

Milwaukee®

Nothing but **HEAVY DUTY**®



M18 FDD **M18 FPD**

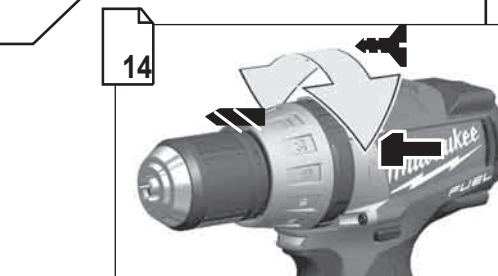
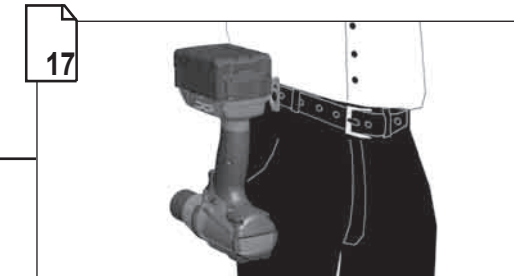
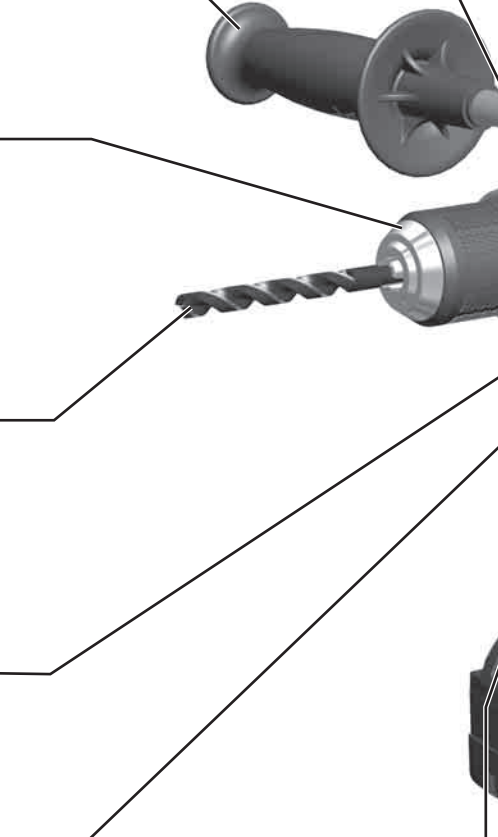
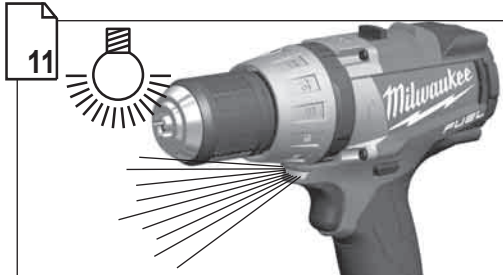
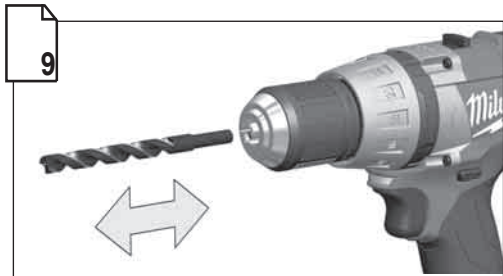
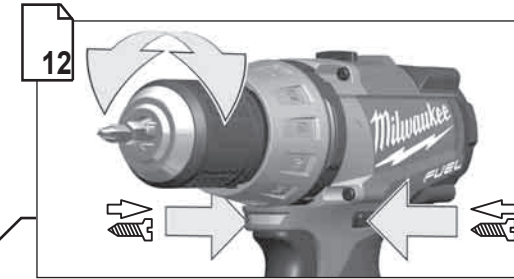
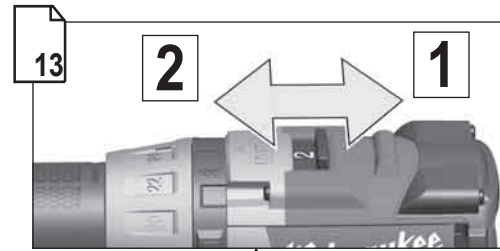
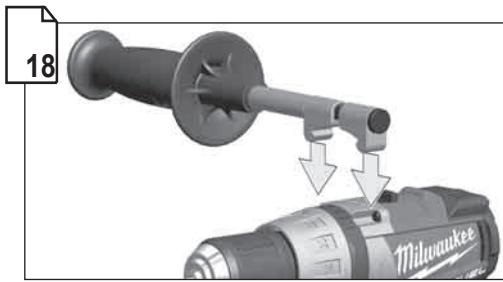
Original instructions
Originalbetriebsanleitung
Notice originale
Istruzioni originali
Manual original
Oorspronkelijke
gebruiksaanwijzing
Original brugsanvisning
Original bruksanvisning
Bruksanvisning i original
Alkuperäiset ohjeet

Πρωτότυπο οδηγιών χρήσης
Orijinal işletme talimatı
Původním návodem k
používání
Pôvodný návod na použitie
Instrukcją oryginalną
Eredeti használati utasítás
Izvirna navodila
Originalne pogonske upute
Instrukcijām oriģinālvadōā
Originalni instrukcija

Algupärane kasutusjuhend
Оригинальное руководство
по эксплуатации
Оригинално ръководство за
експлоатация
Instrucțiuni de folosire
originale
Оригинален прирачник за
работа
Оригінал інструкції з
експлуатації
التعليمات الأصلية

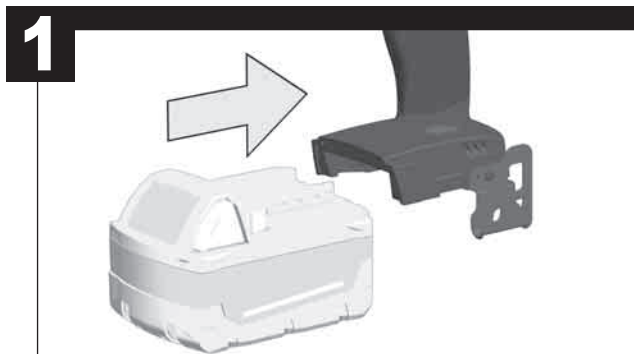
ENGLISH		Picture section with operating description and functional description	4
DEUTSCH		Bildteil mit Anwendungs- und Funktionsbeschreibungen	4
FRANÇAIS		Partie imagée avec description des applications et des fonctions	4
ITALIANO		Sezione illustrata con descrizione dell'applicazione e delle funzioni	4
ESPAÑOL		Sección de ilustraciones con descripción de aplicación y descripción funcional	4
PORTUGUES		Parte com imagens explicativas contendo descrição operacional e funcional	4
NEDERLANDS		Beeldgedeelte met toepassings- en functiebeschrijvingen	4
DANSK		Billedel med anvendelses- og funktionsbeskrivelser	4
NORSK		Billedel med bruks- og funksjonsbeskrivelse	4
SVENSKA		Bilddel med användnings- och funktionsbeskrivning	4
SUOMI		Kuvasivut käyttö- ja toimintakuvaukset	4
ΕΛΛΗΝΙΚΑ		Τμήμα εικόνων με περιγραφές χρήσης και λειτουργίας	4
TÜRKÇE		Resim bölümü Uygulama ve fonksiyon açıklamaları ile birlikte	4
ČESKY		Obrazová část s popisem aplikací a funkcí	4
SLOVENSKY		Obrazová část s popisom aplikácií a funkcií	4
POLSKI		Część rysunkowa z opisami zastosowania i działania	4
MAGYAR		Képes részalkalmazási- és működési leírásokkal	4
SLOVENSKO		Del slike z opisom uporabe in funkcij	4
HRVATSKI		Dio sa slikama opisima primjene i funkcija	4
LATVISKI		Attēla daļa ar lietošanas un funkciju aprakstiem	4
LIETUVIŠKAI		Paveikslėlio dalis su vartojimo instrukcija ir funkcijų aprašymais	4
EESTI		Pildiosa kasutusjuhendi ja funktsioonide kirjeldusega	4
РУССКИЙ		Раздел иллюстраций с описанием эксплуатации и функций	4
БЪЛГАРСКИ		Част със снимки с описания за приложение и функции	4
ROMÂNIA		Secvența de imagine cu descrierea utilizării și a funcționării	4
МАКЕДОНСКИ		Дел со слики со описи за употреба и функционирање	4
УКРАЇНСЬКА		Частина з зображеннями з описом робіт та функцій	4
عربي		قسم الصور يوجد به الوصف التشغيلي والوظيفي	4

Text section with Technical Data, important Safety and Working Hints and description of Symbols	20
Textteil mit Technischen Daten, wichtigen Sicherheits- und Arbeitshinweisen und Erklärung der Symbole.	22
Partie textuelle avec les données techniques, les consignes importantes de sécurité et de travail ainsi que l'explication des pictogrammes.	24
Sezione testo con dati tecnici, importanti informazioni sulla sicurezza e sull'utilizzo, spiegazione dei simboli.	26
Sección de texto con datos técnicos, indicaciones importantes de seguridad y trabajo y explicación de los símbolos.	28
Parte com texto explicativo contendo Especificações técnicas, Avisos de segurança e de operação e a Descrição dos símbolos.	30
Tekstgedeelte met technische gegevens, belangrijke veiligheids- en arbeidsinstructies en verklaring van de symbolen.	32
Tekstdel med tekniske data, vigtige sikkerheds- og arbejdsanvisninger og symbolforklaring.	34
Tekstdel med tekniske data, viktige sikkerhets- og arbeidsinstruksjoner og forklaring av symbolene.	36
Tekstdel med tekniska informationer, viktiga säkerhets- och användningsinstruktioner samt symbolförklaringar.	38
Tekstisivut: tekniset tiedot, tärkeät turvallisuus- ja työskentelyohjeet sekä merkien selitykset.	40
Τμήμα κειμένου με τεχνικά χαρακτηριστικά, σημαντικές υποδείξεις ασφαλείας και εργασίας και εξήγηση των συμβόλων.	42
Teknik bilgileri, önemli güvenlik ve çalışma açıklamalarını ve de sembollerin açıklamalarını içeren metin bölümü.	44
Textová část s technickými daty, důležitými bezpečnostními a pracovními pokyny a s vysvětlivkami symbolů	46
Textová část s technickými datami, důležitými bezpečnostními a pracovními pokyny a s vysvětlivkami symbolů	48
Część opisowa z danymi technicznymi, ważnymi wskazówkami dotyczącymi bezpieczeństwa i pracy oraz objaśnieniami symboli.	50
Szöveges rész műszaki adatokkal, fontos biztonsági- és munkavégzési útmutatásokkal, valamint a szimbólumok magyarázata.	52
Del besedila s tehničnimi podatki, pomembnimi varnostnimi opozorili in delovnimi navodili in pojasnili simbolov.	54
Dio štiva sa tehničkim podacima, važnim sigurnosnim i radnim uputama i objašnjenjem simbola.	56
Teksta daļa ar tehnikajiem parametriem, svarīgiem drošības un darbības norādījumiem, simbolu atšifrējumiem.	58
Teksto dalis su techniniais duomenimis, svarbiomis saugumo ir darbo instrukcijomis bei simbolių paaiškinimais.	60
Tekstiosa tehniliste näitajate, oluliste ohutus- ja tööjuhenditega ning sümbolite kirjeldustega.	62
Текстовый раздел, включающий технические данные, важные рекомендации по безопасности и эксплуатации, а также описание используемых символов.	64
Част с текст с технически данни, важни указания за безопасност и работа и разяснение на символите.	67
Porțiune de text cu date tehnice, indicații importante privind siguranța și modul de lucru și descrierea simbolurilor.	69
Текстуален дел со Технички карактеристики, важни безбедносни и работни упатства и објаснување на симболите.	71
Текстова частина з техничними даними, важливими вказівками з техніки безпеки та експлуатації і поясненням символів.	73
القسم النصي المزود بالبيانات الفنية والنصائح الهامة للسلامة والعمل ووصف الرموز	79



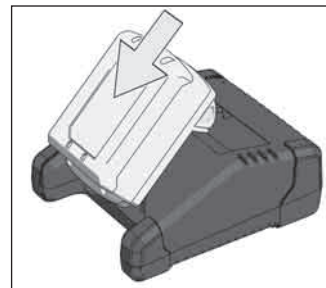
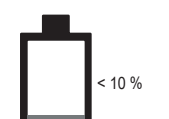
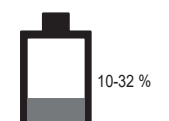
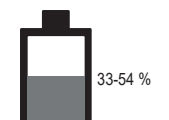
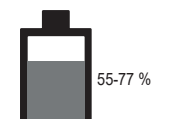
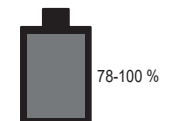
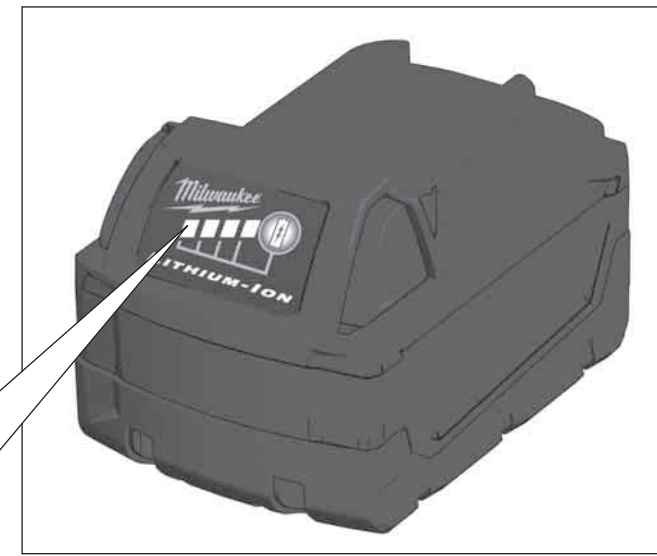
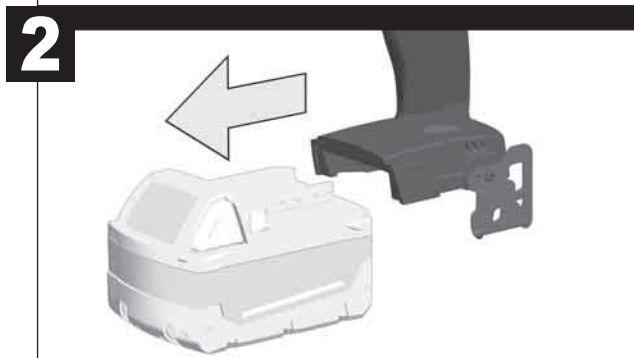
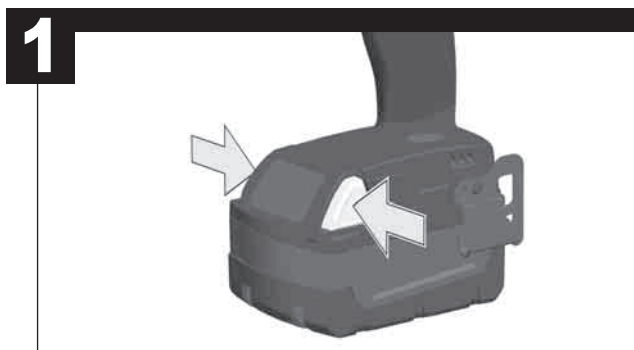
Remove the battery pack before starting any work on the machine.
 Vor allen Arbeiten an der Maschine den Wechselakku herausnehmen.
 Avant tous travaux sur la machine retirer l'acco interchangeable.
 Prima di iniziare togliere la batteria dalla macchina.
 Retire la batería antes de comenzar cualquier trabajo en la máquina.
 Antes de efectuar cualquier intervención en la máquina retirar o bloco acumulador.
 Voor alle werkzaamheden aan de machine de accu verwijderen.
 Ved arbejde inden i maskinen, bør batteriet tages ud.
 Ta ut vekselbatteriet før du arbeider på maskinen.
 Drag ur batteripaket innan arbete utföres på maskinen.
 Ota akku pois ennen kaikkia koneeseen tehtäviä toimenpiteitä.
 Πριν από κάθε εργασία στην μηχανή αφαιρέστε την ανταλλάκτικη μπαταρία.
 Aletin kendidse bir çalıřma yapmadan önce kartuşu akitüyü çıkarın.
 Před zahájením veřkerých prací na vrtacím řroubovákú vjmout vřměnný akumulátor.

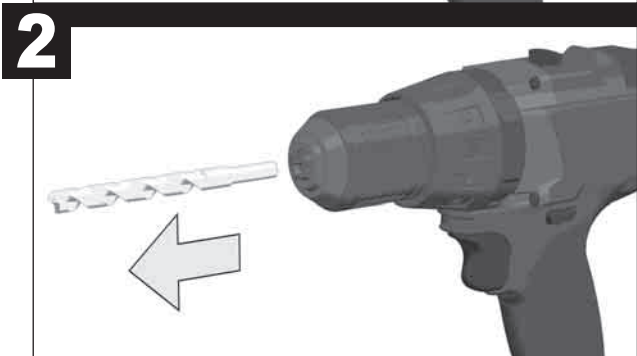
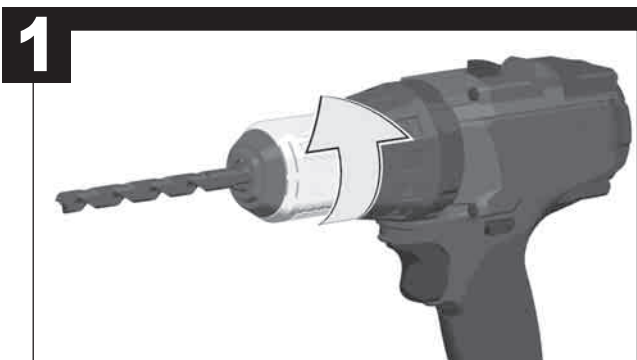
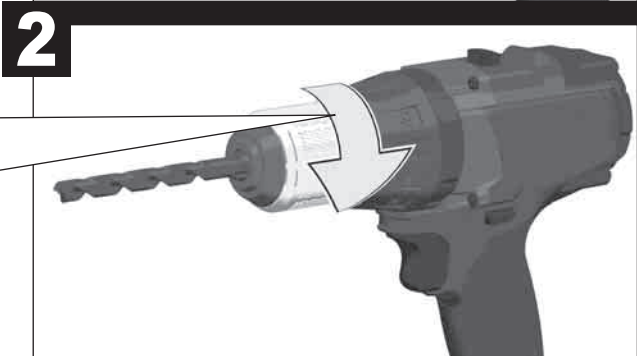
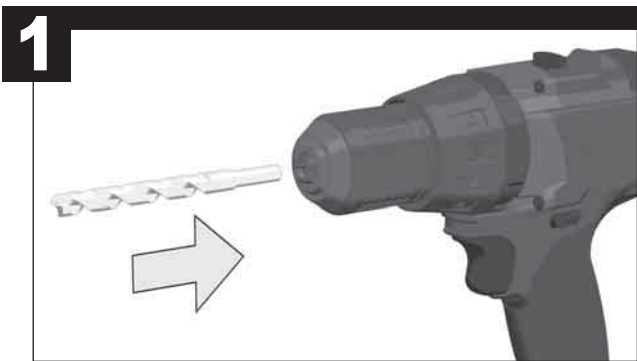
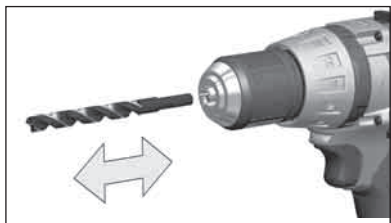
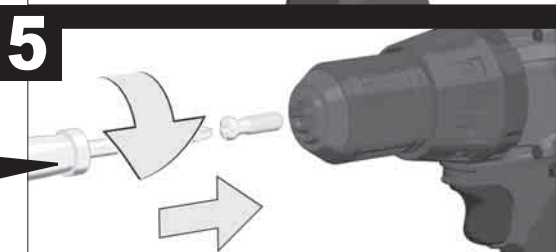
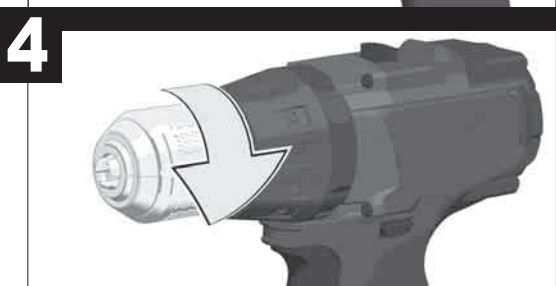
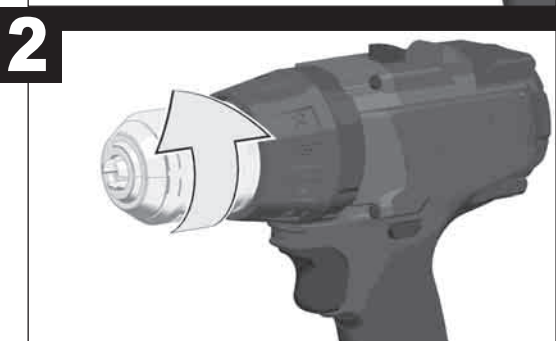
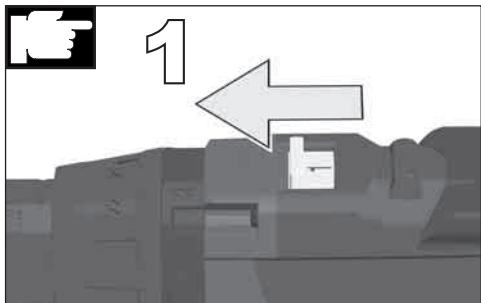
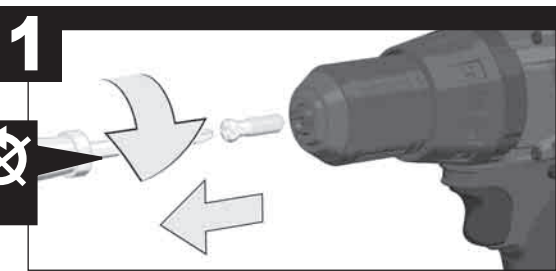
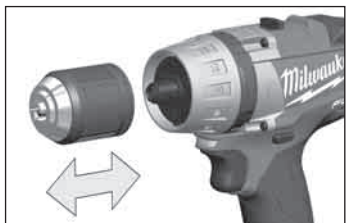
Pred každou pracú na stroji vřměnný akumulátor vytaħnúť.
 Przed przystąpieniem do jakichkolwiek prac na elektronarzędziu naleŹy wyjàć wkładkę akumulatową.
 Karbantartás, javítás, tisztítás, stb. elótt az akkumulátort ki kell venni a készülékból.
 Pred delú na stroju izvečite izmenljiví akumulátor.
 Prije svih radova na stroju izvadite bateriju za zamjenu.
 Pirms mařinai veikt jebkādu veida apkopes darbus, ir jāņem ārā akumulātors.
 Prieš atkaidami bet kokius darbus įenginyje, išimkite keičiamą akumulatorių.
 Enne kõiki töid masina kallal võtke vahetatav akku välja.
 Выньте аккумулятор из машины перед проведением с ней каких-либо манипуляций.
 Predi započevane na kavito e da e работи по машината извадете акумулатора.
 İnderpartaj acumulatorul înainte de încercarea lucrului pe mařina.
 Отстранете ја батеријата пред да започнете да ја користите машината.
 Перед будь-якими роботами на машині виняті змінну акумуляторну батарею.
 قه بزل له حزمه البطارية قبل البدء في أي أصل على الجهاز.

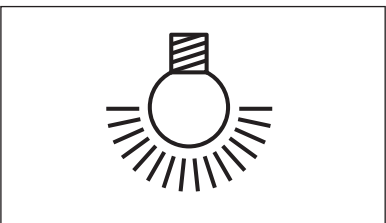


Remove the battery pack before starting any work on the machine.
Vor allen Arbeiten an der Maschine den Wechselakku herausnehmen
Avant tous travaux sur la machine retirer l'accu interchangeable.

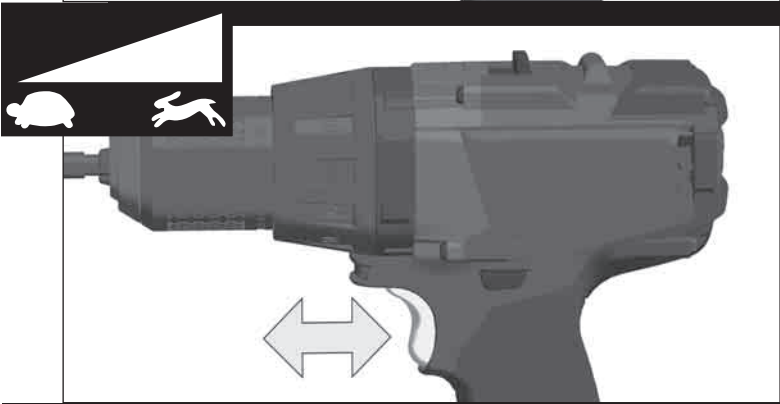
Prima di iniziare togliere la batteria dalla macchina.
Retire la batería antes de comenzar cualquier trabajo en la máquina.
Antes de efectuar cualquier intervención na máquina retirar o bloco acumulador.
Voor alle werkzaamheden aan de machine de akku verwijderen.
Ved arbejde inden i maskinen, bør batteriet tages ud.
Ta ut veskelt batteriet før du arbeider på maskinen
Drag ur batteripaket innan arbete utföres på maskinen.
Ota akku pois ennen kaikkia koneeseen tehtäviä toimenpiteitä.
Πριν από κάθε εργασία στη μηχανή αφαιρέστε την ανταλλακτική μπαταρία.
Aletin kendinde bir çalışma yapmadan önce kartuş aküyü çıkarın.
Před zahájením veškerých prací na vrtacím šroubovákú vyjmout výměnný akumulátor.
Pred každou prácou na stroji výmenný akumulátor vytiahnuť.
Przed przystąpieniem do jakichkolwiek prac na elektronarzędziu należy wyjąć wkładkę akumulatorową.
Karbantartás, javítás, tisztítás, stb. előtt az akkumulátort ki kell venni a készülékből.
Pred deli na stroju izvlécite izmenljivi akumulator.
Prije svih radova na stroju izvaditi bateriju za zamjenu.
Pirms mašīnai veikt jebkāda veida apkopes darbus, ir jāizņem arī akumulators.
Prieš atlikdami bet kokius darbus įrenginyje, išimkite keičiamą akumuliatorių.
Enne kõiki töid masina kallal võtke vahetatav ak välja.
Выньте аккумулятор из машины перед проведением с ней каких-либо манипуляций.
Преді започване на каквито е да работи по машината извадете акумулатора.
İnderpártajı acumulatorul înainte de începerea lucrului pe mașina
Отстранете ја батеријата пред да започнете да ја користите машината.
Перед будь-якими роботами на машині ви́яняти змінну акумуляторну батарею.
قم بإزالة حزمة البطارية قبل البدء في أي أعمال على الجهاز.



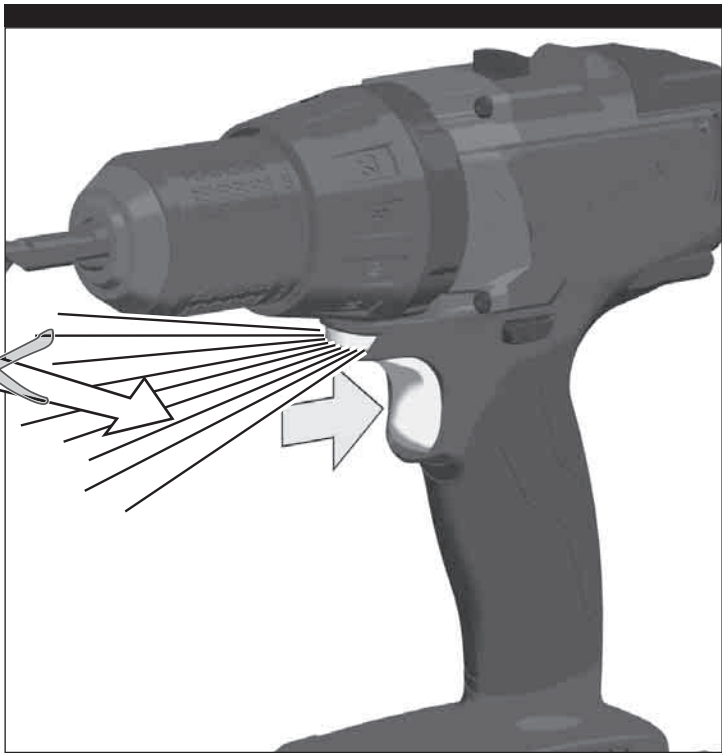
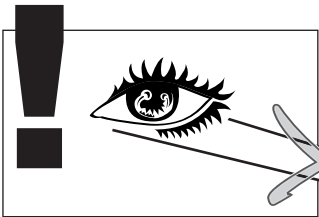


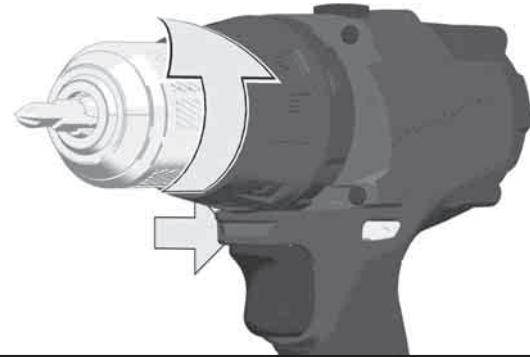
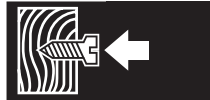
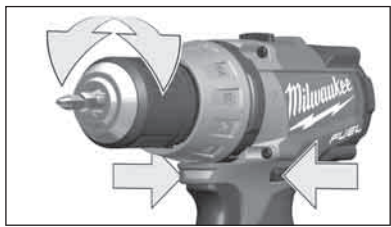


START

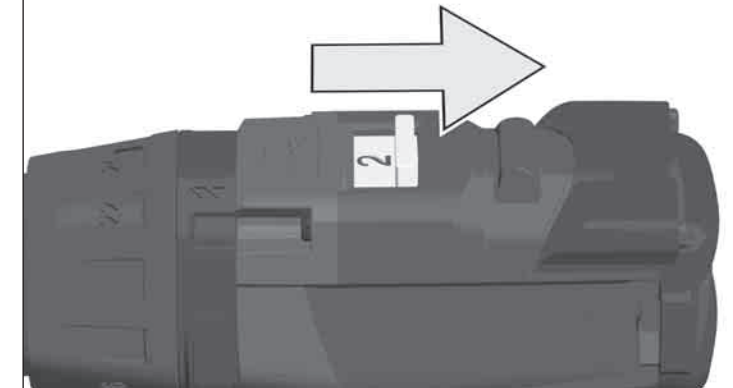
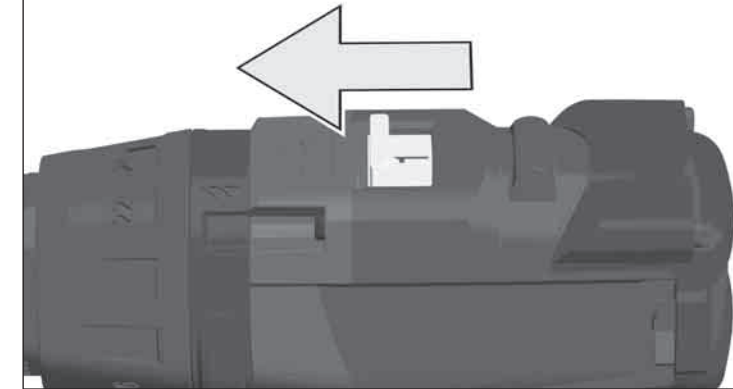
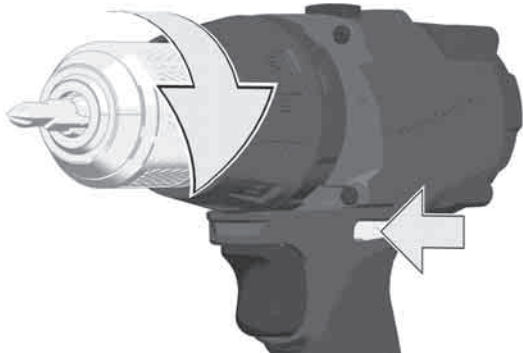
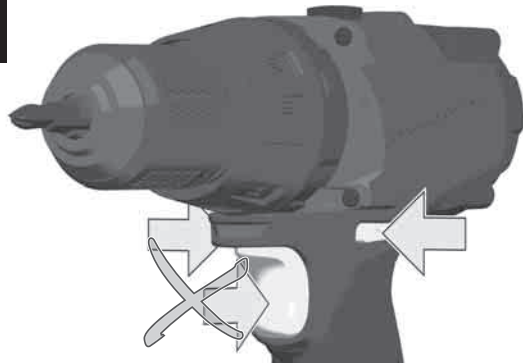


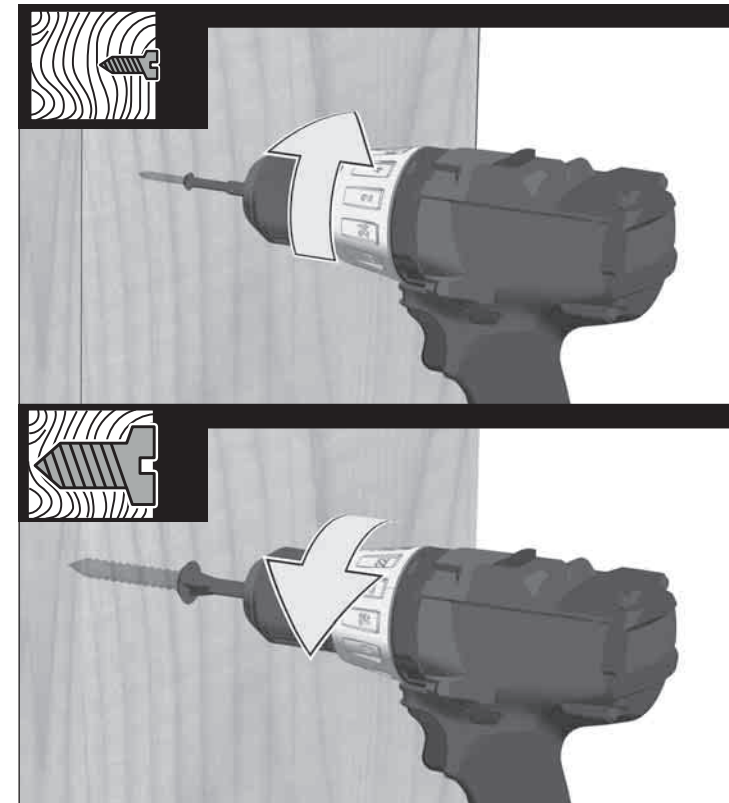
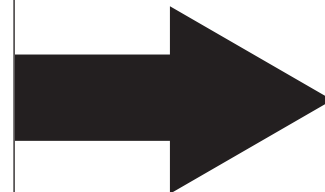
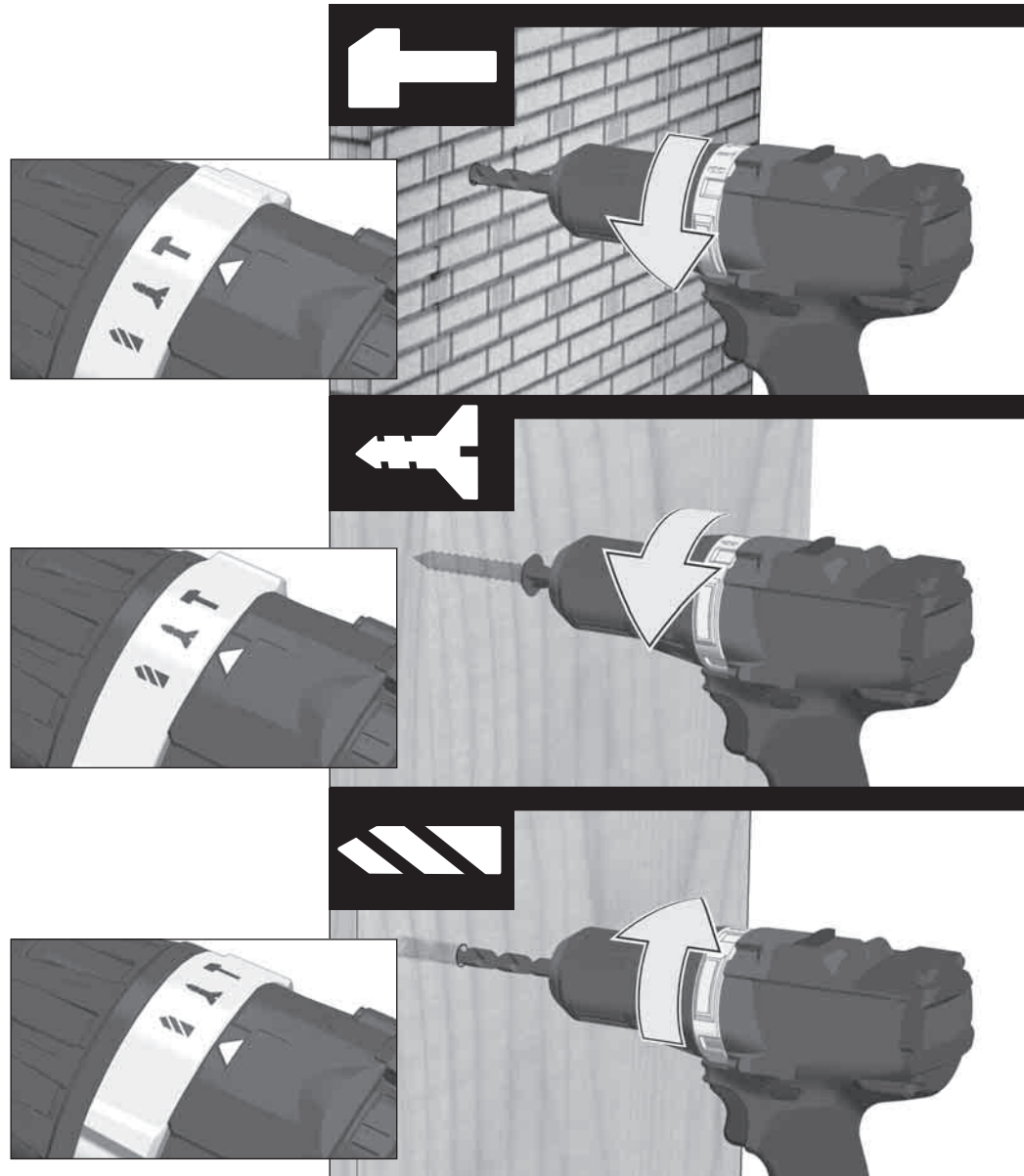
STOP

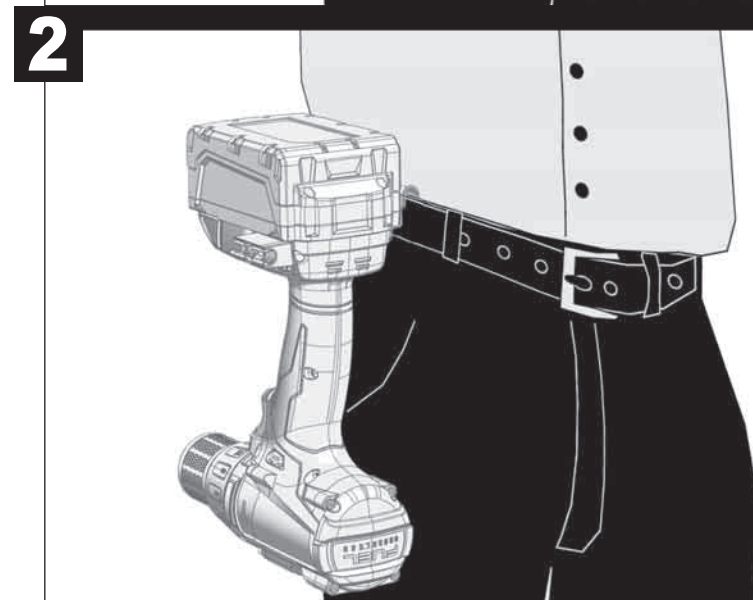
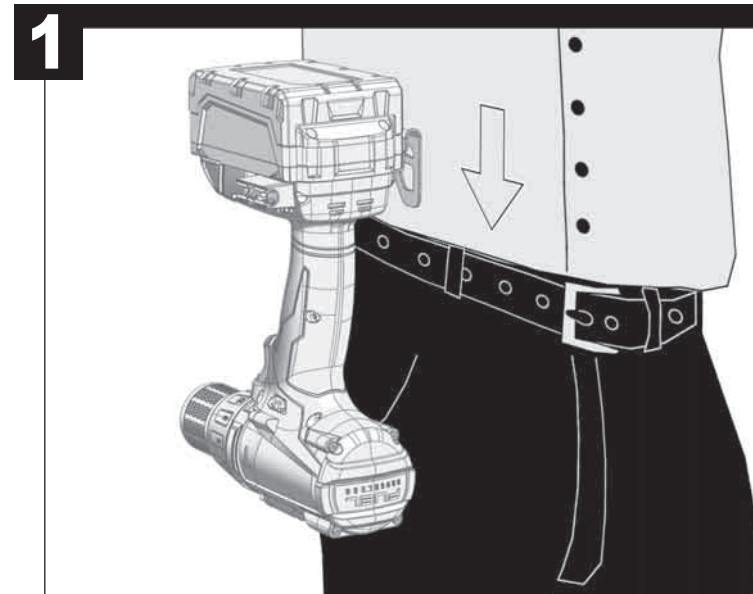
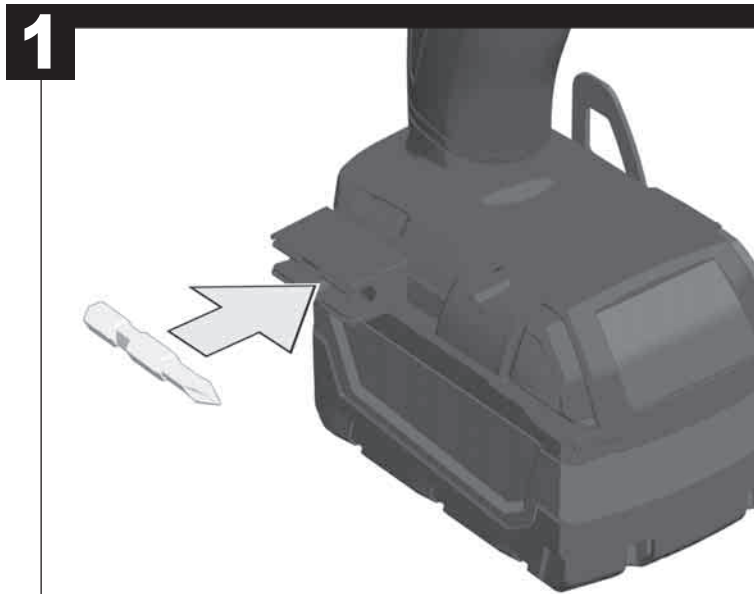
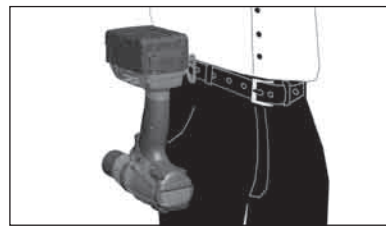


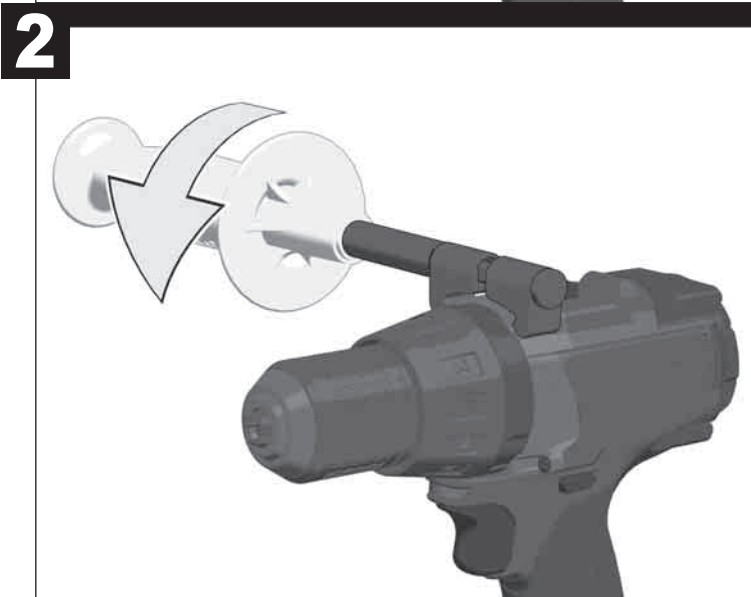
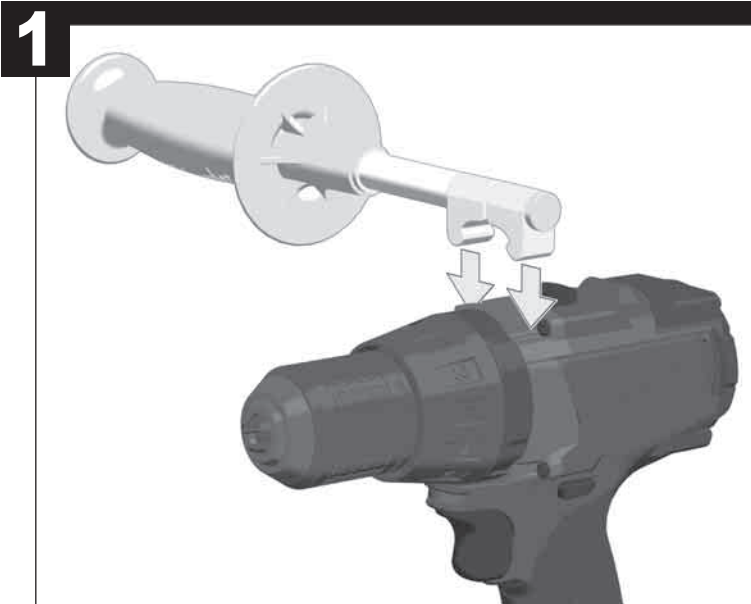
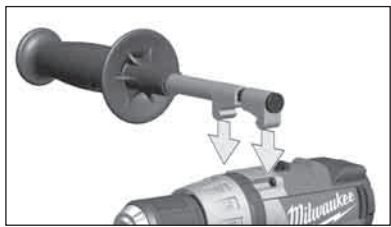


LOCK









TECHNICAL DATA	CORDLESS PERCUSSION DRILL/DRIVER	M18 FDD	M18 FPD
Production code.....	4524 89 03.....	4524 79 03...	4524 79 03...
	...000001-999999	...000001-999999	...000001-999999
Drilling capacity in steel.....	13 mm.....	13 mm	13 mm
Drilling capacity in wood.....	45 mm.....	45 mm	45 mm
Drilling capacity in brick and tile.....	13 mm.....	13 mm	13 mm
Wood screws (without pre-drilling).....	10 mm.....	10 mm	10 mm
No-load speed 1st gear.....	0-550 min ⁻¹	0-550 min ⁻¹	0-550 min ⁻¹
No-load speed 2nd gear.....	0-2000 min ⁻¹	0-2000 min ⁻¹	0-2000 min ⁻¹
Impact rate 1st gear.....	0-8800 min ⁻¹	0-8800 min ⁻¹	0-8800 min ⁻¹
Impact rate 2nd gear.....	0-32000 min ⁻¹	0-32000 min ⁻¹	0-32000 min ⁻¹
Torque with battery (5.0 Ah) *1.....	135 Nm.....	135 Nm	135 Nm
Battery voltage.....	18 V.....	18 V	18 V
Drill chuck range.....	1,5-13 mm.....	1,5-13 mm	1,5-13 mm
Weight according EPTA-Procedure 01/2003 (2.0 Ah).....	2,3 kg.....	2,3 kg	2,3 kg
Weight according EPTA-Procedure 01/2003 (5.0 Ah).....	2,5 kg.....	2,5 kg	2,5 kg

Noise/vibration information

Measured values determined according to EN 60 745.

Typically, the A-weighted noise levels of the tool are:

Sound pressure level (Uncertainty K=3dB(A)).....	74,5 dB (A).....	99,9 dB (A)
Sound power level (Uncertainty K=3dB(A)).....	85,5 dB (A).....	110,9 dB (A)

Always wear ear protectors!

Total vibration values (vector sum in the three axes) determined according to EN 60745.

Vibration emission value a_v

Percussion drilling into concrete.....	13,2 m/s ²	13,2 m/s ²
Uncertainty K=.....	1,5 m/s ²	1,5 m/s ²
Drilling into metal.....	1,29 m/s ²	1,29 m/s ²
Uncertainty K=.....	1,5 m/s ²	1,5 m/s ²
Screwing.....	1,33 m/s ²	1,33 m/s ²
Uncertainty K=.....	1,5 m/s ²	1,5 m/s ²

*1 Measured according to Milwaukee standard N 877318

WARNING

The vibration emission level given in this information sheet has been measured in accordance with a standardised test given in EN 60745 and may be used to compare one tool with another. It may be used for a preliminary assessment of exposure.

The declared vibration emission level represents the main applications of the tool. However if the tool is used for different applications, with different accessories or poorly maintained, the vibration emission may differ. This may significantly increase the exposure level over the total working period.

An estimation of the level of exposure to vibration should also take into account the times when the tool is switched off or when it is running but not actually doing the job. This may significantly reduce the exposure level over the total working period.

Identify additional safety measures to protect the operator from the effects of vibration such as: maintain the tool and the accessories, keep the hands warm, organisation of work patterns.

⚠ WARNING! Read all safety warnings and all instructions.

Failure to follow the warnings and instructions may result in electric shock, fire and/or serious injury.

Save all warnings and instructions for future reference.

⚠ DRILL SAFETY WARNINGS

Wear ear protectors. Exposure to noise can cause hearing loss.

Use auxiliary handle(s), if supplied with the tool. Loss of control can cause personal injury.

Hold power tool by insulated gripping surfaces, when performing an operation where the cutting accessory may contact hidden wiring.

Cutting accessory contacting a "live" wire may make exposed metal parts of the power tool "live" and could give the operator an electric shock.

⚠ SCREWDRIVER SAFETY WARNINGS

Hold power tool by insulated gripping surfaces, when performing an operation where the fastener may contact hidden wiring.

Fasteners contacting a "live" wire may make exposed metal parts of the power tool "live" and could give the operator an electric shock.

ADDITIONAL SAFETY AND WORKING INSTRUCTIONS

Use protective equipment. Always wear safety glasses when working with the machine. The use of protective clothing is recommended, such as dust mask, protective gloves, sturdy non-slip footwear, helmet and ear defenders.

The dust produced when using this tool may be harmful to health. Do not inhale the dust. Wear a suitable dust protection mask.

Do not machine any materials that present a danger to health (e.g. asbestos).

Switch the device off immediately if the insertion tool stalls! Do not switch the device on again while the insertion tool is stalled, as doing so could trigger a sudden recoil with a high reactive force. Determine why the insertion tool stalled and rectify this, paying heed to the safety instructions.

The possible causes may be:

- it is tilted in the workpiece to be machined
- it has pierced through the material to be machined
- the power tool is overloaded

Do not reach into the machine while it is running.

The insertion tool may become hot during use.

- when changing tools
- when setting the device down

Sawdust and splinters must not be removed while the machine is running.

When working in walls ceiling, or floor, take care to avoid electric cables and gas or waterpipes.

Clamp your workpiece with a clamping device. Unclamped workpieces can cause severe injury and damage.

Remove the battery pack before starting any work on the machine.

Do not dispose of used battery packs in the household refuse or by burning them. Milwaukee Distributors offer to retrieve old batteries to protect our environment.

Do not store the battery pack together with metal objects (short circuit risk).

Use only System M18 chargers for charging System M18 battery packs. Do not use battery packs from other systems.

Never break open battery packs and chargers and store only in dry rooms. Keep dry at all times.

Battery acid may leak from damaged batteries under extreme load or extreme temperatures. In case of contact with battery acid wash it off immediately with soap and water. In case of eye contact rinse thoroughly for at least 10 minutes and immediately seek medical attention.

Warning! To reduce the risk of fire, personal injury, and product damage due to a short circuit, never immerse your tool, battery pack or charger in fluid or allow a fluid to flow inside them. Corrosive or conductive fluids, such as seawater, certain industrial chemicals, and bleach or bleach containing products, etc., can cause a short circuit.

SPECIFIED CONDITIONS OF USE

M18 FDD: The battery drill/screwdriver may be used for drilling and screwdriving for independent use away from mains supply.

M18 FPD: The electronic battery percussion drill/screwdriver may be used for drilling, percussion drilling, as well as screwdriving for independent use away from mains supply.

Do not use this product in any other way as stated for normal use.

EC-DECLARATION OF CONFORMITY

We declare under our sole responsibility that the product described under "Technical Data" fulfills all the relevant regulations and the directives 2011/65/EU (RoHS), 2014/30/EU, 2006/42/EC, and the following harmonized standards have been used:

EN 60745-1:2009 + A11:2010
 EN 60745-2-2:2010
 EN 55014-1:2006 + A1:2009 + A2:2011
 EN 55014-2:2015
 EN 50581:2012

Winnenden, 2017-11-30



Alexander Krug
 Managing Director

Authorized to compile the technical file.

Techtronic Industries GmbH
 Max-Eyth-Straße 10
 71364 Winnenden
 Germany



BATTERIES

Battery packs which have not been used for some time should be recharged before use.

Temperatures in excess of 50°C (122°F) reduce the performance of the battery pack. Avoid extended exposure to heat or sunshine (risk of overheating).

The contacts of chargers and battery packs must be kept clean.

For an optimum life-time, after use, the battery packs have to be fully charged.

To obtain the longest possible battery life remove the battery pack from the charger once it is fully charged.

For battery pack storage longer than 30 days:
 Store the battery pack where the temperature is below 27°C and away from moisture

Store the battery packs in a 30% - 50% charged condition
 Every six months of storage, charge the pack as normal.

BATTERY PACK PROTECTION

In extremely high torque, binding, stalling and short circuit situations that cause high current draw, the tool will vibrate for about 2 seconds and then the tool will turn OFF.

To reset, release the trigger.

Under extreme circumstances, the internal temperature of the battery could become too high. If this happens, the battery will shut down. Place the battery on the charger to charge and reset it.

TRANSPORTING LITHIUM BATTERIES

Lithium-ion batteries are subject to the Dangerous Goods Legislation requirements.

Transportation of those batteries has to be done in accordance with local, national and international provisions and regulations.

- The user can transport the batteries by road without further requirements.
- Commercial transport of Lithium-Ion batteries by third parties is subject to Dangerous Goods regulations. Transport preparation and transport are exclusively to be carried out by appropriately trained persons and the process has to be accompanied by corresponding experts.

When transporting batteries:

- Ensure that battery contact terminals are protected and insulated to prevent short circuit.
- Ensure that battery pack is secured against movement within packaging.
- Do not transport batteries that are cracked or leak.

Check with forwarding company for further advice

INTENANCE

Use only Milwaukee accessories and spare parts. Should components need to be replaced which have not been described, please contact one of our Milwaukee service agents (see our list of guarantee/service addresses).

If needed, an exploded view of the tool can be ordered. Please state the machine type printed as well as the six-digit No. on the label and order the drawing at your local service agents or directly at: Techtronic Industries GmbH, Max-Eyth-Straße 10, 71364 Winnenden, Germany.

SYMBOLS



CAUTION! WARNING! DANGER!



Always disconnect the plug from the socket before carrying out any work on the machine.



Please read the instructions carefully before starting the machine.



Do not dispose electric tools, batteries/rechargeable batteries together with household waste material.

Electric tools and batteries that have reached the end of their life must be collected separately and returned to an environmentally compatible recycling facility. Check with your local authority or retailer for recycling advice and collection point.



European Conformity Mark



National mark of conformity Ukraine



EurAsian Conformity Mark.

TECHNISCHE DATEN	AKKU-SCHLAGBOHRSCHRAUBER	M18 FDD	M18 FPD
Produktionsnummer	4524 89 03.....	4524 79 03...	4524 79 03...
	...000001-999999	...000001-999999	...000001-999999
Bohr-Ø in Stahl.....	13 mm	13 mm	13 mm
Bohr-Ø in Holz.....	45 mm	45 mm	45 mm
Bohr-Ø in Ziegel und Kalksandstein.....	13 mm	13 mm	13 mm
Holzschrauben (ohne Vorbohren).....	10 mm	10 mm	10 mm
Leerlaufdrehzahl 1.Gang.....	0-550 min ⁻¹	0-550 min ⁻¹	0-550 min ⁻¹
Leerlaufdrehzahl 2.Gang.....	0-2000 min ⁻¹	0-2000 min ⁻¹	0-2000 min ⁻¹
Schlagzahl 1.Gang.....	0-8800 min ⁻¹	0-8800 min ⁻¹	0-8800 min ⁻¹
Schlagzahl 2.Gang.....	0-32000 min ⁻¹	0-32000 min ⁻¹	0-32000 min ⁻¹
Drehmoment *1 (5,0 Ah).....	135 Nm	135 Nm	135 Nm
Spannung Wechselakku.....	18 V	18 V	18 V
Bohrfutterspannbereich.....	1,5-13 mm	1,5-13 mm	1,5-13 mm
Gewicht nach EPTA-Prozedur 01/2003 (2,0 Ah).....	2,3 kg	2,3 kg	2,3 kg
Gewicht nach EPTA-Prozedur 01/2003 (5,0 Ah).....	2,5 kg	2,5 kg	2,5 kg

Geräusch/Vibrationsinformation

Messwerte ermittelt entsprechend EN 60 745.

Der A-bewertete Geräuschpegel des Gerätes beträgt typischerweise:

Schalldruckpegel (Unsicherheit K=3dB(A)).....	74,5 dB (A)	99,9 dB (A)
Schalleistungspegel (Unsicherheit K=3dB(A)).....	85,5 dB (A)	110,9 dB (A)

Gehörschutz tragen!

Schwingungsgesamtwerte (Vektorsumme dreier Richtungen) ermittelt entsprechend EN 60745.

Schwingungsemissionswert a_h

Schlagbohren in Beton.....	-	13,2 m/s ²
Unsicherheit K =	1,5 m/s ²
Bohren in Metall.....	1,29 m/s ²	1,29 m/s ²
Unsicherheit K =	1,5 m/s ²
Schrauben.....	1,33 m/s ²	1,33 m/s ²
Unsicherheit K =	1,5 m/s ²

*1 Gemessen nach Milwaukee Standard N 877318

WARNUNG

Der in diesen Anweisungen angegebene Schwingungspegel ist entsprechend einem in EN 60745 genormten Messverfahren gemessen worden und kann für den Vergleich von Elektrowerkzeugen miteinander verwendet werden. Er eignet sich auch für eine vorläufige Einschätzung der Schwingungsbelastung.

Der angegebene Schwingungspegel repräsentiert die hauptsächlichsten Anwendungen des Elektrowerkzeugs. Wenn allerdings das Elektrowerkzeug für andere Anwendungen, mit abweichenden Einsatzwerkzeugen oder ungenügender Wartung eingesetzt wird, kann der Schwingungspegel abweichen. Dies kann die Schwingungsbelastung über den gesamten Arbeitszeitraum deutlich erhöhen.

Für eine genaue Abschätzung der Schwingungsbelastung sollten auch die Zeiten berücksichtigt werden, in denen das Gerät abgeschaltet ist oder zwar läuft, aber nicht tatsächlich im Einsatz ist. Dies kann die Schwingungsbelastung über den gesamten Arbeitszeitraum deutlich reduzieren.

Legen Sie zusätzliche Sicherheitsmaßnahmen zum Schutz des Bedieners vor der Wirkung von Schwingungen fest wie zum Beispiel: Wartung von Elektrowerkzeug und Einsatzwerkzeugen, Warmhalten der Hände, Organisation der Arbeitsabläufe.

⚠️ WARNUNG! Lesen Sie alle Sicherheitshinweise und Anweisungen.

Versäumnisse bei der Einhaltung der Sicherheitshinweise und Anweisungen können elektrischen Schlag, Brand und/oder schwere Verletzungen verursachen.

Bewahren Sie alle Sicherheitshinweise und Anweisungen für die Zukunft auf.

⚠️ SICHERHEITSHINWEISE FÜR BOHRMASCHINEN

Tragen Sie Gehörschutz. Die Einwirkung von Lärm kann Gehörverlust bewirken.

Benutzen Sie die mit dem Gerät gelieferten Zusatzhandgriffe, wenn diese mitgeliefert werden. Der Verlust der Kontrolle kann zu Verletzungen führen.

Halten Sie das Gerät an den isolierten Griffflächen, wenn Sie Arbeiten ausführen, bei denen das Einsatzwerkzeug verborgene Stromleitungen treffen kann. Der Kontakt mit einer spannungsführenden Leitung kann auch metallene Geräteteile unter Spannung setzen und zu einem elektrischen Schlag führen.

⚠️ SICHERHEITSHINWEISE FÜR SCHRAUBER

Halten Sie das Gerät an den isolierten Griffflächen, wenn Sie Arbeiten ausführen, bei denen die Schraube verborgene Stromleitungen treffen kann. Der Kontakt der Schraube mit einer spannungsführenden Leitung kann metallene Geräteteile unter Spannung setzen und zu einem elektrischen Schlag führen.

WEITERE SICHERHEITS- UND ARBEITSHINWEISE

Schutzrüstung verwenden. Beim Arbeiten mit der Maschine stets Schutzkleidung tragen. Schutzkleidung wie Staubschutzmaske, Schutzhandschuhe, festes und rutschsicheres Schuhwerk, Helm und Gehörschutz werden empfohlen.

Beim Arbeiten entstehender Staub ist oft gesundheitsschädlich und sollte nicht in den Körper gelangen. Geeignete Staubschutzmaske tragen.

Es dürfen keine Materialien bearbeitet werden, von denen eine Gesundheitsgefährdung ausgeht (z.B. Asbest).

Beim Blockieren des Einsatzwerkzeuges bitte das Gerät sofort ausschalten! Schalten Sie das Gerät nicht wieder ein, solange das Einsatzwerkzeug blockiert ist; hierbei könnte ein Rückschlag mit hohem Reaktionsmoment entstehen. Ermitteln und beheben Sie die Ursache für die Blockierung des Einsatzwerkzeuges unter Berücksichtigung der Sicherheitshinweise.

Mögliche Ursachen dafür können sein:

- Verkranten im zu bearbeitenden Werkstück
- Durchbrechen des zu bearbeitenden Materials
- Überlasten des Elektrowerkzeuges

Greifen Sie nicht in die laufende Maschine.

Das Einsatzwerkzeug kann während der Anwendung heiß werden.

WARNUNG! Verbrennungsgefahr

- bei Werkzeugwechsel
- bei Ablegen des Gerätes

Späne oder Splitter dürfen bei laufender Maschine nicht entfernt werden.

Beim Arbeiten in Wand, Decke oder Fußboden auf elektrische Kabel, Gas- und Wasserleitungen achten.

Sichern Sie Ihr Werkstück mit einer Spannvorrichtung. Nicht gesicherte Werkstücke können schwere Verletzungen und Beschädigungen verursachen.

Vor allen Arbeiten an der Maschine den Wechselakku herausnehmen

Verbrauchte Wechselakkus nicht ins Feuer oder in den Hausmüll werfen. Milwaukee bietet eine umweltgerechte Alt-Wechselakku-Entsorgung an; bitte fragen Sie Ihren Fachhändler.

Wechselakku nicht zusammen mit Metallgegenständen aufbewahren (Kurzschlussgefahr).

Wechselakkus des Systems M18 nur mit Ladegeräten des Systems M18 laden. Keine Akkus aus anderen Systemen laden.

Wechselakkus und Ladegeräte nicht öffnen und nur in trockenen Räumen lagern. Vor Nässe schützen.

Unter extremer Belastung oder extremer Temperatur kann aus beschädigten Wechselakkus Batterieflüssigkeit auslaufen. Bei Berührung mit Batterieflüssigkeit sofort mit Wasser und Seife abwaschen. Bei Augenkontakt sofort mindestens 10 Minuten gründlich spülen und unverzüglich einen Arzt aufsuchen.

Warnung! Um die durch einen Kurzschluss verursachte Gefahr eines Brandes, von Verletzungen oder Produktbeschädigungen zu vermeiden, tauchen Sie das Werkzeug, den Wechselakku oder das Ladegerät nicht in Flüssigkeiten ein und sorgen Sie dafür, dass keine Flüssigkeiten in die Geräte und Akkus eindringen. Korrodierende oder leitfähige Flüssigkeiten, wie Salzwasser, bestimmte Chemikalien und Bleichmittel oder Produkte, die Bleichmittel enthalten, können einen Kurzschluss verursachen.

BESTIMMUNGSGEMÄSSE VERWENDUNG

M18 FDD: Der Akku-Bohrschrauber ist universell einsetzbar zum Bohren und Schrauben unabhängig von einem Netzanschluss.

M18 FPD: Der Akku-Elektronik-Schlagbohrschrauber ist universell einsetzbar zum Bohren, Schlagbohren und Schrauben unabhängig von einem Netzanschluss.

Dieses Gerät darf nur wie angegeben bestimmungsgemäß verwendet werden.

CE-KONFORMITÄTSERKLÄRUNG

Wir erklären in alleiniger Verantwortung, dass das unter „Technische Daten“ beschriebene Produkt mit allen relevanten Vorschriften der Richtlinie 2011/65/EU (RoHS), 2014/30/EU, 2006/42/EG und den folgenden harmonisierten normativen Dokumenten übereinstimmt:

EN 60745-1:2009 + A11:2010
EN 60745-2:2010
EN 55014-1:2006 + A1:2009 + A2:2011
EN 55014-2:2015
EN 50581:2012

Winnenden, 2017-11-30



Alexander Krug
Managing Director



Bevollmächtigt die technischen Unterlagen zusammenzustellen

Techtronic Industries GmbH
Max-Eyth-Straße 10
71364 Winnenden
Germany

AKKUS

Längere Zeit nicht benutzte Wechselakkus vor Gebrauch nachladen.

Eine Temperatur über 50°C vermindert die Leistung des Wechselakkus. Längere Erwärmung durch Sonne oder Heizung vermeiden.

Die Anschlusskontakte an Ladegerät und Wechselakku sauber halten.

Für eine optimale Lebensdauer müssen nach dem Gebrauch die Akkus voll geladen werden.

Für eine möglichst lange Lebensdauer sollten die Akkus nach dem Aufladen aus dem Ladegerät entfernt werden.

Bei Lagerung des Akkus länger als 30 Tage:

Akku bei ca. 27°C und trocken lagern.

Akku bei ca. 30%-50% des Ladezustandes lagern.

Akku alle 6 Monate erneut aufladen.

AKKUÜBERLASTSCHUTZ

Bei Überlastung des Akkus durch sehr hohen Stromverbrauch, z.B. extrem hohe Drehmomente, Verklemmen des Bohrers, plötzlichem Stopp oder Kurzschluss, brummt das Elektrowerkzeug 2 Sekunden lang und schaltet sich selbsttätig ab. Zum Wiedereinschalten, den Schalterdrücker loslassen und dann wieder einschalten.

Unter extremen Belastungen kann sich der Akku stark erhitzen. In diesem Fall schaltet der Akku ab.

Den Akku dann in das Ladegerät stecken um ihn wieder aufzuladen und zu aktivieren.

TRANSPORT VON LITHIUM-IONEN-AKKUS

Lithium-Ionen-Akkus fallen unter die gesetzlichen Bestimmungen zum Gefahrguttransport.

Der Transport dieser Akkus muss unter Einhaltung der lokalen, nationalen und internationalen Vorschriften und Bestimmungen erfolgen.

- Verbraucher dürfen diese Akkus ohne Weiteres auf der Straße transportieren.
- Der kommerzielle Transport von Lithium-Ionen-Akkus durch Speditionen unterliegt den Bestimmungen des Gefahrguttransports. Die Versandvorbereitungen und der Transport dürfen ausschließlich von entsprechend geschulten Personen durchgeführt werden. Der gesamte Prozess muss fachmännisch begleitet werden.

Folgende Punkte sind beim Transport von Akkus zu beachten:

- Stellen Sie sicher, dass die Kontakte geschützt und isoliert sind, um Kurzschlüsse zu vermeiden.
- Achten Sie darauf, dass der Akkupack innerhalb der Verpackung nicht verrutschen kann.
- Beschädigte oder auslaufende Akkus dürfen nicht transportiert werden.

Wenden Sie sich für weitere Hinweise an Ihr Speditionsunternehmen.

WARTUNG

Nur Milwaukee Zubehör und Ersatzteile verwenden. Bauteile, deren Austausch nicht beschrieben wurde, bei einer Milwaukee Kundendienststelle austauschen lassen (Broschüre Garantie/Kundendienstadressen beachten).

Bei Bedarf kann eine Explosionszeichnung des Gerätes unter Angabe der Maschinen Type und der sechsstelligen Nummer auf dem Leistungsschild bei Ihrer Kundendienststelle oder direkt bei Techtronic Industries GmbH, Max-Eyth-Straße 10, 71364 Winnenden, Germany angefordert werden.

SYMBOLE



ACHTUNG! WARNUNG! GEFAHR!



Vor allen Arbeiten an der Maschine den Wechselakku herausnehmen



Bitte lesen Sie die Gebrauchsanweisung vor Inbetriebnahme sorgfältig durch.



Elektrogeräte, Batterien/Akkus dürfen nicht zusammen mit dem Hausmüll entsorgt werden. Elektrische Geräte und Akkus sind getrennt zu sammeln und zur umweltgerechten Entsorgung bei einem Verwertungsbetrieb abzugeben. Erkundigen Sie sich bei den örtlichen Behörden oder bei Ihrem Fachhändler nach Recyclinghöfen und Sammelstellen.



CE-Zeichen



Nationales Konformitätszeichen Ukraine



EurAsian Konformitätszeichen.

CARACTÉRISTIQUES TECHNIQUES PERCEUSE VISSEUSE À PERCUSSION SANS FI	M18 FDD	M18 FPD
Numéro de série.....	4524 89 03.....	4524 79 03...
	...000001-999999	...000001-999999
Ø de perçage dans acier.....	13 mm.....	13 mm
Ø de perçage dans bois.....	45 mm.....	45 mm
Ø de perçage dans brique et grès argillo-calcaire.....	13 mm.....	13 mm
Vis à bois (sans avant trou).....	10 mm.....	10 mm
Vitesse de rotation 1ère vitesse.....	0-550 min ⁻¹	0-550 min ⁻¹
Vitesse de rotation 2ème vitesse.....	0-2000 min ⁻¹	0-2000 min ⁻¹
Perçage à percussion 1ère vitesse.....	0-8800 min ⁻¹	0-8800 min ⁻¹
Perçage à percussion 2ème vitesse.....	0-32000 min ⁻¹	0-32000 min ⁻¹
Couple *1 (5,0 Ah).....	135 Nm.....	135 Nm
Tension accu interchangeable.....	18 V.....	18 V
Plage de serrage du mandrin.....	1,5-13 mm.....	1,5-13 mm
Poids suivant EPTA-Procédure 01/2003 (2,0 Ah).....	2,3 kg.....	2,3 kg
Poids suivant EPTA-Procédure 01/2003 (5,0 Ah).....	2,5 kg.....	2,5 kg

Informations sur le bruit et les vibrations

Valeurs de mesure obtenues conformément à la EN 60 745.

La mesure réelle (A) du niveau de bruit de l'outil est

Niveau de pression acoustique (Incertitude K=3dB(A))..... 74,5 dB (A)..... 99,9 dB (A)

Niveau d'intensité acoustique (Incertitude K=3dB(A))..... 85,5 dB (A)..... 110,9 dB (A)

Toujours porter une protection acoustique!

Valeurs totales des vibrations (somme vectorielle de trois sens) établies conformément à EN 60745.

Valeur d'émission vibratoire a_w

Perçage à percussion dans le béton..... 13,2 m/s²

Incertitude K=..... 1,5 m/s²

Perçage dans le métal..... 1,29 m/s²..... 1,29 m/s²

Incertitude K=..... 1,5 m/s²..... 1,5 m/s²

Vissage..... 1,33 m/s²..... 1,33 m/s²

Incertitude K=..... 1,5 m/s²..... 1,5 m/s²

*1 Mesuré selon la norme Milwaukee N 877318

AVERTISSEMENT

Le niveau vibratoire indiqué dans ces instructions a été mesuré selon un procédé de mesure normalisé dans la norme EN 60745 et peut être utilisé pour comparer des outils électriques entre eux. Il convient aussi à une estimation provisoire de la sollicitation par les vibrations.

Le niveau vibratoire indiqué représente les applications principales de l'outil électrique. Toutefois, si l'outil électrique est utilisé pour d'autres applications, avec des outils rapportés qui diffèrent ou une maintenance insuffisante, il se peut que le niveau vibratoire diverge. Cela peut augmenter nettement la sollicitation par les vibrations sur tout l'intervalle de temps du travail.

Pour une estimation précise de la sollicitation par les vibrations, on devrait également tenir compte des temps pendant lesquels l'appareil n'est pas en marche ou tourne sans être réellement en service. Cela peut réduire nettement la sollicitation par les vibrations sur tout l'intervalle de temps du travail.

Définissez des mesures de sécurité supplémentaires pour protéger l'utilisateur contre l'influence des vibrations, comme par exemple : la maintenance de l'outil électrique et des outils rapportés, le maintien au chaud des mains, l'organisation des déroulements de travail.

AVIS! Lire complètement les instructions et les indications de sécurité. Le non-respect des avertissements et instructions indiqués ci après peut entraîner un choc électrique, un incendie et/ou de graves blessures sur les personnes.

Bien garder tous les avertissements et instructions.

INSTRUCTIONS DE SÉCURITÉ POUR PERCEUSES

Portez une protection acoustique. L'influence du bruit peut provoquer la surdité.

Utilisez les poignées supplémentaires livrées en même temps que l'appareil. La perte de contrôle peut mener à des blessures.

Maintenez l'appareil par les surfaces de poignée isolées lorsque vous exécutez des travaux pendant lesquels l'outil de coupe peut toucher des lignes électriques dissimulées. Le contact avec un câble sous tension met les parties métalliques de l'appareil sous tension et provoque une décharge électrique.

INSTRUCTIONS DE SÉCURITÉ POUR VISSEUSES

Tenir l'appareil au surfaces isolées faisant office de poignée pendant les travaux au cours desquels la vis peut toucher des lignes électriques dissimulées. Le contact de la vis avec un câble qui conduit la tension peut mettre des parties d'appareil en métal sous tension et mener à une décharge électrique.

AVIS COMPLÉMENTAIRES DE SÉCURITÉ ET DE TRAVAIL

Utiliser l'équipement de protection. Toujours porter des lunettes de protection pendant le travail avec la machine. Il est recommandé de porter des articles de protection, tels que masque antipoussière, gants de protection, chaussures tenant bien aux pieds et antidérapantes, casque et protection acoustique.

Les poussières qui sont dégagées pendant les travaux sont souvent nocives pour la santé et ne devraient pas pénétrer dans le corps. Porter un masque de protection approprié contre les poussières.

Il est interdit de travailler des matériaux dangereux pour la santé (par ex. amiante).

Désactiver immédiatement le dispositif en cas de blocage ! Ne pas réactiver le dispositif avec l'outil bloqué; il y a le risque de provoquer un contrecoup avec moment de réaction élevé. Établir et éliminer la cause du blocage de l'outil en prêtant attention aux consignes de sécurité.

Les causes possibles sont :

- Encastrement dans la pièce à travailler.
- Le dispositif a traversé le matériau à travailler en le cassant.
- Le dispositif électrique a été surchargé.

Ne pas approcher les mais de la partie en mouvement de la machine.

Durant l'utilisation, l'outil peut se surchauffer.

AVERTISSEMENT! Danger de brûlures

- durant le remplacement de l'outil
- durant la dépose de l'outil

Ne jamais enlever les copeaux ni les éclats lorsque la machine est en marche.

Lors du perçage dans les murs, les plafonds ou les planchers, toujours faire attention aux câbles électriques et aux conduites de gaz et d'eau.

Fixer fermement la pièce en exécution à l'aide d'un dispositif de serrage. Des pièces en exécution non fermement fixées peuvent provoquer des dommages et des lésions graves.

Avant tous travaux sur la machine retirer l'accu interchangeable.

Ne pas jeter les accus interchangeables usés au feu ou avec les déchets ménagers. Milwaukee offre un système d'évacuation écologique des accus usés.

Ne pas conserver les accus interchangeables avec des objets métalliques (risque de court-circuit)

Ne charger les accus interchangeables du système M18 qu'avec le chargeur d'accus du système M18. Ne pas charger des accus d'autres systèmes.

Ne pas ouvrir les accus interchangeables et les chargeurs et ne les stocker que dans des locaux secs. Les protéger contre l'humidité.

En cas de conditions ou températures extrêmes, du liquide caustique peut s'échapper d'un accu interchangeable endommagé. En cas de contact avec le liquide caustique de la batterie, laver immédiatement avec de l'eau et du savon. En cas de contact avec les yeux, rincer soigneusement avec de l'eau et consulter immédiatement un médecin.

Avertissement! Pour réduire le risque d'incendie, de blessures corporelles et de dommages cau-sés par un court-circuit, ne jamais immerger l'outil, le bloc-piles ou le chargeur dans un liquide ou laisser couler un fluide à l'intérieur de celui-ci. Les fluides corrosifs ou conducteurs, tels que l'eau de mer, certains produits chimiques industriels, les produits de blanchiment ou de blanchi-ment, etc., Peuvent provoquer un court-circuit.

UTILISATION CONFORME AUX PRESCRIPTIONS

M18 FDD: La perceuse-visseuse à accu est conçue pour un travail universel de perçage et de vissage sans être branchée sur le secteur.

M18 FPD: La perceuse-visseuse à percussion électronique à accu est conçue pour un travail universel de perçage à percussion, de perçage et de vissage sans être branchée sur le secteur.

Comme déjà indiqué, cette machine n'est conçue que pour être utilisée conformément aux prescriptions.

DÉCLARATION CE DE CONFORMITÉ

Nous déclarons sous notre seule responsabilité que le produit décrit sous « Caractéristiques techniques » concorde avec toutes les consignes pertinentes de la directive 2011/65 EU (RoHS), 2014/30/UE, 2006/42/CE et les documents normatifs harmonisés suivants :

EN 60745-1:2009 + A11:2010

EN 60745-2-1:2010

EN 60745-2-2:2010

EN 55014-1:2006 + A1:2009 + A2:2011

EN 55014-2:2015

EN 50581:2012

Winnenden, 2017-11-30



Alexander Krug
Managing Director

Bevollmächtigt die technischen Unterlagen zusammenzustellen

Techtronic Industries GmbH

Max-Eyth-Straße 10

71364 Winnenden

Germany



ACCUS

Recharger les accus avant utilisation après une longue période de non utilisation.

Une température supérieure à 50°C amoindrit la capacité des accus. Éviter les expositions prolongées au soleil ou au chauffage.

Tenir propres les contacts des accus et des chargeurs.

Après l'usage, les accus doivent être chargés entièrement pour une durée de vie optimale.

Pour une plus longue durée de vie, enlever les batteries du chargeur de batterie quand celles-ci seront chargées.

En cas d'entreposage de la batterie pour plus de 30 jours:

Entreposer la batterie à 27°C environ dans un endroit sec.

Entreposer la batterie avec une charge d'environ 30% - 50%.

Recharger la batterie tous les 6 mois.

PROTECTION DE L'ACCU CONTRE LES SURCHARGES

En cas de surcharge de l'accu suite à une consommation de courant très élevée, par exemple des couples extrêmement hauts, un coincement du foret, un arrêt soudain ou un court-circuit, l'outil électrique se met à bourdonner pendant 2 secondes et s'éteint automatiquement.

Pour le remettre en marche, il faut relâcher le poussoir de commutateur, puis l'enclencher à nouveau.

Il se peut que l'accu s'échauffe fortement s'il est soumis à des sollicitations extrêmes. Dans ce cas, il se déconnecte.

Mettre alors l'accu en place dans le chargeur pour le recharger et l'activer.

TRANSPORT DE BATTERIES LITHIUM-ION

Les batteries lithium-ion sont soumises aux dispositions législatives concernant le transport de produits dangereux.

Le transport de ces batteries devra s'effectuer dans le respect des dispositions et des normes locales, nationales et internationales.

- Les utilisateurs peuvent transporter ces batteries sans restrictions.
- Le transport commercial de batteries lithium-ion est réglé par les dispositions concernant le transport de produits dangereux. La préparation au transport et le transport devront être effectués uniquement par du personnel formé de façon adéquate. Tout le procédé devra être géré d'une manière professionnelle.

Durant le transport de batteries il faut respecter les consignes suivantes :

- S'assurer que les contacts soient protégés et isolés en vue d'éviter des courts-circuits.
- S'assurer que le groupe de batteries ne puisse pas se déplacer à l'intérieur de son emballage.
- Des batteries endommagées ou des batteries perdant du liquide ne devront pas être transportées.

Pour tout renseignement complémentaire veuillez vous adresser à votre transporteur professionnel.

ENTRETIEN

Utiliser uniquement les accessoires Milwaukee et les pièces détachées Milwaukee. Faire remplacer les composants dont le remplacement n'a pas été décrit, par un des centres de service après-vente Milwaukee (observer la brochure avec les adresses de garantie et de service après-vente).

En cas de besoin il est possible de demander un dessin éclaté du dispositif en indiquant le modèle de la machine et le numéro de six chiffres imprimé sur la plaquette de puissance et en s'adressant au centre d'assistance technique ou directement à Techtronic Industries GmbH, Max-Eyth-Straße 10, 71364 Winnenden, Germany.

SYMBOLES



ATTENTION! AVERTISSEMENT! DANGER!



Avant tous travaux sur la machine extraire la fiche de la prise de courant.



Veuillez lire avec soin le mode d'emploi avant la mise en service



Les dispositifs électriques, les batteries et les batteries rechargeables ne sont pas à éliminer dans les déchets ménagers. Les dispositifs électriques et les batteries sont à collecter séparément et à remettre à un centre de recyclage en vue de leur élimination dans le respect de l'environnement. S'adresser aux autorités locales ou au détaillant spécialisé en vue de connaître l'emplacement des centres de recyclage et des points de collecte.



Marque CE



Symbole national de conformité Ukraine



Marque de qualité EurAsian

DATI TECNICI	TRAPANO AVVITATORE A BATTERIA	M18 FDD	M18 FPD
Numero di serie	4524 89 03	4524 79 03	000001-999999
Ø Foratura in acciaio	13 mm	13 mm	13 mm
Ø Foratura in legno	45 mm	45 mm	45 mm
Ø Foratura in mattone e in arenaria calcarea	13 mm	13 mm	13 mm
Avvitatore nel legno (senza preforatura)	10 mm	10 mm	10 mm
Numero di giri a vuoto in 1. velocità	0-550 min ⁻¹	0-550 min ⁻¹	0-550 min ⁻¹
Numero di giri a vuoto in 2. velocità	0-2000 min ⁻¹	0-2000 min ⁻¹	0-2000 min ⁻¹
Percussione a pieno in 1. velocità	0-8800 min ⁻¹	0-8800 min ⁻¹	0-8800 min ⁻¹
Percussione a pieno in 2. velocità	0-32000 min ⁻¹	0-32000 min ⁻¹	0-32000 min ⁻¹
Momento torcente *1 (5,0 Ah)	135 Nm	135 Nm	135 Nm
Tensione batteria	18 V	18 V	18 V
Capacità mandrino	1,5-13 mm	1,5-13 mm	1,5-13 mm
Peso secondo la procedura EPTA 01/2003 (2,0 Ah)	2,3 kg	2,3 kg	2,3 kg
Peso secondo la procedura EPTA 01/2003 (5,0 Ah)	2,5 kg	2,5 kg	2,5 kg

Informazioni sulla rumorosità/sulle vibrazioni

Valori misurati conformemente alla norma EN 60 745.

La misurazione A della pressione del livello sonoro di un utensile di solito deve essere

Livello di rumorosità (Incertezza della misura K=3dB(A))	74,5 dB (A)	99,9 dB (A)
Potenza della rumorosità (Incertezza della misura K=3dB(A))	85,5 dB (A)	110,9 dB (A)

Utilizzare le protezioni per l'udito!

Valori totali delle oscillazioni (somma di vettori in tre direzioni) misurati conformemente alla norma EN 60745

Valore di emissione dell'oscillazione a_n

Perforazione a percussione	-	13,2 m/s ²
Incertezza della misura K=	1,5 m/s ²	1,5 m/s ²
Perforazione in metallo	1,29 m/s ²	1,29 m/s ²
Incertezza della misura K=	1,5 m/s ²	1,5 m/s ²
Avvitatura	1,33 m/s ²	1,33 m/s ²
Incertezza della misura K=	1,5 m/s ²	1,5 m/s ²

*1 Misurato conf. norma N 877318 Milwaukee

AVVERTENZA

Il livello di vibrazioni indicato nelle presenti istruzioni è stato misurato in conformità con un procedimento di misurazione codificato nella EN 60745 e può essere utilizzato per un confronto tra attrezzi elettrici. Inoltre si può anche utilizzare per una valutazione preliminare della sollecitazione da vibrazioni.

Il livello di vibrazioni indicato rappresenta le applicazioni principali dell'attrezzo elettrico. Se viceversa si utilizza l'attrezzo elettrico per altri scopi, con accessori differenti o con una manutenzione insufficiente, il livello di vibrazioni può risultare diverso. E questo può aumentare decisamente la sollecitazione da vibrazioni lungo l'intero periodo di lavorazione.

Ai fini di una valutazione precisa della sollecitazione da vibrazioni si dovrebbero tenere presente anche i periodi in cui l'apparecchio rimane spento oppure, anche se acceso, non viene effettivamente utilizzato. Ciò può ridurre notevolmente la sollecitazione da vibrazioni lungo l'intero periodo di lavorazione.

Stabilite misure di sicurezza supplementari per la tutela dell'operatore dall'effetto delle vibrazioni, come ad esempio: manutenzione dell'attrezzo elettrico e degli accessori, riscaldamento delle mani, organizzazione dei processi di lavoro.

AVVERTENZA! Leggere tutte le istruzioni ed indicazioni di sicurezza.

In caso di mancato rispetto delle avvertenze di pericolo e delle istruzioni operative si potrà creare il pericolo di scosse elettriche, incendi e/o incidenti gravi.

Conservare tutte le avvertenze di pericolo e le istruzioni operative per ogni esigenza futura.

INDICAZIONI DI SICUREZZA PER TRAPANI

Indossare protezioni acustiche adeguate. L'esposizione prolungata al rumore senza protezione può causare danni all'udito.

Utilizzare l'utensile con la sua impugnatura supplementare. La perdita di controllo potrebbe causare danneggiamenti all'utilizzatore.

Impugnare l'apparecchio sulle superfici di tenuta isolate mentre si eseguono lavori durante i quali l'utensile da taglio potrebbe entrare in contatto con cavi di corrente. L'eventuale contatto dell'utensile da taglio con un cavo sotto tensione potrebbe mettere sotto tensione le parti metalliche dell'apparecchio e provocare una folgorazione.

INDICAZIONI DI SICUREZZA PER AVVITATORI

Quando si svolge un'operazione in cui la vite potrebbe entrare in contatto con conduttori elettrici nascoste impugnare l'apparecchio afferrandolo per le superfici isolate. La vite che entra in contatto con una conduttura in tensione può mettere sotto tensione le parti metalliche dell'apparecchio e causare scosse elettriche.

ULTERIORI AVVISI DI SICUREZZA E DI LAVORO

Usare dispositivi di protezione. Durante il lavoro con la macchina bisogna sempre portare occhiali di protezione. Si consiglia di indossare indumenti di protezione come maschera antipolvere, guanti di protezione, scarpe antiscivolo robuste, casco e cuffie di protezione acustica.

La polvere che si produce durante il lavoro è spesso dannosa per la salute e non dovrebbe essere aspirata. Portare un'adeguata mascherina protettiva.

E' vietato lavorare materiali che possono costituire pericoli alla salute (ad es. amianto).

Spegnerne immediatamente il dispositivo in caso di bloccaggio! Non riaccendere il dispositivo fino a quando l'utensile ad inserto resta bloccato; esiste il rischio di causare un contraccolpo con elevato momento di reazione. Rilevare ed eliminare la causa del bloccaggio dell'utensile ad inserto tenendo conto delle indicazioni di sicurezza.

Le possibili cause sono:

- Incastro nel pezzo in lavorazione
- Il dispositivo ha attraversato il materiale da lavorare rompendolo
- Il dispositivo elettrico è stato sovraccaricato

Non avvicinare le mani alla parte della macchina in movimento.

Durante l'uso l'utensile ad inserto può surriscaldarsi.

AVVERTENZA! Pericolo di ustioni

- durante la sostituzione dell'utensile
- durante il deposito dell'utensile

Non rimuovere trucioli o schegge mentre l'utensile è in funzione.

Forando pareti, soffitti o pavimenti, si faccia attenzione ai cavi elettrici e alle condutture dell'acqua e del gas.

Fissare in sicurezza il pezzo in lavorazione con un dispositivo di serraggio. Pezzi in lavorazione che non siano fissati in sicurezza possono causare gravi lesioni e danni.

Prima di iniziare togliere la batteria dalla macchina.

Non gettare le batterie esaurite sul fuoco o nella spazzatura di casa. La Milwaukee offre infatti un servizio di recupero batterie usate.

Nel vano d'innesto per la batteria del caricatore non devono entrare parti metalliche (pericolo di cortocircuito).

Le batterie del System M18 sono ricaricabili esclusivamente con i caricatori del System M18. Le batterie di altri sistemi non possono essere ricaricate.

Non aprire né la batteria né il caricatore e conservarli solo in luogo asciutto. Proteggerli dalla umidità.

Nel caso di batterie danneggiate da un carico eccessivo o da temperature alte, l'acido di queste potrebbe fuoriuscire. In caso di contatto con l'acido delle batterie lavarsi immediatamente con acqua e sapone. In caso di contatto con gli occhi risciacquare immediatamente con acqua per almeno 10 minuti e contattare subito un medico.

Attenzione! Per ridurre il rischio d'incendio, di lesioni o di danni al prodotto causati da corto circuito, non immergere mai l'utensile, la batteria ricaricabile o il carica batterie in un liquido e non lasciare mai penetrare alcun liquido all'interno dei dispositivi e delle batterie. I fluidi corrosivi o conduttori come acqua salata, alcuni agenti chimici, agenti candeggianti o prodotti contenenti agenti candeggianti potrebbero provocare un corto circuito.

UTILIZZO CONFORME

M18 FDD: Il trapano-avvitatore Accu è utilizzabile universalmente per forare e avvitare indipendentemente dal collegamento elettrico.

M18 FPD: Il trapano a percussione-avvitatore Accu è indicato per forare a rotazione, a percussione, per avvitare, indipendentemente dal collegamento elettrico.

Utilizzare il prodotto solo per l'uso per cui è previsto.

DICHIARAZIONE DI CONFORMITÀ CE

Dichiariamo sotto la nostra esclusiva responsabilità che il prodotto descritto ai "Dati tecnici" corrisponde a tutte le disposizioni delle direttive 2011/65/EU (RoHS), 2014/30/UE, 2006/42/CE e successivi documenti normativi armonizzati:

EN 60745-1:2009 + A11:2010

EN 60745-2-1:2010

EN 60745-2-2:2010

EN 55014-1:2006 + A1:2009 + A2:2011

EN 55014-2:2015

EN 50581:2012

Winnenden, 2017-11-30

Alexander Krug

Alexander Krug
Managing Director

Autorizzato alla preparazione della documentazione tecnica

Techtronic Industries GmbH

Max-Eyth-Straße 10

71364 Winnenden

Germany

BATTERIE

Batterie non utilizzate per molto tempo devono essere ricaricate prima dell'uso.

A temperature superiori ai 50°C, la potenza della batteria si riduce.

Evitare di esporre l'accumulatore a surriscaldamento prolungato, dovuto ad esempio ai raggi del sole o ad un impianto di riscaldamento.

Per una durata di vita ottimale, dopo l'uso le batterie devono essere completamente ricaricate.

Per una più lunga durata, rimuovere le batterie dal caricabatterie quando saranno cariche.

In caso di immagazzinaggio della batteria per più di 30 giorni:

Immagazzinare la batteria a circa 27°C in ambiente asciutto.

Immagazzinare la batteria con carica di circa il 30% - 50%.

Ricaricare la batteria ogni 6 mesi.

DISPOSITIVO ANTISOVRACCARICO ACCUMULATORE

In caso di sovraccarico dell'accumulatore dovuto a consumo molto elevato di corrente, ad es. coppie di serraggio estremamente elevate, bloccaggio della punta, arresto improvviso o cortocircuito, l'elettrotensile romba per 2 secondi e poi si spegne automaticamente.

Per riaccenderlo, rilasciare l'interruttore e poi riaccenderlo.

Se sottoposto a carichi estremi, l'accumulatore può surriscaldarsi. In questo caso l'accumulatore si spegne.

Inserire l'accumulatore nell'apparecchio carica-batterie per ricaricarlo e attivarlo.

TRASPORTO DI BATTERIE AGLI IONI DI LITIO

Le batterie agli ioni di litio sono soggette alle disposizioni di legge sul trasporto di merce pericolosa.

Il trasporto di queste batterie deve avvenire rispettando le disposizioni e norme locali, nazionali ed internazionali.

- Gli utilizzatori possono trasportare queste batterie su strada senza alcuna restrizione.
- Il trasporto commerciale di batterie agli ioni di litio è regolato dalle disposizioni sul trasporto di merce pericolosa. Le preparazioni al trasporto ed il trasporto stesso devono essere svolti esclusivamente da persone idoneamente istruite. Tutto il processo deve essere gestito in maniera professionale.

Durante il trasporto di batterie occorre tenere conto di quanto segue:

- Assicurarsi che i contatti siano protetti ed isolati per evitare corto circuiti.
- Accertarsi che il gruppo di batterie non possa spostarsi all'interno dell'imballaggio.
- Batterie danneggiate o batterie che perdono liquido non devono essere trasportate.

Per ulteriori informazioni si prega di contattare il proprio trasportatore.

MANUTENZIONE

Usare solo accessori Milwaukee e pezzi di ricambio Milwaukee. Gruppi costruttivi la cui sostituzione non è stata descritta, devono essere fatti cambiare da un punto di servizio di assistenza tecnica al cliente Milwaukee (vedi depliant garanzia/indirizzi assistenza tecnica ai clienti).

In caso di necessità è possibile richiedere un disegno esploso del dispositivo indicando il modello della macchina ed il numero a sei cifre sulla targa di potenza rivolgendosi al centro di assistenza tecnica o direttamente a Techtronic Industries GmbH, Max-Eyth-Straße 10, 71364 Winnenden, Germany.

SIMBOLI



ATTENZIONE! AVVERTENZA! PERICOLO!



Prima di effettuare qualsiasi lavoro sulla macchina togliere la spina dalla presa di corrente.



Leggere attentamente le istruzioni per l'uso prima di mettere in funzione l'elettrotensile.



I dispositivi elettrici, le batterie e le batterie ricaricabili non devono essere smaltiti con i rifiuti domestici. I dispositivi elettrici e le batterie devono essere raccolti separatamente e devono essere conferiti ad un centro di riciclaggio per lo smaltimento rispettoso dell'ambiente. Chiedere alle autorità locali o al rivenditore specializzato dove si trovano i centri di riciclaggio e i punti di raccolta.



Marchio CE



Simbolo di conformità nazionale Ucraina



Marchio di conformità EurAsian

DATOS TÉCNICOS	TALADRO COMBI A BATERÍA	M18 FDD	M18 FPD
Número de producción	4524 89 03	4524 79 03
		...000001-999999	...000001-999999
Diámetro de taladrado en acero	13 mm	13 mm
Diámetro de taladrado en madera	45 mm	45 mm
Diámetro de taladrado ladrillo y losetas	13 mm	13 mm
Tornillos para madera (sin pretaladrar)	10 mm	10 mm
Velocidad en vacío 1ª velocidad	0-550 min ⁻¹	0-550 min ⁻¹
Velocidad en vacío 2ª velocidad	0-2000 min ⁻¹	0-2000 min ⁻¹
Frecuencia de impactos	0-8800 min ⁻¹	0-8800 min ⁻¹
Frecuencia de impactos	0-32000 min ⁻¹	0-32000 min ⁻¹
Par *1 (5,0 Ah)	135 Nm	135 Nm
Voltaje de batería	18 V	18 V
Gama de apertura del portabrocas	1,5-13 mm	1,5-13 mm
Peso de acuerdo con el procedimiento EPTA 01/2003 (2,0 Ah)	2,3 kg	2,3 kg
Peso de acuerdo con el procedimiento EPTA 01/2003 (5,0 Ah)	2,5 kg	2,5 kg

Información sobre ruidos / vibraciones

Determinación de los valores de medición según norma EN 60 745.

La presión acústica se eleva normalmente

Presión acústica (Tolerancia K=3dB(A))..... 74,5 dB (A) 99,9 dB (A)

Resonancia acústica (Tolerancia K=3dB(A))..... 85,5 dB (A) 110,9 dB (A)

Usar protectores auditivos!

Nivel total de vibraciones (suma vectorial de tres direcciones)

determinado según EN 60745.

Valor de vibraciones generadas a

taladrado de percusión..... - 13,2 m/s²

Tolerancia K = 1,5 m/s²

taladrado en metal 1,29 m/s² 1,29 m/s²

Tolerancia K = 1,5 m/s² 1,5 m/s²

tornillos..... 1,33 m/s² 1,33 m/s²

Tolerancia K = 1,5 m/s² 1,5 m/s²

*1 Medido según norma Milwaukee N 877318

ADVERTENCIA

El nivel vibratorio indicado en estas instrucciones ha sido medido conforme a un método de medición estandarizado en la norma EN 60745, y puede utilizarse para la comparación entre herramientas eléctricas. También es apropiado para una estimación provisional de la carga de vibración.

El nivel vibratorio indicado representa las aplicaciones principales de la herramienta eléctrica. Si, pese a ello, se utiliza la herramienta eléctrica para otras aplicaciones, con útiles adaptables diferentes o con un mantenimiento insuficiente, el nivel vibratorio puede diferir. Esto puede incrementar sensiblemente la carga de vibración durante todo el periodo de trabajo.

Para una estimación exacta de la carga de vibración deberían tenerse en cuenta también los tiempos durante los que el aparato está apagado o, pese a estar en funcionamiento, no está siendo realmente utilizado. Esto puede reducir sustancialmente la carga de vibración durante todo el periodo de trabajo.

Adopte medidas de seguridad adicionales para la protección del operador frente al efecto de las vibraciones, como por ejemplo: mantenimiento de la herramienta eléctrica y de los útiles adaptables, mantener las manos calientes, organización de los procesos de trabajo.

⚠ ATENCIÓN: Lea atentamente las indicaciones e intrusiones de seguridad. En caso de no atenderse a las advertencias de peligro e instrucciones siguientes, ello puede ocasionar una descarga eléctrica, un incendio y/o lesión grave.

Guardar todas las advertencias de peligro e instrucciones para futuras consultas.

⚠ INSTRUCCIONES DE SEGURIDAD PARA TALADRADORAS

¡Utilice protección auditiva! La exposición a niveles de ruido excesivos puede causar pérdida de audición

¡Utilice las empuñaduras auxiliares suministradas con la herramienta! La pérdida de control de la herramienta puede causar accidentes

Sujete el aparato de las superficies aisladas de agarre al efectuar trabajos en los cuales la perforadora de percusión pueda entrar en contacto con conductores de corriente ocultos. El contacto con conductores portadores de tensión puede hacer que las partes metálicas del aparato le provoquen una descarga eléctrica.

⚠ INSTRUCCIONES DE SEGURIDAD PARA ATORNILLADORES

Sujete el aparato por las superficies de sujeción aisladas cuando realice trabajos en los que el tornillo puede alcanzar líneas de corriente eléctrica ocultas. El contacto del tornillo con una línea conductora de corriente puede poner las partes metálicas del aparato bajo tensión y provocar un choque eléctrico.

INSTRUCCIONES ADICIONALES DE SEGURIDAD Y LABORALES

Utilice el equipamiento de protección. Mientras trabaje con la máquina lleve siempre gafas protectoras. Se recomienda utilizar ropa de protección como máscara protectora contra el polvo, guantes protectores, calzado resistente y antideslizante, casco y protección para los oídos.

El polvo que se produce durante estos trabajos puede ser nocivo a la salud; es por ello aconsejable que no penetre al cuerpo. Utilice por ello una máscara protectora contra polvo.

No se deben trabajar materiales que conlleven un riesgo para la salud (por ej. amianto).

¡En caso de que se bloquee el útil, el aparato se debe desconectar inmediatamente! No vuelva a conectar el aparato, mientras el útil está bloqueado; se podría producir un rechazo debido a la reacción de retroceso brusca. Averigüe y elimine la causa del bloqueo del útil, teniendo en cuenta las indicaciones de seguridad.

Causas posibles para ello pueden ser:

- Atascamiento o bloqueo en la pieza de trabajo
- Rotura del material con el que está trabajando
- Sobrecarga de la herramienta eléctrica

No introduzca las manos en la máquina mientras ésta se encuentra en funcionamiento.

El útil se puede calentar durante el uso.

ADVERTENCIA! Peligro de quemaduras

- en caso de cambiar la herramienta
- en caso de depositar el aparato

Nunca se debe intentar limpiar el polvo o viruta procedente del taladrado con la máquina en funcionamiento.

Para trabajar en paredes, techo o suelo, tenga cuidado para evitar los cables eléctricos y tuberías de gas o agua.

Fije la pieza de trabajo con un dispositivo de fijación. Las piezas de trabajo no fijadas pueden causar lesiones graves y deterioros.

Retire la batería antes de comenzar cualquier trabajo en la máquina.

No tire las baterías usadas a la basura ni al fuego. Los Distribuidores Milwaukee ofrecen un servicio de recogida de baterías antiguas para proteger el medio ambiente.

No almacene la batería con objetos metálicos (riesgo de cortocircuito).

Recargar solamente los acumuladores del Sistema M18 en cargadores M18. No intentar recargar acumuladores de otros sistemas.

No abra nunca las baterías ni los cargadores y guárdelos sólo en lugares secos. Protéjalos de la humedad en todo momento.

En caso de sobrecarga o alta temperatura, pueden llegar a producirse escapes de ácido provenientes de la batería. En caso de contacto con éste, limpie inmediatamente la zona con agua y jabón. Si el contacto es en los ojos, límpiese concienzudamente con agua durante 10 minutos y acuda inmediatamente a un médico.

Advertencia! Para reducir el riesgo de incendio, lesión personales y daños al producto debido a un cortocircuito, no sumerja nunca la herramienta, el pa-quete de baterías o el cargador en líquido ni permita que fluya un fluido dentro de ellos. Los fluidos corrosivos o conductivos, como el agua de mar, ciertos productos químicos industriales y blanqueadores o lejías que contienen, etc., Pueden causar un cortocircuito.

APLICACIÓN DE ACUERDO A LA FINALIDAD

M18 FDD: El taladro/atornillador por acumulador está diseñado para trabajos de taladrado y atornillado para uso independiente lejos de suministro eléctrico.

M18 FPD: El taladro-atornillador electrónico por acumulador es utilizable en todo tipo de trabajos taladrar, con y sin percusión, atornillar sin depender de una toma de corriente.

No utilice este producto para ninguna otra aplicación que no sea su uso normal.

DECLARACION DE CONFORMIDAD CE

Declaramos bajo nuestra responsabilidad que el producto descrito bajo "Datos técnicos" está en conformidad con todas las normas relevantes de la directiva 2011/65/EU (RoHS), 2014/30/UE, 2006/42/CE y con las siguientes normas o documentos normalizados:

EN 60745-1:2009 + A11:2010

EN 60745-2-1:2010

EN 60745-2-2:2010

EN 55014-1:2006 + A1:2009 + A2:2011

EN 55014-2:2015

EN 50581:2012

Winnenden, 2017-11-30

Alexander Krug

Alexander Krug
Managing Director

Autorizado para la redacción de los documentos técnicos.

Technronic Industries GmbH

Max-Eyth-Straße 10

71364 Winnenden

Germany

BATERÍA

Las baterías no utilizadas durante cierto tiempo deben ser recargadas antes de usar.

Las temperaturas superiores a 50°C reducen el rendimiento de la batería. Evite una exposición excesiva a fuentes de calor o al sol (riesgo de sobrecalentamiento).

Los puntos de contacto de los cargadores y las baterías se deben mantener limpios.

Para un tiempo de vida óptimo, deberán cargarse completamente las baterías después de su uso.

Para garantizar la máxima capacidad y vida útil, las baterías recargables se deberían retirar del cargador una vez finalizada la carga.

En caso de almacenar la batería recargable más de 30 días:

Almacenar la batería recargable en un lugar seco a una temperatura de aproximadamente 27°C.

Almacenar la batería recargable con un estado de carga del 30% y 50% aproximadamente. Recargar la batería cada 6 meses.

PROTECCIÓN CONTRA SOBRECARGA DE LA BATERÍA

En caso de sobrecarga del acumulador por consumo muy elevado de corriente, por ej. debido a pares muy elevados, agarrotamiento del taladro, parada repentina o cortocircuito, la herramienta eléctrica zumbará durante 2 segundos y se desconectará automáticamente. Para reconectarla, libere primero el gatillo interruptor y después reconecte de nuevo.

Bajo cargas extremas, el acumulador se puede calentar mucho. En este caso desconectar el acumulador.

Meta entonces la batería en el cargador para recargarla otra vez y activarla.

TRANSPORTE DE BATERÍAS DE IONES DE LITIO

Las baterías de iones de litio caen bajo las disposiciones legales relativas al transporte de mercancías peligrosas.

El transporte de estas baterías recargables debe llevarse a cabo, observando las normas y disposiciones locales, nacionales e internacionales.

• Los consumidores pueden transportar estas baterías recargables sin el menor reparo en la calle.

• El transporte comercial de baterías recargables de iones de litio por empresas de transportes está sometido a las disposiciones del transporte de mercancías peligrosas. Las preparaciones para el envío y el transporte deben ser llevados a cabo exclusivamente por personas instruidas adecuadamente. El proceso completo debe ser supervisado por personal competente.

Los siguientes puntos se deben observar para el transporte de las baterías recargables:

- Se debe asegurar que los contactos estén protegidos y aislados para evitar que se produzcan cortocircuitos.
- Preste atención a que el conjunto de baterías recargables no se pueda desplazar dentro del envase.
- Las baterías recargables deterioradas o derramadas no se deben transportar.

Rogamos que para cualquier información adicional se dirija a su empresa de transportes.

MANTENIMIENTO

Utilice solamente accesorios y repuestos Milwaukee. En caso de necesitar reemplazar componentes no descritos, contacte con cualquiera de nuestras estaciones de servicio Milwaukee (consultar lista de servicio técnicos)

Puede solicitar, en caso necesario, una vista despiezada del aparato bajo indicación del tipo de máquina y el número de seis dígitos en la placa indicadora de potencia en su Servicio de Postventa o directamente en Technronic Industries GmbH, Max-Eyth-Straße 10, 71364 Winnenden, Germany.

SÍMBOLOS



¡ATENCIÓN! ¡ADVERTENCIA! ¡PELIGRO!



Desconecte siempre el enchufe antes de llevar a cabo cualquier trabajo en la máquina.



Lea las instrucciones detenidamente antes de conectar la herramienta



Los electrodomésticos y las baterías/acumuladores no se deben eliminar junto con la basura doméstica. Los aparatos eléctricos y los acumuladores se deben recoger por separado y se deben entregar a una empresa de reciclaje para una eliminación respetuosa con el medio ambiente. Infórmese en las autoridades locales o en su tienda especializada sobre los centros de reciclaje y puntos de recogida.



Marca CE



Marca de conformidad nacional de Ucrania



certificado EAC de conformidad

CARACTERÍSTICAS TÉCNICAS	BERBEQUIM COM PERCUSSÃO A BATERIA	M18 FDD	M18 FPD
Número de produção.....	4524 89 03.....	4524 79 03.....	000001-999999
Ø de furo em aço.....	13 mm.....	13 mm.....	000001-999999
Ø de furo em madeira.....	45 mm.....	45 mm.....	
Ø de furo em tijolo e calcário.....	13 mm.....	13 mm.....	
Parafusos para madeira (sem furo prévio).....	10 mm.....	10 mm.....	
Nº de rotações em vazio na 1ª velocidade.....	0-550 min ⁻¹	0-550 min ⁻¹	
Nº de rotações em vazio na 2ª velocidade.....	0-2000 min ⁻¹	0-2000 min ⁻¹	
Frequência de percussão na 1ª velocidade.....	0-8800 min ⁻¹	0-8800 min ⁻¹	
Frequência de percussão na 2ª velocidade.....	0-32000 min ⁻¹	0-32000 min ⁻¹	
Binário *1 (5,0 Ah).....	135 Nm.....	135 Nm.....	
Tensão do acumulador.....	18 V.....	18 V.....	
Capacidade da bucha.....	1,5-13 mm.....	1,5-13 mm.....	
Peso nos termos do procedimento-EPTA 01/2003 (2,0 Ah).....	2,3 kg.....	2,3 kg.....	
Peso nos termos do procedimento-EPTA 01/2003 (5,0 Ah).....	2,5 kg.....	2,5 kg.....	

Informações sobre ruído/vibração

Valores de medida de acordo com EN 60745.

Normalmente o nível de pressão de ruído da ferramenta é

Nível da pressão de ruído (Incertez K=3dB(A))..... 74,5 dB (A) 99,9 dB (A)

Nível da potência de ruído (Incertez K=3dB(A))..... 85,5 dB (A) 110,9 dB (A)

Use protectores auriculares!

Valores totais de vibração (soma dos vectores das três direcções)

determinadas conforme EN 60745.

Valor de emissão de vibração a_h

Furar de impacto em betão.....	-.....	13,2 m/s ²
Incerteza K=.....	1,5 m/s ²
Furar em metal.....	1,29 m/s ²	1,29 m/s ²
Incerteza K=.....	1,5 m/s ²	1,5 m/s ²
Parafusos.....	1,33 m/s ²	1,33 m/s ²
Incerteza K=.....	1,5 m/s ²	1,5 m/s ²

*1 Medido em conformidade com a Milwaukee Standard N 877318

ATENÇÃO

O nível vibratório indicado nestas instruções foi medido em conformidade com um procedimento de medição normalizado na EN 60745 e pode ser utilizado para comparar entre si ferramentas eléctricas. O mesmo é também adequado para avaliar provisoriamente o esforço vibratório.

O nível vibratório indicado representa as principais aplicações da ferramenta eléctrica. Se, no entanto, a ferramenta eléctrica for utilizada para outras aplicações, com outras ferramentas adaptadas ou uma manutenção insuficiente, o nível vibratório poderá divergir. Isto pode aumentar consideravelmente o esforço vibratório ao longo de todo o período do trabalho.

Para uma avaliação exacta do esforço vibratório devem também ser considerados os tempos durante os quais o aparelho está desligado ou está a funcionar, mas não está efectivamente a ser utilizado. Isto pode reduzir consideravelmente o esforço vibratório ao longo de todo o período do trabalho.

Defina medidas de segurança suplementares para proteger o operador do efeito das vibrações, como por exemplo: manutenção da ferramenta eléctrica e das ferramentas adaptadas, manter as mãos quentes, organização das sequências de trabalho.

⚠ ADVERTÊNCIA! Leia todas as instruções de segurança e todas as instruções. O desrespeito das advertências e instruções apresentadas abaixo pode causar choque eléctrico, incêndio e/ou graves lesões.
Guarde bem todas as advertências e instruções para futura referência.

⚠ INSTRUÇÕES DE SEGURANÇA PARA BERBEQUIMS

Sempre use a protecção dos ouvidos. A influência de ruídos pode causar surdez.

Sempre use os punhos adicionais fornecidos com o aparelho. A perda de controlo pode causar feridas.

Segure o aparelho nas superfícies de punho isoladas se estiver a executar trabalhos, nos quais a ferramenta de corte pode tocar em linhas eléctricas escondidas. O contacto com um cabo com tensão também pode tocar as partes metálicas do aparelho sob tensão e leva a choque eléctrico.

⚠ INSTRUÇÕES DE SEGURANÇA PARA APARAFUSADORAS

Segure o aparelho pela superfície isoladora do punho, se executar trabalhos nos quais o parafuso possa tocar em linhas eléctricas ocultas. O contacto do parafuso com uma linha sob tensão pode também colocar peças metálicas do aparelho sob tensão e provocar um choque eléctrico.

INSTRUÇÕES DE SEGURANÇA E TRABALHO SUPLEMENTARES

Utilizar equipamento de protecção. Durante os trabalhos com a máquina, usar sempre óculos de protecção. Vestuário de protecção, bem como máscara de pó, sapatos fechados e antiderrapante, capacete e protecção auditiva são recomendados.

O pó que resulta ao trabalhar pode ser nocivo para a saúde, por isso não devendo penetrar no corpo. Use uma máscara de protecção contra pó apropriada.

Não devem ser processados materiais que representem um perigo para a saúde (p. ex. asbesto).

Desligue o aparelho imediatamente, quando a ferramenta de inserção bloquear! Não ligue o aparelho novamente durante o bloqueio da ferramenta de inserção, pois isso pode levar a um recuo repentino com uma alta força reactiva. Verifique e elimine a causa do bloqueio da ferramenta de inserção, observando as instruções de segurança.

Causas possíveis podem ser:

- Emperramento na peça a trabalhar
- Material a processar rompido
- Sobrecarga da ferramenta eléctrica

Não toque na máquina em operação.

A ferramenta de inserção pode ficar quente durante a operação.

ATENÇÃO! Perigo de queimar-se

- na troca das ferramentas
- ao depositar o aparelho

Não remover aparas ou lascas enquanto a máquina trabalha.

Ao trabalhar em paredes, tectos e soalhos prestar atenção a que não sejam atingidos cabos eléctricos e canalizações de gás e água.

Fixe a peça a trabalhar com um dispositivo de fixação. Peças a trabalhar não fixadas podem levar a feridas graves e danos sérios.

Antes de efectuar qualquer intervenção na máquina retirar o bloco acumulador.

Não queimar acumuladores gastos nem deitá-los no lixo doméstico. A Milwaukee possui uma eliminação de acumuladores gastos que respeita o meio ambiente.

Não guardar acumuladores junto com objectos metálicos (perigo de curto-circuito).

Use apenas carregadores do Sistema M18 para recarregar os acumuladores do Sistema M18. Não utilize acumuladores de outros sistemas.

Carregadores só devem ser utilizados em recintos secos.

Em caso de cargas ou temperaturas extremas, um acumulador de substituição danificado poderá verter líquido de bateria. Se entrar em contacto com este líquido, deverá lavar-se imediatamente com água e sabão. Em caso de contacto com os olhos, enxágue-os bem e de imediato durante pelo menos 10 minutos e consulte um médico o mais depressa possível.

Advertência! Para evitar o risco de incêndio, de feridas ou de danificação do produto causado por um curto-circuito, não imeoja a bateria intercambiável ou o carregador em líquidos e assegure-se de que líquidos não penetrem nos aparelhos ou nas baterias. Líquidos corrosivos ou condutivos como água salgada, determinadas substâncias químicas ou produtos que contenham branqueadores podem causar um curto-circuito.

UTILIZAÇÃO AUTORIZADA

M18 FDD: O berbequim aparafusador sem fio pode ser aplicado universalmente para furar e aparafusar sem necessidade de ligar a máquina à rede.

M18 FPD: O berbequim aparafusador electrónico com percussão e sem fio pode ser aplicado universalmente para furar, furar com percussão e aparafusar sem necessidade de ligar a máquina à rede.

Não use este produto de outra maneira sem ser a normal para o qual foi concebido.

DECLARAÇÃO DE CONFORMIDADE CE

Declaramos sob responsabilidade exclusiva, que o produto descrito sob "Dados técnicos" corresponde com todas as disposições relevantes da diretiva 2011/65/EU (RoHS), 2014/30/UE, 2006/42/CE e dos seguintes documentos normativos harmonizados.

EN 60745-1:2009 + A11:2010

EN 60745-2-1:2010

EN 60745-2-2:2010

EN 55014-1:2006 + A1:2009 + A2:2011

EN 55014-2:2015

EN 50581:2012

Winnenden, 2017-11-30



Alexander Krug
Managing Director



Autorizado a reunir a documentação técnica.

Techtronic Industries GmbH

Max-Eyth-Straße 10

71364 Winnenden

Germany

ACUMULADOR

Acumuladores não utilizados durante algum tempo devem ser recarregados antes da sua utilização.

Temperaturas acima de 50°C reduzem a capacidade do bloco acumulador. Evitar exposição prolongada ao sol ou a caloríferos.

Manter limpos os contactos eléctricos no carregador e no bloco acumulador.

Para uma vida útil óptima dos acumuladores, terá que carregá-los plenamente após a sua utilização.

Para assegurar uma vida útil longa, o pacote de bateria deve ser removido da carregadora depois do carregamento.

Se o pacote de bateria for armazenado por mais de 30 dias:

Armazene o pacote de bateria com aprox. 27°C em um lugar seco.

Armazene o pacote de bateria com aprox. 30%-50% da carga completa.

Carregue o pacote de bateria novamente de 6 em 6 meses.

PROTECÇÃO DE SOBRECARGA DE BATERIA

No caso de sobrecarga da bateria devido a um consumo de corrente demasiado elevado, por exemplo um binário de rotação extremamente elevado, um bloqueio da broca, uma paragem repentina ou um curto-circuito, a ferramenta eléctrica vibra durante 2 segundos e desliga-se automaticamente.

Para a ligar novamente, desligar e voltar a ligar o interruptor. Sob condições extremas, a bateria pode aquecer demasiado. Neste caso a bateria desliga-se. Voltar entã a colocar o acumulador no carregador para o carregar de novo e para assim o activar.

TRANSPORTE DE BATERIAS DE IÃO-LÍLIO

Baterias de ião-lítio estão sujeitas às disposições da legislação relativa às substâncias perigosas.

O transporte destas baterias deve ser efectuado de acordo com as disposições e os regulamentos locais, nacionais e internacionais.

- O utilizador pode efectuar o transporte rodoviário destas baterias sem restrições.
- O transporte comercial de baterias de ião-lítio por terceiros está sujeito aos regulamentos relativos às substâncias perigosas. A preparação do transporte e o transporte devem ser executados exclusivamente por pessoas instruídas e o processo deve ser acompanhado pelos especialistas correspondentes.

Observe o seguinte no transporte de baterias:

- Assegure-se de que os contactos terminais estejam protegidos e isolados para evitar um curto-circuito.
- Assegure-se de que o bloco da bateria esteja protegido contra movimentos na embalagem.
- Não transporte baterias danificadas ou que tenham fuga.

Para instruções mais detalhadas consulte a companhia de transportes

MANUTENÇÃO

Utilizar apenas acessórios Milwaukee e peças sobresselentes Milwaukee. Os componentes cuja substituição não esteja descrita devem ser substituídos num serviço de assistência técnica Milwaukee (consultar a brochura relativa à garantia/moradas dos serviços de assistência técnica).

Se for necessário, um desenho de explosão do aparelho pode ser solicitado do seu posto de assistência ao cliente ou directamente da Techtronic Industries GmbH, Max-Eyth-Straße 10, 71364 Winnenden, Alemanha, indicando o tipo da máquina e o número de seis posições na chapa indicadora da potência.

SYMBOLS



ATENÇÃO! PERIGO!



Antes de efectuar qualquer intervenção na máquina, tirar a ficha da tomada.



Leia atentamente o manual de instruções antes de colocar a máquina em funcionamento.



Aparelhos eléctricos, baterias/acumuladores não devem ser jogados no lixo doméstico. Os aparelhos eléctricos e as baterias devem ser colectados separadamente e entregues a uma empresa de reciclagem para a eliminação correcta.

Solicite informações sobre empresas de reciclagem e postos de colecta de lixo das autoridades locais ou do seu vendedor autorizado.



Marca CE



Marca de conformidade nacional da Ucrânia



Marca de conformidade EurAsian.

TECHNISCHE GEGEVENS	ACCU-SLAGBOORMACHINE	M18 FDD	M18 FPD
Productienummer	4524 89 03	4524 79 03	4524 79 03
	...000001-999999	...000001-999999	...000001-999999
Boor-Ø in staal	13 mm	13 mm	13 mm
Boor-Ø in hout	45 mm	45 mm	45 mm
Boor-Ø in tegel en kalkzandsteen	13 mm	13 mm	13 mm
Houtschroeven (zonder voorboren)	10 mm	10 mm	10 mm
Onbelast toerental in stand 1	0-550 min ⁻¹	0-550 min ⁻¹	0-550 min ⁻¹
Onbelast toerental in stand 2	0-2000 min ⁻¹	0-2000 min ⁻¹	0-2000 min ⁻¹
Aantal slagen in stand 1	0-8800 min ⁻¹	0-8800 min ⁻¹	0-8800 min ⁻¹
Aantal slagen in stand 2	0-32000 min ⁻¹	0-32000 min ⁻¹	0-32000 min ⁻¹
Draaimoment *1 (5,0 Ah)	135 Nm	135 Nm	135 Nm
Spanning wisselakku	18 V	18 V	18 V
Spanwijdte boorhouder	1,5-13 mm	1,5-13 mm	1,5-13 mm
Gewicht volgens de EPTA-procedure 01/2003 (2,0 Ah)	2,3 kg	2,3 kg	2,3 kg
Gewicht volgens de EPTA-procedure 01/2003 (5,0 Ah)	2,5 kg	2,5 kg	2,5 kg

Geluids-/trillingsinformatie
 Meetwaarden vastgesteld volgens EN 60 745.
 Het kenmerkende A-gewaardeerde geluidsdruk niveau van de machine bedraagt
 Geluidsdruk niveau (Onzekerheid K=3dB(A)) 74,5 dB (A) 99,9 dB (A)
 Geluidsvermogen niveau (Onzekerheid K=3dB(A)) 85,5 dB (A) 110,9 dB (A)

Draag oorbeschermers!
 Totale trillingswaarden (vectorsom van drie richtingen) bepaald volgens EN 60745.
 Trillingsemissiewaarde a_h
 Slagboren in beton 13,2 m/s²
 Onzekerheid K= 1,5 m/s²
 Boren in metaal 1,29 m/s²
 Onzekerheid K= 1,5 m/s²
 Schroeven 1,33 m/s²
 Onzekerheid K= 1,5 m/s²

*1 Gemeten volgens de Milwaukee Standard N 877318

WAARSCHUWING

De in deze aanwijzingen vermelde trillingsdruk is gemeten volgens een in EN 60745 genormeerde meetmethode en kan worden gebruikt voor de onderlinge vergelijking van apparaten. Hij is ook geschikt voor een voorlopige inschatting van de trillingsbelasting.

De aangegeven trillingsdruk geldt voor de meest gebruikelijke toepassingen van het elektrische apparaat. Wanneer het elektrische gereedschap echter voor andere doeleinden, met andere dan de voorgeschreven hulpstukken gebruikt of niet naar behoren onderhouden wordt, kan de trillingsdruk afwijken. Dit kan de waarde van de trillingsdruk over de hele werkperiode aanzienlijk verhogen.

Voor een nauwkeurige inschatting van de trillingsdruk moeten ook de tijden in aanmerking worden genomen dat het apparaat uitgeschakeld is of weliswaar loopt, maar niet werkelijk in gebruik is. Dit kan de waarde van de trillingsdruk over de hele werkperiode aanzienlijk verminderen.

Bepaal extra veiligheidsmaatregelen ter bescherming van de bediener tegen de inwerking van trillingen, bijvoorbeeld: onderhoud van elektrische gereedschappen en apparaten, warmhouden van de handen, organisatie van de werkprocessen.

⚠ WAARSCHUWING! Lees alle veiligheidsinstructies en aanwijzingen.

Als de waarschuwingen en voorschriften niet worden opgevolgd, kan dit een elektrische schok, brand of ernstig letsel tot gevolg hebben.

Bewaar alle waarschuwingen en voorschriften voor toekomstig gebruik.

⚠ VEILIGHEIDSLINSTRUCTIES VOOR BOORMACHINES

Draag oorbeschermers. Blootstelling aan geluid kan het gehoor beschadigen.

Gebruik de bij de machine geleverde zijhandgreep. Verlies aan controle kan tot persoonlijk letsel leiden.

Houd het apparaat alléén aan de geïsoleerde grijpvlakken vast, wanneer u werkzaamheden uitvoert waarbij het snijgereedschap verborgen stroomleidingen zou kunnen raken. Het contact met een onder spanning staande leiding zet ook de metalen machinedelen onder spanning en leidt tot een elektrische schok.

⚠ VEILIGHEIDSLINSTRUCTIES VOOR SCHROEVENDRAAIERS

Houd het apparaat alléén vast aan de geïsoleerde grijpvlakken als u werkzaamheden uitvoert waarbij de schroef verborgen stroomleidingen zou kunnen raken. Het contact van de schroef met een spanningvoerende leiding kan de metalen apparaatdelen onder spanning zetten en zo tot een elektrische schok leiden.

VERDERE VEILIGHEIDS- EN WERKINSTRUCTIES

Draag veiligheidsuitrusting. Bij werkzaamheden met de machine dient u altijd een veiligheidsbril te dragen. Veiligheidskleding zoals stofmasker, veiligheidshandschoenen, stevig en slipvast schoeisel, helm en gehoorbescherming worden aanbevolen.

Het gedurende het werken vrijkomende stof is doorgaans schadelijk voor de gezondheid en mag niet met het lichaam in aanraking komen. Draag derhalve een geschikt stofbeschermsmasker.

Het is niet toegestaan, materialen te bewerken waarvan een gezondheidsgevaar uitgaat (bijv. asbest).

Schakel het apparaat onmiddellijk uit als het gereedschap blokkeert! Schakel het apparaat niet in zolang het gereedschap geblokkeerd is; dit zou een terugslag met een hoog reactiemoment kunnen veroorzaken. Achterhaal en verhelp de oorzaak voor de blokkering van het gereedschap met inachtneming van de veiligheidsinstructies.

Mogelijke oorzaken voor de blokkering:
 • kantelen in het te bewerken werkstuk
 • doorbreken van het te bewerken materiaal
 • overbelasting van het elektrische gereedschap

Grijp niet in de lopende machine.

Het gereedschap kan heet worden tijdens het gebruik.

WAARSCHUWING! Gevaar voor verbranding

- bij het vervangen van het gereedschap
- bij het neerleggen van het apparaat

Spanen of splinters mogen bij draaiende machine niet worden verwijderd.

Bij het werken in wanden, plafonds of vloeren oppassen voor elektriciteitsdraden, gas- of waterleidingen.

Borg uw werkstuk met behulp van een spaninrichting. Niet geborgde werkstukken kunnen ernstig letsel en grote schade veroorzaken.

Voor alle werkzaamheden aan de machine de accu verwijderen.

Verbruikte accu's niet in het vuur of bij het huisvuil werpen. Milwaukee biedt namelijk een milieuvriendelijke recyclingmethode voor uw oude accu's.

Wisselakku's niet bij metalen voorwerpen bewaren (kortsluitingsgevaar !) .

Wisselakku's van het Akku-Systeem M18 alléén met laadapparaten van het Akku-Systeem M18 laden. Geen accu's van andere systemen laden.

Wisselakku's en laadapparaten niet openen en alleen in droge ruimtes opslaan. Tegen vocht beschermen.

Onder extreme belasting of extreme temperaturen kan uit de accu accu-vloeistof lopen. Na contact met accu-vloeistof direct afwassen met water en zeep. Bij oogcontact direct minstens 10 minuten grondig spoelen en onmiddellijk een arts raadplegen.

Waarschuwing! Voorkom brand, persoonlijk letsel of materiële schade door kortsluiting en dompel het gereedschap, de wisselaccu en het laadtoestel niet onder in vloeistoffen en waarborg dat geen vloeistoffen in de apparaten en accu's kunnen dringen. Corrosieve of geleidende vloeistoffen zoals zout water, bepaalde chemicaliën, bleekmiddelen of producten die bleekmiddelen bevatten, kunnen een kortsluiting veroorzaken.

VOORGESCHREVEN GEBRUIK VAN HET SYSTEEM

M18 FDD: De accu-boorschroevendraaier is te gebruiken voor boor-en schoefwerkzaamheden, onafhankelijk van een netaansluiting.

M18 FPD: De accu elektronisch slagboorschroevendraaier is te gebruiken om te boren, slagboren en te schroeven, onafhankelijk van een netaansluiting.

Dit apparaat uitsluitend gebruiken voor normaal gebruik, zoals aangegeven.

EC - VERKLARING VAN OVEREENSTEMMING

Wij verklaren in uitsluitende verantwoording dat het onder 'Technische gegevens' beschreven product overeenstemt met alle relevante voorschriften van de richtlijn 2011/65/EU (RoHS), 2014/30/EU, 2006/42/EG en de volgende geharmoniseerde normatieve documenten:

EN 60745-1:2009 + A11:2010
 EN 60745-2-1:2010
 EN 60745-2-2:2010
 EN 55014-1:2006 + A1:2009 + A2:2011
 EN 55014-2:2015
 EN 50581:2012

Winnenden, 2017-11-30

Alexander Krug
 Managing Director



Gemachtigd voor samenstelling van de technische documenten

Techtronic Industries GmbH
 Max-Eyth-Str. 10
 71364 Winnenden
 Germany

AKKU

Langere tijd niet toegepaste wisselakku's vóór gebruik altijd naladen.

Een temperatuur boven de 50°C vermindert de capaciteit van de accu. Langdurige verwarming door zon of hitte vermijden.

De aansluitcontacten aan het laadapparaat en de accu schoonhouden.

Voor een optimale levensduur moeten de accu's na het gebruik volledig opgeladen worden.

Voor een zo lang mogelijke levensduur van de accu's dienen deze na het opladen uit het laadtoestel te worden verwijderd.

Bij een langere opslag van de accu dan 30 dagen:

accu bij ca. 27 °C droog bewaren.

accu bij ca. 30 % - 50 % van de laadtoestand bewaren.

accu om de 6 maanden opnieuw opladen.

OVERBELASTINGSBEVEILIGING VAN DE ACCU

Bij overbelasting van de accu door een zeer hoog stroomverbruik, bijv. extreem hoge draaimomenten, klemmen van de boor, plotseling stoppen of kortsluiting, vibreert het elektrische gereedschap gedurende 2 seconden en schakelt dan automatisch uit.

Om het gereedschap weer in te schakelen, moet u de drukschakelaar loslaten en vervolgens weer inschakelen.

Onder extreme belastingen wordt de accu te heet. In dit geval schakelt hij uit. Steek de accu in het laadtoestel om hem weer op te laden en te activeren.

TRANSPORT VAN LITHIUM-IONEN-ACCU'S

Lithium-ionen-accu's vallen onder de wettelijke bepalingen inzake het transport van gevaarlijke goederen.

Voor het transport van deze accu's moeten de lokale, nationale en internationale voorschriften en bepalingen in acht worden genomen.

- Verbruikers mogen deze accu's zonder meer over de weg transporteren.
- Het commerciële transport van lithium-ionen-accu's door expeditiebedrijven is onderhevig aan de bepalingen inzake het transport van gevaarlijke goederen. De verzendingsvoorbereidingen en het transport mogen uitsluitend worden uitgevoerd door dienovereenkomstig opgeleide personen. Het complete proces moet vakkundig worden begeleid.

Onderstaande punten moeten bij het transport van accu's in acht worden genomen:

- Waarborg ter vermijding van kortsluitingen dat de contacten beschermd en geïsoleerd zijn.
- Let op dat het accupack in de verpakking niet kan verschuiven.
- Beschadigde of lekkende accu's mogen niet worden getransporteerd.

Neem voor meer informatie contact op met uw expeditiebedrijf.

ONDERHOUD

Gebruik uitsluitend Milwaukee toebehoren en onderdelen. Indien componenten die moeten worden vervangen niet zijn beschreven, neem dan contact op met een officieel Milwaukee servicecentrum (zie onze lijst met servicecentra).

Zo nodig kan een explosietekening van het apparaat worden aangevraagd bij uw klantenservice of direct bij Techtronic Industries GmbH, Max-Eyth-Str. 10, 71364 Winnenden, Duitsland onder vermelding van het machinetype en het zescijferige nummer op het typeplaatje.

SYMBOLEN



OPGELET! WAARSCHUWING! GEVAAR!



Voor alle werkzaamheden aan de machine de stekker uit de kontaktdoos trekken.



Graag instructies zorgvuldig doorlezen vóórdat u de machine in gebruik neemt.



Elektrische apparaten, batterijen en accu's mogen niet via het huisafval worden afgevoerd. Elektrische apparaten en accu's moeten gescheiden worden verzameld en voor een milieuvriendelijke afvoer worden afgegeven bij een recyclingbedrijf. Informeer bij uw gemeente of bij uw vakhandelaar naar recyclingbedrijven en inzamel punten.



CE-keurmerk



Nationaal symbool van overeenstemming Oekraïne



EurAsian-symbool van overeenstemming.

TEKNISKE DATA	AKKU SLAGBØRE-/SKRUEMASKINE	M18 FDD	M18 FPD
Produktionsnummer		4524 89 03	4524 79 03
		...000001-999999	...000001-999999
Bor-ø i stål		13 mm	13 mm
Bor-ø i træ		45 mm	45 mm
Bor-ø i tegl og kalksandsten		13 mm	13 mm
Træskruer (uden forboring)		10 mm	10 mm
Omdrejningstal, ubelastet i 1. gear		0-550 min ⁻¹	0-550 min ⁻¹
Omdrejningstal, ubelastet i 2. gear		0-2000 min ⁻¹	0-2000 min ⁻¹
Slagantal i 1. gear		0-8800 min ⁻¹	0-8800 min ⁻¹
Slagantal i 2. gear		0-32000 min ⁻¹	0-32000 min ⁻¹
Drejningsmoment *1 (5,0 Ah)		135 Nm	135 Nm
Drejningsmoment *1 (3,0 Ah / 4,0 Ah)		18 V	18 V
Udskiftningsbatteriets spænding		1,5-13 mm	1,5-13 mm
Borepatronspændevide		2,3 kg	2,3 kg
Vægt svarer til EPTA-procedure 01/2003 (2,0 Ah)		2,5 kg	2,5 kg
Vægt svarer til EPTA-procedure 01/2003 (5,0 Ah)			

Støj/Vibrationsinformation

Måleværdier beregnes iht. EN 60745.

Værktøjets A-vægtede lydtrykniveau er typisk

Lydtrykniveau (Usikkerhed K=3dB(A))

Lydeffekt niveau (Usikkerhed K=3dB(A))

Brug høreværn!

Samlede vibrationsværdier (værdisum for tre retninger) beregnet iht. EN 60745.

Vibrationseksponering a,

Slagboring i beton

Usikkerhed K=

Boring i metal

Usikkerhed K=

Skruning

Usikkerhed K=

*1 Målt i.h.t. Milwaukee Standard N 877318

ADVARSEL

Svingningsniveauet, som er angivet i disse anvisninger, er målt i henhold til standardiseret måleprocedure ifølge EN 60745 og kan anvendes til indbyrdes sammenligning mellem el-værktøjer. Svingningsniveauet er ligeledes egnet som foreløbigt skøn over svingningsbelastningen.

Det angivne svingningsniveau er baseret på el-værktøjets primære anvendelsesformål. Hvis el-værktøjet benyttes til andre formål, med andet indsatsværktøj eller ikke vedligeholdes tilstrækkeligt, kan svingningsniveauet afvige. Dette kan øge svingningsbelastningen over den samlede arbejdsperiode betydeligt.

For en nøjagtig vurdering af svingningsbelastningen skal der også tages højde for de tidsperioder, hvor apparatet er slukket, eller hvor apparatet kører, men uden at være i anvendelse. Dette kan reducere svingningsbelastningen over den samlede arbejdsperiode betydeligt.

Supplerende sikkerhedsforanstaltninger til beskyttelse af brugeren mod påvirkninger fra svingninger skal værksættes, f.eks.: Vedligeholdelse af el-værktøj og indsatsværktøj, varmholdelse af hænder, organisering af arbejdsprocesser.

ADVARSEL! Læs alle sikkerhedsinformationer og instruktioner. I tilfælde af manglende overholdelse af advarselshenvisningerne og instrukserne er der risiko for elektrisk stød, brand og/eller alvorlige kvæstelser.

Opbevar alle advarselshenvisninger og instrukser til senere brug.

VEILIGHEIDINSTRUCTIES VOOR BOORMACHINES

Bær høreværn. Støjpåvirkning kan bevirke tab af hørelse.

Brug de ekstra håndtag, som følger med apparatet. Hvis kontrollen mistes, kan det medføre personskaade.

Houd het apparaat alléén aan de geïsoleerde grijpvlakken vast, wanneer u werkzaamheden uitvoert waarbij het snijgereedschap verborgen stroomleidingen zou kunnen raken. Het contact met een onder spanning staande leiding zet ook de metalen machinedelen onder spanning en leidt tot een elektrische schok.

VEILIGHEIDINSTRUCTIES VOOR SCHROEVENDRAAIERS

Houd het apparaat alléén vast aan de geïsoleerde grijpvlakken als u werkzaamheden uitvoert waarbij de schroef verborgen stroomleidingen zou kunnen raken. Het contact van de schroef met een spanningvoerende leiding kan de metalen apparaatdelen onder spanning zetten en zo tot een elektrische schok leiden.

YDERLIGERE SIKKERHEDS- OG ARBEJDSINFORMATIONER

Brug beskyttelsesudstyr. Bær altid sikkerhedsbriller, når du arbejder med maskinen. Vi anbefaler desuden brug af personlig beskyttelsesudrustning, såsom støvmaske, sikkerhedshandsker, fast og skridsikkert skotøj, hjelm og høreværn.

Støv, som opstår under arbejdet, er ofte sundhedsfarligt og bør ikke trænge ind i kroppen. Benyt egnet åndedrætsværn.

Der må ikke bearbejdes nogen materialer, der kan udgøre en sundhedsrisiko (f.eks. asbest).

Sluk straks for maskinen, hvis indsatsværktøjet er blokeret! Tænd ikke for maskinen igen, så længe indsatsværktøjet er blokeret; dette kan føre til et tilbageslag med højt reaktionsmoment. Find frem til og afhjælp årsagen til indsatsværktøjets blokering under hensyntagen til sikkerhedsinstruktionerne.

Mulige årsager hertil kan være:

- at det sidder i klemme i emnet der bearbejdes
- at det har brækket materialet der bearbejdes
- at el-værktøjet er overbelastet

Grib ikke ind i maskinen, når den kører.

Indsatsværktøjet kan blive varmt under brugen.

ADVARSEL! Fare for forbrændinger

- ved værktøjsskift
- når man lægger maskinen fra sig

Spåner eller splinter må ikke fjernes, medens maskinen kører.

Ved arbejdsboring i væg, loft eller gulv skal man passe på elektriske kabler, gas- og vandledninger.

Sørg for at sikre dit emne med en spændeordination. Ikke sikrede emner kan forårsage alvorlige kvæstelser og beskadigelser.

Ved arbejde inden i maskinen, bør batteriet tages ud.

Opbrugte udskiftningsbatterier må ikke brændes eller kasseres sammen med alm. husholdningaffald. Milwaukee har en miljørigtig bortskaffelse af gamle udskiftningsbatterier, henvend Dem til Deres forhandler.

Opbevar ikke udskiftningsbatterier sammen med metalgenstande af fare for kortslutning.

Brug kun M18 ladeapparater for opladning af System M18 batterier.

Udskiftningsbatterier og opladere må ikke åbnes og skal opbevares i tørre rum. Beskyt dem mod fugtighed.

I tilfælde af en ekstrem belastning eller ekstrem temperatur kan der flyde batterivæske ud af et beskadiget batteri. Hvis De kommer i berøring med batterivæske, skal den vaskes godt og grundigt af med vand og sæbe. I tilfælde af øjenkontakt, skal man mindst skylle øjnene godt og grundigt igennem i 10 minutter og omgående opsøge en læge.

Advarsel! For at undgå risiko for brand, kvæstelser eller beskadigelse af produktet forårsaget af kortslutning må værktøjet, batteripakken eller opladeren ikke nedsænkes i vand. Sørg ligeledes for, at der ikke trænger væske ind i enhederne og batterierne. Korroderende eller ledende væsker, f.eks. saltvand, bestemte kemikalier, blegestoffer eller produkter, som indeholder blegestoffer, kan forårsage kortslutning.

TILTÆNKT FORMÅL

M18 FDD: Akku bore-/skruemaskinen kan bruges universelt til boring og skruring uafhængigt af en nettislutning.

M18 FPD: Akku slagboremaskinen kan anvendes til alm. boreopgaver, slagboring og som skruemaskine uden tilslutning til stikkontakt.

Produktet må ikke anvendes på anden måde og til andre formål end foreskrevet.

CE-KONFORMITETSERKLÆRING

Vi erklærer som eneansvarlig, at det under "Tekniske data" beskrevne produkt stemmer overens med alle relevante forskrifter, der følger af direktiv 2011/65/EU (RoHS), 2014/30/EU, 2006/42/EF samt af følgende harmoniserede normative dokumenter:

EN 60745-1:2009 + A11:2010

EN 60745-2-1:2010

EN 60745-2-2:2010

EN 55014-1:2006 + A1:2009 + A2:2011

EN 55014-2:2015

EN 50581:2012

Winnenden, 2017-11-30



Alexander Krug
Managing Director



Autoriseret til at udarbejde de tekniske dokumenter.

Technich Industries GmbH
Max-Eyth-Straße 10
71364 Winnenden
Germany

BATTERI

Udskiftningsbatterier, der ikke har været brugt i længere tid, efterlades inden brug.

Ved temperaturer over 50°C formindskes batteriets effekt. Undgå direkte sollys og stærk varme.

Tilslutningskontakterne på oplader og udskiftningsbatterier skal holdes rene.

For at opnå en optimal levetid skal de genopladelige batterier oplades fuldt efter brug.

For at sikre en så lang levetid som muligt skal batterierne tages ud af ladeaggregatet efter opladning.

Skal batterierne opbevares længere end 30 dage:

Temperatur ca. 27°C i tørre omgivelser.

Opbevares ved ca. 30%-50% af ladetilstanden.

Batteri skal genoplades hver 6. måned.

OVERBELASTNINGSSIKRING FOR BATTERI

Overbelastes batteriet på grund af meget højt strømforbrug, f.eks. som følge af ekstremt høje drejningsmomenter, fastklemning af bor, pludseligt stop eller kortslutning, brummer el-værktøjet i 2 sekunder og slukker så af sig selv.

For at tænde igen slipper du trykknappen og tænder el-værktøjet på ny. Under ekstreme belastninger kan batteriet blive meget varmt. I så fald kobler batteriet fra.

Sæt batteriet i ladeadapteren for at genoplade det og aktivere det.

TRANSPORT AF LITHIUM-BATTERIER

Lithium-batterier er omfattet af lovgivningen om transport af farligt gods.

Transporten af disse batterier skal ske under overholdelse af lokale, nationale og internationale regler og bestemmelser.

- Forbrugere må transportere disse batterier på veje uden yderligere krav.
- Den kommercielle transport af lithium-batterier ved speditiionsfirmaer er omfattet af reglerne for transport af farligt gods. Forberedelsen af forsendelse og transport må kun udføres af tilsvarende trænedte personer. Den samlede proces skal følges af fagfolk.

Følgende punkter skal overholdes ved transport af batterier:

- Sørg for at kontakterne er beskyttet og isoleret for at forhindre kortslutninger.
- Sørg for at batteripakken ikke kan bevæge sig inden for emballagen.
- Beskadigede eller lækkelige batterier må ikke transporteres.

Kontakt dit speditiionsfirma for at få yderligere oplysninger.

VEDLIGEHOLDELSE

Brug kun Milwaukee-tilbehør og Milwaukee-reservedele. Komponenter, hvor udskiftningsproceduren ikke er beskrevet, skal skiftes ud hos et Milwaukee-servicecenter (se brochure garanti/kundeserviceadresser).

Hvis det er nødvendigt, kan der bestilles en sprængskitse af værktøjet. Angiv herved venligst maskintypen samt det sekscifrede nummer på mærkepladen og bestil tegningen hos din lokale kundeserviceafdeling eller direkte hos Technich Industries GmbH, Max-Eyth-Straße 10, 71364 Winnenden, Tyskland.

SYMBOLER



VIGTIGT! ADVARSEL! FARE!



Før ethvert arbejde ved maskinen skal stikket tages ud af stikdåsen.



Læs brugsanvisningen nøje før ibrugtagning.



Elektrisk udstyr eller (genopladelige) batterier må ikke bortskaffes sammen med det almindelige husholdningsaffald.

Elektrisk udstyr og genopladelige batterier skal indsamles særskilt og afleveres hos en genbrugsvirksomhed til en miljømæssig forsvarlig bortskaffelse.

Spørg de lokale myndigheder eller din forhandler om genbrugsstationer og indsamlingssteder til sådant affald.



CE-mærke



Nationalt overensstemmelsesmærke Ukraine



EurAsian overensstemmelsesmærke.

TEKNISKE DATA	BATTERIDREVT SLAGBORMASKIN/SKRUTREKKE	M18 FDD	M18 FPD
Produksjonsnummer.....	4524 89 03.....	4524 79 03...	...000001-999999
Bor-ø i stål.....	13 mm.....	13 mm.....	13 mm.....
Bor-ø i treverk.....	45 mm.....	45 mm.....	45 mm.....
Bor-ø i tegl og kalksandstein.....	13 mm.....	13 mm.....	13 mm.....
Treskruer (uten forboring).....	10 mm.....	10 mm.....	10 mm.....
Tomgangsturtall i 1. gir.....	0-550 min ⁻¹	0-550 min ⁻¹	0-550 min ⁻¹
Tomgangsturtall i 2. gir.....	0-2000 min ⁻¹	0-2000 min ⁻¹	0-2000 min ⁻¹
Slagtall i 1. gir.....	0-8800 min ⁻¹	0-8800 min ⁻¹	0-8800 min ⁻¹
Slagtall i 2. gir.....	0-32000 min ⁻¹	0-32000 min ⁻¹	0-32000 min ⁻¹
Dreiemoment *1 (5,0 Ah).....	135 Nm.....	135 Nm.....	135 Nm.....
Spennning vekselbatteri.....	18 V.....	18 V.....	18 V.....
Chuckspennområde.....	1,5-13 mm.....	1,5-13 mm.....	1,5-13 mm.....
Vekt i henhold til EPTA-Prosedyren 01/2003 (2,0 Ah).....	2,3 kg.....	2,3 kg.....	2,3 kg.....
Vekt i henhold til EPTA-Prosedyren 01/2003 (5,0 Ah).....	2,5 kg.....	2,5 kg.....	2,5 kg.....

Støy-/vibrasjonsinformasjon

Måleverdier fastslått i samsvar med EN 60 745.

Det A-bedømte lydnivået til maskinen er:

Lydtryknivå (Usikkerhet K=3dB(A)).....	74,5 dB (A).....	99,9 dB (A).....
Lydeffektnivå (Usikkerhet K=3dB(A)).....	85,5 dB (A).....	110,9 dB (A).....

Bruk hørselsvern!

Totale svingningsverdier (vektorsum fra tre retninger) beregnet jf. EN 60745.

Svingningsemisjonsverdi a _h	M18 FDD	M18 FPD
Slagboring i betong.....	13,2 m/s ²	13,2 m/s ²
Usikkerhet K=.....	1,5 m/s ²	1,5 m/s ²
Boring i metall.....	1,29 m/s ²	1,29 m/s ²
Usikkerhet K=.....	1,5 m/s ²	1,5 m/s ²
Skruing.....	1,33 m/s ²	1,33 m/s ²
Usikkerhet K=.....	1,5 m/s ²	1,5 m/s ²

*1 Målt etter Milwaukees standard N 877318

ADVARSEL

Svingningsnivået som er angitt i denne instruksjonen er målt i overensstemmelse med målemetoden normert i direktiv EN 60745 og kan brukes til å sammenligne elektriske maskiner med hverandre. Den egner seg også for en foreløpig vurdering av svingningsbelastningen.

Det angitte svingningsnivået representerer de hovedsaklige bruk av elektroverktøyet. Men anvendes elektroverktøyet for andre bruk med avvikende utskiftbare verktøy eller vedlikeholdet er utilstrekkelig, kan svingningsnivået være avvikende.

Dette kan forhøye svingningsbelastning betydelig over hele arbeidsperioden. For en nøyaktig vurdering av svingningsbelastningen må også det tas hensyn til tiden apparatet er avslått eller står på, men ikke er i bruk. Dette kan redusere svingningsbelastningen betydelig over hele arbeidsperioden.

Infør også ekstra sikkerhetstiltak for å beskytte bruker mot utvirkningen av svingningene. Disse kan f.eks. være: vedlikehold av elektroverktøyet og det utskiftbare verktøyet, holde hendene varme, organisasjon av arbeidsforløpet.

⚠ OBS! Les alle sikkerhetsinstruksjoner og bruksanvisninger. Feil ved overholdelsen av advarslene og nedenstående anvisninger kan medføre elektriske støt, brann og/eller alvorlige skader.
Ta godt vare på alle advarslene og informasjonene.

⚠ SIKKERHETSINSTRUKSER FOR BOREMASKINER

Bruk hørselsvern. Støy kan føre til tap av hørselen

Bruk de med apparatet medleverte tileggshandtak. Tap av kontrollen kan føre til skader.

Hold apparatet i de isolerte holdeflatene, når det arbeides på steder hvor elektroverktøyet kan treffe skjulte strømledninger. Kontakt med en spenningsførende ledning setter også maskinens metalldele under spenning og fører til elektriske støt.

⚠ SIKKERHETSINSTRUKSER FOR SKRUTREKKERE

Hold apparatet i de isolerte holdeflatene, når arbeid utføres hvor skruen kan treffe skjulte strømledninger. Kontakt av skruen med en strømførende ledning kan sette apparatets metalldele under spenning og føre til elektrisk slag.

YTTERRIGE SIKKERHETS- OG ARBEIDSINSTRUKSJONER

Bruk vernebekledning. Ta alltid på vernebrille ved bruk av maskinen. Vernebekledning så vel som støvmaske, vernehansker, fast og sklisikkert skotøy, hjem og hørselsvern er anbefalt.

Støvet som oppstår ved arbeidet er ofte helsefarlig og skal ikke komme i kontakt med kroppen. Bruk derfor vernemaske som er egnet for støv.

Materialer som er helsefarlig skal ikke bearbeides (f.eks.. asbest)

Slå av apparatet med en gang dersom det isatte verktøyet er blokkert! Ikke slå apparatet på igjen så lenge det isatte verktøyet er blokkert; her kan det oppstå et tilbakeslag med høyt reaksjonsmoment. Finn ut hvorfor det isatte verktøyet blokkerer og fjern årsaken til dette. Ta herved hensyn til sikkerhets instruksene.

Mulige årsaker til dette kan være:

- det har forkantet seg i arbeidsemnet som bearbeides
- det har brekt igjennom materialet som bearbeides
- elektroverktøyet er overbelastet

Ikke grip inn i maskinen når den står på og går.

Isatt verktøy kan i bruk bli veldig varmt.

ADVARSEL! Fare for forbrenning

- ved skifting av verktøy
- når apparatet legges ned

Spon eller fliser må ikke fjernes mens maskinen er i gang.

Pass på kabler, gass- og vannledninger når du arbeider i vegger, tak eller gulv.

Klem fast arbeidsemnet med en spenninretning. Ikke sikrede arbeidsemner kan ha alvorlige helseskader og skader av material til følge.

Ta ut vekselbatteriet før du arbeider på maskinen

Ikke kast brukte vekselbatterier i varmen eller husholdningsavfallet. Milwaukee tilbyr en miljøriktig deponering av gamle vekselbatterier; vennligst spør din fagforhandler.

Ikke oppbevar vekselbatterier sammen med metallgjenstander (kortslutningsfare).

Vekselbatterier av systemet M18 skal kun lades med lader av systemet M18. Ikke lad opp batterier fra andre systemer.

Ikke åpne vekselbatterier og ladere, de skal oppbevares i tørre rom. Beskyttes mot fuktighet.

Under ekstreme belastninger og ekstreme temperaturer kan det lekke ut batterivæske fra utskiftbare batterier. Ved berøring med batterivæske, vask umiddelbart med såpe og vann. Ved kontakt med øynene må øynene skylles grundig i rennende vann i minst 10 minutter. Oppsøk lege umiddelbart.

Advarsel! For å unngå fare for en brann forårsaket av en kortslutning, av personskader eller skader av produktet, må det forhindres at batteripakken eller laderen dyppes i væsker og også sørges for at ingen væsker kan komme inn i apparatene eller batteriene. Korroderende og ledende væsker som saltvann, visse kjemikalier og blekemidler eller produkt som inneholder blekemidler kan forårsake en kortslutning.

FORMÅLSMESSIG BRUK

Batteri-elektronikk-slagboreskrutrekkeren kan brukes universelt til boring, slagboring og skruing uavhengig av nettilkopling.

Dette apparatet må kun brukes til de oppgitte formål.

CE-SAMSVARERKLÆRING

M18 FDD: Batteri-boreskrutrekkeren kan brukes universalt for boring og skruing uavhengig av nettilkopling.

M18 FPD: Vi erklærer i alene ansvar at produktet beskrevet i "Tekniske data" overensstemmer med alle relevante forskrifter til Eu direktiv 2011/65/EU (RoHS), 2014/30/EU, 2006/42/EF og de følgende harmoniserte normative dokumentene.

EN 60745-1:2009 + A11:2010
EN 60745-2-1:2010
EN 60745-2-2:2010
EN 55014-1:2006 + A1:2009 + A2:2011
EN 55014-2:2015
EN 50581:2012

Winnenden, 2017-11-30

Alexander Krug

Alexander Krug
Managing Director



Autorisert til å utarbeide den tekniske dokumentasjonen

Technonic Industries GmbH
Max-Eyth-Straße 10
71364 Winnenden
Germany

BATTERIER

Vekselbatterier som ikke er brukt over lengre tid skal etterlades før bruk.

En temperatur over 50°C reduserer vekselbatteriets kapasitet. Unngå oppvarming i sol eller ved varmeovner (fyring) i lengre tid.

Hold tilkoplingskontaktene på lader og vekselbatteri rene.

For en optimal levetid må batteriene etter bruk ladet helt opp.

For å sikre en lengst mulig brukstid av batteriene skal disse etter oppladning taes ut av laderen.

Ved lagring av batteriene lengre enn 30 dager:

Lagre batteriet tørt ved ca. 27°C.

Lagre batteriet ved en oppladningstilstand på ca. 30%-50%.

Lade opp batteriet igjen etter 6 måneder.

OVERBELASTNINGSVERN FOR OPPLADBARE BATTERIER

Ved overbelastning av det oppladbare batteriet p.g.a. svært høy strømforbruk, for eksempel ved ekstrem høye dreiemoment, fastklemming av boret, plusselig stopp eller kortslutning, brummer elektroverktøyet 2 sekunder og slår seg så automatisk av. For å slå det på igjen, må man slippe trykkbryteren og så slå på igjen.

Ved ekstreme belastninger kan det oppladbare batteriet bli sterkt opphetet. I slike tilfeller kobler batteriet seg ut.

Sett batteriet da i laderen for å få det oppladet og aktivert igjen.

TRANSPORT AV LITIUUM-ION-BATTERI

Litium-ion-batterier faller under de lovfestede forskriftene om transport av farlig gods.

Transporten av disse batteriene må rette seg etter lokale, nasjonale og internasjonale forskrifter og bestemmelser.

- Forbruker har lov å transportere disse batteriene på gaten uten reglementering.
- Den kommersielle transport av Litium-ion-batterier av spedisjonsfirma faller under bestemmelsene om transport av farlig gods. Forberedningene av forsendelsen og transport skal utelukkende gjennomføres av personer som har blitt skolert til dette. Hele prosessen skal følges opp av fagfolk.

Følgende punkter skal tas hensyn til ved transport:

- Kontroller at kontaktene er beskyttet og isolert for å unngå kortslutninger.
- Pass på at batteripakken i forpakningen ikke kan skli fram og tilbake.
- Skadede eller batterier som lekker er det ikke lov å transportere.

Ta kontakt med spedisjonsfirma for ytterlige henvisninger.

VEDLIKEHOLD

Bruk kun Milwaukee tilbehør og Milwaukee reservedeler. Komponenter der utskifting ikke er beskrevet skal skiftes ut hos Milwaukee kundeservice (se brosjyre garanti/kundeserviceadresser).

Ved behov kan det fås en eksplosjonsteikning av apparatet hos kundeservice eller direkte hos Technonic Industries GmbH, Max-Eyth-Straße 10, 71364 Winnenden, Germany ved angivelse av maskinens type og det sekstallige nummeret på maskinens skilt.

SYMBOLER



OBS! ADVARSEL! FARE!



Trekk støpset ut av stikkkontakten før du begynner arbeider på maskinen.



Les nøye gjennom bruksanvisningen før maskinen tas i bruk.



Elektriske apparater, batterier/oppladbare batterier skal ikke kastes sammen med vanlig husholdningsavfall.

Elektriske og elektroniske apparater og oppladbare batterier skal samles separat og leveres til miljøvennlig deponering hos en avfallsbedrift. Informer deg hos myndighetene på stedet eller hos din fagforhandler hvor det finnes recycling bedrifter og oppsamlingssteder.



CE-tegn



Nasjonalt Konformitetstegn Ukraina



EurAsian Konformitetstegn.

TEKNISKA DATA	BATTERIDRIVEN SLAGBORRMASKIN/SKRUVDRAGARE	M18 FDD	M18 FPD
Produktionsnummer	4524 89 03.....	4524 79 03...	...000001-999999
Borrdiam. in stål.....	13 mm	13 mm	13 mm
Borrdiam. in trä.....	45 mm	45 mm	45 mm
Borrdiam. tegel, kalksten.....	13 mm	13 mm	13 mm
Tråskruvning (utan förborring).....	10 mm	10 mm	10 mm
Obelastat varvtal 1:a växel.....	0-550 min ⁻¹	0-550 min ⁻¹	0-550 min ⁻¹
Obelastat varvtal 2:a växel.....	0-2000 min ⁻¹	0-2000 min ⁻¹	0-2000 min ⁻¹
Slagtal 1:a växel.....	0-8800 min ⁻¹	0-8800 min ⁻¹	0-8800 min ⁻¹
Slagtal 2:a växel.....	0-32000 min ⁻¹	0-32000 min ⁻¹	0-32000 min ⁻¹
Vridmoment *1 (5,0 Ah).....	135 Nm	135 Nm	135 Nm
Batterispänning.....	18 V	18 V	18 V
Chuckens spännområde.....	1,5-13 mm	1,5-13 mm	1,5-13 mm
Vikt enligt EPTA 01/2003 (2,0 Ah).....	2,3 kg.....	2,3 kg	2,3 kg
Vikt enligt EPTA 01/2003 (5,0 Ah).....	2,5 kg.....	2,5 kg	2,5 kg

Buller-/vibrationsinformation

Mätvärdena har tagits fram baserat på EN 60 745.

A-värdet av maskinens ljudtrycksnivå är

Ljudtrycksnivå (Onoggrannhet K=3dB(A))..... 74,5 dB (A) 99,9 dB (A)

Ljudeffektnivå (Onoggrannhet K=3dB(A))..... 85,5 dB (A) 110,9 dB (A)

Använd hörselskydd!

Totala vibrationsvärden (vektorsumma ur tre riktningar) framtaget enligt EN 60745.

Vibrationsemissionsvärde a_h

Slagborrning i betong..... 13,2 m/s²

Onoggrannhet K=..... 1,5 m/s²

Borrning i metall..... 1,29 m/s²..... 1,29 m/s²

Onoggrannhet K=..... 1,5 m/s²..... 1,5 m/s²

Skruvning..... 1,33 m/s²..... 1,33 m/s²

Onoggrannhet K=..... 1,5 m/s²..... 1,5 m/s²

*1 Uppmätt enligt Milwaukee Standard N 877318

VARNING

Den i de här anvisningarna angivna vibrationsnivån har uppmätts enligt ett i EN 60745 normerat mätförfarande och kan användas vid jämförelse mellan olika elverktyg. Nivån är även lämplig att använda vid en preliminär bedömning av vibrationsbelastningen.

Den angivna vibrationsnivån representerar den huvudsakliga användningen av det aktuella elverktyget. Men om elverktyget ska användas i andra användningsområden, tillsammans med avvikande insatsverktyg eller efter otillräckligt underhåll, kan vibrationsnivån skilja sig. Det kan öka vibrationsbelastningen betydligt under hela arbetstiden.

För att få en exaktare bedömning av vibrationsbelastningen ska även den tid beaktas, under vilken elverktyget är avstängt eller är påslaget, utan att det verkligen används. Det kan reducera vibrationsbelastningen betydligt under hela arbetstiden.

Lägg som skydd för användaren fast extra säkerhetsåtgärder mot vibrationernas verkan, som till exempel: underhåll av elverktyg och insatsverktyg, varmhållning av händer och organisering av arbetsflöpp.

⚠ VARNING! Läs all säkerhetsinformation och alla anvisningar. Fel som uppstår till följd av att anvisningarna nedan inte följs kan orsaka elstöt, brand och/eller allvarliga kroppsskador.

Förvara alla varningar och anvisningar för framtida bruk.

⚠ SÄKERHETSINSTRUKTIONER FÖR BORRMASKINER

Bär hörselskydd. Bullerbelastning kan orsaka hörselskador.

Använd de extrahandtag som levereras tillsammans med maskinen.

Förlust av kontrollen kan leda till personskador.

Håll fast apparaten med hjälp av de isolerade greppytorna när du utför arbeten där arbetsverktyget skulle kunna träffa på dolda elledningar.

Om sägen kommer i kontakt med en spänningsförande ledning sätts sägens metalldelar under spänning som sedan kan leda till elektriskt slag.

⚠ SÄKERHETSINSTRUKTIONER FÖR SKRUVARE

Håll apparaten i de isolerade greppytorna när ni utför arbeten där skruven kan träffa dolda elkablar. Skruvens kontakt med en strömförande ledning kan sätta apparatdelar av metall under spänning och leda till elektrisk stöt.

ÖVRIGA SÄKERHETS- OCH ANVÄNDNINGSSINSTRUKTIONER

Använd skyddsutrustning. Använd alltid skyddsglasögon när du använder maskinen. Som skyddsutrustning rekommenderar vi i ex en dammskyddsmask, skyddshandskar, stabila och halksäkra skor, hjälm och hörselskydd.

Det damm som bildas under arbetets gång är ofta hälsofarligt och det ska inte komma in i kroppen. Bär därför lämplig skyddsmask.

Det är inte tillåtet att bearbeta material som kan vara hälsovärdigt (t.ex. asbest).

Stång av maskinen omedelbart om ett verktyg som används sitter fast! Sätt sedan inte på maskinen igen så länge som verktyget som används fortfarande sitter fast; risk för okontrollerade slag med högt reaktionsmoment. Ta reda på orsaken varför verktyget fastnade och åtgärda orsaken med hänsyn till säkerhetsanvisningarna.

Möjliga orsaker kan vara:

- Verktyget sitter snett i arbetsstycket
- Verktyget går igenom materialet som bearbetas
- Elverktyget är överbelastat

Gå aldrig med händerna in i en maskin som är igång.

Verktyget som används kan bli mycket varmt under användningen.

VARNING! Risk för brännskador

- vid verktygsbyte
- när man lägger ifrån sig maskinen

Avlägsna aldrig spån eller filsor när maskinen är igång.

Vid arbetenborrning i vägg, tak eller golv, var alltid observant på befintliga el-, gas- eller vattenledningar.

Säkra arbetsstycket med en fastspänningsanordning. Arbetsstycken som inte är ordentligt fastspända kan leda till allvarlig kroppsskada eller annan skada.

Drag ur batteripaket innan arbete utföres på maskinen.

Kasta inte förbrukade batterier. Lämna dem till Milwaukee Tools för återvinning.

Förvara ej batteriet ihop med metallföremål, kortslutning kan uppstå.

System M18 batterier laddas endast i System M18 laddare. Ladda inte batterier från andra system.

Batterier lagras torrt och skyddas för fukt.

Under extrem belastning eller extrem temperatur kan batterivätska tränga ut ur skadade utbytesbatterier. Vid beröring med batterivätska tvätta genast av med vatten och tvål. Vid ögonkontakt spola genast i minst 10 minuter och kontakta genast läkare.

Varning! För att undvika den fara för brand, personskador eller produktskador som orsakas av en kortslutning, doppa inte ner verktyget, utbytesbatteriet eller laddaren i vätskor och se till att ingen vätska kan tränga in i apparaterna eller batterierna. Korroderande eller ledande vätskor, som saltvatten, vissa kemikalier, blekningsmedel eller produkter som innehåller blekmedel, kan orsaka en kortslutning.

ANVÄND MASKINEN ENLIGT ANVISNINGARNA

M18 FDD: Denna Akkumaskin är användbar för både borrning och skruvning.

M18 FPD: Denna Akku-elektronikmaskin är användbar för både borrning, slagborrning och skruvning.

Maskinen får endast användas för angiven tillämpning.

CE-FÖRSÄKRAN

Vi intygar och ansvarar för att den produkt som beskrivs under "Tekniska data" överensstämmer med alla relevanta bestämmelser i direktiv 2011/65/EU (RoHS), 2014/30/EU, 2006/42/EG och följande harmoniserade normerande dokument:

EN 60745-1:2009 + A11:2010

EN 60745-2-1:2010


EN 60745-2-2:2010

EN 55014-1:2006 + A1:2009 + A2:2011

EN 55014-2:2015

EN 50581:2012

Winnenden, 2017-11-30



Alexander Krug

Managing Director

Befullmäktigad att sammanställa teknisk dokumentation.

Techtronic Industries GmbH

Max-Eyth-Strasse 10

71364 Winnenden

Germany

BATTERIER

Batteri som ej använts på länge måste laddas före nytt bruk.

En temperatur över 50°C reducerar batteriets effekt. Undvik långre uppvärmning tex i solen eller nära ett element.

Se till att anslutningskontaktarna i laddaren och på batteriet är rena.

För en optimal livslängd ska batterierna laddas helt igen efter användningen.

För att få en så lång livslängd som möjligt bör laddningsbara batterier avlägsnas från laddaren när de är laddade.

Om laddningsbara batterier lagras längre än 30 dagar:

Lagra batteriet torrt och vid ca 27°C.

Lagra batteriet vid ca 30%-50% av laddningskapaciteten.

Ladda batterierna på nytt var 6:e månad.

BATTERI-ÖVERBELASTNINGSSKYDD

Om det uppladdningsbara batteriet överbelastas på grund av mycket hög strömförbrukning, till exempel vid extremt höga vridmoment, fastklämning av boret, plötsligt stopp eller kortslutning, brummar elverktyget i 2 sekunder och stängs sedan av automatiskt.

Släpp därefter först upp tryckknappen och slå sedan på elverktyget igen, om du vill fortsätta bearbetningen.

Vid extrem belastning kan batteriet bli väldigt varmt. I ett sådant fall stängs

batteriet av automatiskt.

Sätt då batteriet i laddaren för att ladda upp och aktivera det igen.

TRANSPORTERA LITIUMJON-BATTERIER

För litiumjon-batterier gäller de lagliga föreskrifterna för transport av farligt gods på väg.

Därför får dessa batterier endast transporteras enligt gällande lokala, nationella och internationella föreskrifter och bestämmelser.

- Konsumenter får transportera dessa batterier på allmän väg utan att behöva beakta särskilda föreskrifter.
- För kommersiell transport av litiumjon-batterier genom en speditorsfirma gäller emellertid bestämmelserna för transport av farligt gods på väg. Endast personal som känner till alla tillämpliga föreskrifter och bestämmelser får förbereda och genomföra transporten. Hela processen ska följas upp på fackmässigt sätt.

Följande ska beaktas i samband med transporten av batterier:

- Säkerställ att alla kontakter är skyddade och isolerade för att undvika kortslutning.
- Se till att batteripacken inte kan glida fram och tillbaka i förpackningen.
- Transportera aldrig batterier som läcker, har runnit ut eller är skadade.

För mer information vänligen kontakta din speditorsfirma.

SKÖTSEL

Använd endast Milwaukee-tillbehör och Milwaukee-reservdelar. Komponenter, för vilka inget byte beskrivs, skall bytas ut hos Milwaukee-kundtjänst (se broschyren garanti-/kundtjänstadresser).

Vid behov kan du rekvidera apparatens sprängskiss antingen hos kundservicen eller direkt hos Techtronic Industries GmbH, Max-Eyth-Strasse 10, 71364 Winnenden, Germany. Du ska då ange maskintypen och numret på sex siffror som står på effektskytlen.

SYMBOLER



OBSERVERA! VARNING! FARA!



Drag alltid ur kontakten när du utför arbeten på maskinen.



Läs instruktionen noga innan du startar maskinen.



Elektriska maskiner, batterier/uppladdningsbara batterier och får inte slängas tillsammans med de vanliga hushållssoporna. Elektriska maskiner och uppladdningsbara batterier ka samlas separat och lämnas till en avfallsstation för miljövänlig avfallshantering. Kontakta den lokala myndigheten respektive kommunen eller fråga återförsäljare var det finns speciella avfallsstationer för elskrot.



CE-symbol



Nationell symbol för överensstämmelse Ukraine



EurAsian överensstämmelsesymbol.

TEKNISET ARVOT	AKKU-ISKUPORAKONE/RUUVINKIERRIN	M18 FDD	M18 FPD
Tuotantnumero	4524 89 03	4524 79 03...	...
	000001-999999	000001-999999	000001-999999
Poran ø teräkseen	13 mm	13 mm	13 mm
Poran ø puuhun	45 mm	45 mm	45 mm
Poran ø tiiliin ja kalkkiihiekakiviin	13 mm	13 mm	13 mm
Puuruvi (ilman esiporausta)	10 mm	10 mm	10 mm
Kuormittamaton kierrosuku 1. vaihteella	0-550 min ⁻¹	0-550 min ⁻¹	0-550 min ⁻¹
Kuormittamaton kierrosuku 2. vaihde	0-2000 min ⁻¹	0-2000 min ⁻¹	0-2000 min ⁻¹
Iskutaajuus 1. vaihteella	0-8800 min ⁻¹	0-8800 min ⁻¹	0-8800 min ⁻¹
Iskutaajuus 2. vaihde	0-32000 min ⁻¹	0-32000 min ⁻¹	0-32000 min ⁻¹
Vääntömomentti *1 (5,0 Ah)	135 Nm	135 Nm	135 Nm
Jännite vaihtoakku	18 V	18 V	18 V
Istukan aukeama	1,5-13 mm	1,5-13 mm	1,5-13 mm
Paino EPTA-menettelyn 01/2003 mukaan (2,0 Ah)	2,3 kg	2,3 kg	2,3 kg
Paino EPTA-menettelyn 01/2003 mukaan (5,0 Ah)	2,5 kg	2,5 kg	2,5 kg

Melunpäästö-/tärintätiedot

Mitta-arvot määritetty EN 60 745 mukaan.

Yleensä työkalun A-luokan melutaso

Melutaso (Epävarmuus K=3dB(A))

Äänenvoimakkuus (Epävarmuus K=3dB(A))

Käytä kuulosuojaimia!

Värähtelyn yhteisarvot (kolmen suunnan vektorisumma) mitattuna EN 60745 mukaan.

Värähtelyemissioarvo a

Betonin iskuporaaminen

Epävarmuus K=

Metallin poraaminen

Epävarmuus K=

Ruuvinvääntö

Epävarmuus K=

*1 Mitattu Milwaukeen normin N 877318 mukaan

VAROITUS

Näissä ohjeissa mainittu värähtelytaso on mitattu EN 60745 -standardin mukaisella mittausmenetelmällä ja sitä voidaan käyttää sähkötyökalujen vertaamiseen. Sitä voidaan käyttää myös värähtelyrasituksen väliaikaiseen arviointiin.

Mainittu värähtelytaso edustaa sähkötyökalun pääasiallista käyttöä. Jos sähkötyökalua kuitenkin käytetään muihin tehtäviin, poikkeavin työkaluin tai riittämättömästi huoltaen, värähtelytaso voi olla erilainen. Se voi korottaa värähtelyrasitusta koko työajan osalta.

Tarkan värähtelyrasituksen toteamiseen tulee ottaa huomioon aika, jona laite on kytketty pois tai on kylkillän päällä, mutta ei käytössä. Se voi pienentää värähtelyrasitusta koko työajan osalta.

Määrittele lisäturvatoimenpiteitä käyttäjän suojaamiseksi värinöiden vaikutukselta, kuten esimerkiksi: sähkötyökalujen ja käyttötyökalujen huolto, käsien lämpiminä pitäminen, työvaihtelun organisaatio.

VAROITUS! Lue kaikki turvallisuusmääräykset ja ohjeet.

Turvallisuusohjeiden noudattamisen laiminlyönti saattaa johtaa sähköiskuun, tulipaloon ja/tai vakavaan loukkaantumiseen.

Säilytä kaikki turvallisuus- ja muut ohjeet tulevaisuutta varten.

PORAKONEIDEN TURVALLISUUSOHJEET

Käytä korvasuojia. Alistuminen melulle voi vahingoittaa kuuloa.

Käytä koneen mukana toimitettua apukahvaa. Koneen hallinnan menetys saattaa aiheuttaa henkivahinkoja.

Pitele laitetta vain eristetyistä tarttumapinnoista, kun suoritat sellaisia töitä, joissa leikkaustyökalu saattaa osua piilossa oleviin sähköjohtoihin. Kosketus jännitteeseen johtoon saattaa myös koneen metalliosat jännitteiseksi ja johtaa sähköiskuun.

RUUVAAJAN TURVALLISUUSOHJEET

Pitele laitteesta kiinni sen eristetyistä kahvoista suorittaessasi töitä, joiden aikana ruuvi saattaa osua piilossa oleviin sähköjohtoihin. Ruuvien kosketus jännitteelliseen johtoon saattaa tehdä laitteen metalliosat jännitteelliseksi ja aiheuttaa sähköiskun.

TÄYDENTÄVIÄ TURVALLISUUSMÄÄRÄYKSIÄ JA TYÖSKENTELYOHJEITA

Käytä suojavausteita. Käytä aina suojalaseja käyttäessäsi konetta. Suosittelemme suojavausteiden käyttöä, näihin kuuluvat pölysuojanaamarit, työkasineet, tukevat, luistamattomat jalkineet, kypärä ja kuulosuojukset.

Koneen käytöstä aiheutuva pöly ja jäte voi olla haitallista terveydelle eikä sen vuoksi tulisi päästä kosketukseen ihon kanssa. Koneella työskennellessä on käytettävä sopivaa suojainta.

Terveydellisiä vaaroja aiheuttavien materiaalien (esim. asbestin) työstäminen on kielletty.

Jos käytetty työkalu juuttuu kiinni, sammuta laite heti! Älä kytkä laitetta uudelleen päälle työkalun ollessa vielä kiinni juuttuneena, koska tästä saattaa aiheutua voimakas takaisku. Selvitä työkalun juuttumisen syy ja poista syy turvallisuusmääräyksiä noudattaen.

Mahdollisia syitä voivat olla:

- työkalun vinoutuminen työstökappaleessa
- työstetyn materiaalin puhkaiseminen
- sähkötyökalun ylikuormitus

Älä tartu käynnissä olevan koneen työosiin.

Käytetty työkalu saattaa kuumeta käytön aikana.

VAROITUS! Palovamman vaara

- työkalua vaihdettaessa
- laitetta pois laskettaessa

Lastuja tai puruja ei saa poistaa koneen käydessä.

Varo seinään, kattoon tai lattiaan porattaessa osumasta sähköjohtoon, kaasu- ja vesijohtoihin.

Varmista työstökappaleesi kiinnityslaitteella paikalleen. Varmistamattomat työstökappaleet saattavat aiheuttaa vakavia vammoja ja vaurioita.

Ota akku pois ennen kaikkia koneeseen tehtäviä toimenpiteitä.

Käytettyjä vaihtoakkuja ei saa polttaa eikä poistaa normaalin jätehuollon kautta. Milwaukeella on tarjolla vanhoja vaihtoakkuja varten ympäristöystävällinen jätehuoltopalvelu.

Vaihtoakkuja ei saa säilyttää yhdessä metalliesineiden kanssa (oikosulkuvaara).

Käytä ainoastaan System M18 latauslaitetta System M18 akkujen lataukseen. Älä käytä muiden järjestelmien akkuja.

Vaihtoakkuja ja latauslaitteita ei saa avata. Säilytys vain kuivissa tiloissa. Suojattava kosteudelta.

Vaurioituneesta akusta saattaa erityisen kovassa käytössä tai poikkeavassa lämpötilassa vuotaa akkuhappoa. Ihonkohta, joka on joutunut kosketukseen akkuhapon kanssa on viipymättä pestävä vedellä ja saippualla. Silmä, johon on joutunut akkuhappoa, on huuhdeltava vedellä vähintään 10 minuutin ajan, jonka jälkeen on viipymättä hakeuduttava lääkärin apuun.

Varoituis! Jotta vältetään lyhytsulun aiheuttama tulipalon, loukkaantumisen tai tuotteen vahingoittumisen vaara, älä koskaan upota työkalua, vaihtoakkuja tai latauslaitetta nesteeseen ja huolehdi siitä, ettei mitään nesteitä pääse tunkeutumaan laitteiden tai akkujen sisään. Syövyttävät tai sähköä johtavat nesteet, kuten suolavesi, tietyt kemikaalit ja lalkausaineet tai valkaisuaineita sisältävät tuotteet voivat aiheuttaa lyhytsulun.

TARKOITUKSEN MUKAINEN KÄYTTÖ

M18 FDD: Akkuporakone/ruuvinväännin on akkukäyttöinen ja toimii ilman verkkojohtoa.

M18 FPD: Elektronisella akkuisukuporakoneella voi porata, iskuporata ja ruvata ilmanverkkojohtoa. Koneessa on seuraavat ominaisuudet:

Älä käytä tuotetta ohjeiden vastaisesti.

TODISTUS CE-STANDARDIN MUKAISUUDESTA

Vakuutamme yksinvastuullisesti, että kohdassa "Tekniset tiedot" kuvattu tuote vastaa kaikkia siitä koskevia direktiivien 2011/65/EU (RoHS), 2014/30/EU, 2006/42/EY määräyksiä sekä seuraavia harmonisoituja standardisoivia asiakirjoja:

EN 60745-1:2009 + A11:2010

EN 60745-2-1:2010

EN 60745-2-2:2010

EN 55014-1:2006 + A1:2009 + A2:2011

EN 55014-2:2015

EN 50581:2012

Winnenden, 2017-11-30



Alexander Krug
Managing Director



Valtuutettu kokoamaan tekniset dokumentit.

Techtronic Industries GmbH

Max-Eyth-Straße 10

71364 Winnenden

Germany

AKKU

Pitkään käyttämättä olleet vaihtoakut on ladattava ennen käyttöä.

Yli 50°C lämpötilassa akun suorituskyky heikkenee. Välttämättä akkujen säilyttämistä auringossa tai kuumissa tiloissa.

Pidä aina latauslaitteen ja akun kosketinpinnat puhtaina.

Akut on ladattava täyteen käytön jälkeen optimaalisen eliniän säilyttämiseksi.

Mahdollisimman pitkän elinajan takaamiseksi akut tulee poistaa laturista lataamisen jälkeen.

Akkuja yli 30 päivää säilytettäessä:

Säilytä akku yli 27 °C:ssa ja kuivassa.

Säilytä akku sen latauksen ollessa 30 % - 50 %.

Lataa akku 6 kuukauden välein uudelleen.

AKUN YLIKUORMITUSSUOJAUS

Jos akku ylikuormittuu erittäin suuren virrankulutuksen vuoksi, esim. erittäin suurten vääntömomenttien, poran terän kiinnijuuuttumisen, äkillisen pysähtymisen tai lyhytsulun vuoksi, niin sähkötyökalu surisee 2 sekunnin ajan ja sammuu sitten omatoimisesti.

Käynnistä laite uudelleen päälle käyttämällä katkaisinpainike irti ja kytkemällä se sitten uudelleen.

Erittäin suuressa kuormituksessa saattaa akku kuumeta liikaa. Tässä

tapauksessa akku kytketty pois.

Työnnä akku sitten latauslaitteeseen ja lataa se jälleen, jotta se aktivoituu.

LITIUMI-IONI AKKUKUJEN KULJETTAMINEN

Litiumi-ioniakut kuuluvat vaarallisten aineiden kuljetuksesta annettujen lakien piiriin.

Näiden akkujen kuljettaminen täytyy suorittaa noudattaen paikallisia, kansallisia ja kansainvälisiä määräyksiä ja säädöksiä.

- Kuluttajat saavat ilman muuta kuljettaa näitä akkuja teitä pitkin.
- Kaupallisessa kuljetuksessa huolintaliikkeiden täytyy kuljettaa litiumi-ioniakkuja vaarallisten aineiden kuljetuksesta annettujen määräysten mukaisesti. Ainoastaan tähän vastaavasti koulutetut henkilöt saavat suorittaa kuljetuksen valmisteluun ja itse kuljetuksen. Koko prosessia tulee valvoa asiantuntevasti.

Seuraavat kohdat tulee huomioida akkuja kuljetettaessa:

- Varmista, että akkujen kontaktit on suojattu ja eristetty, jotta vältetään lyhytsulut.
- Huolehdi siitä, ettei akkusarja voi luiskahtaa paikaltaan pakkauksen sisällä.
- Vahingoittuneita tai vuotavia akkuja ei saa kuljettaa.

Pyydä tarkemmat tiedot huolintaliikkeeltäsi.

HUOLTO

Käytä ainoastaan Milwaukeen lisätarvikkeita ja Milwaukeen varaosia. Mikäli jokin komponentti, jota ei ole kuvailtu, tarvitsee vaihtoa ota yhteys johonkin Milwaukeen palvelupisteistä (kts. listamme takuuhuoltoilikkeiden/ palvelupisteiden osoitteista)

Tarvittaessa voit pyytää laitteen räjähdyspiirustuksen ilmoittaan konetyyppin ja tyyppikilvessä olevan kuusinumeroisen luvun huoltopalvelustasi tai suoraan osoitteella Techtronic Industries GmbH, Max-Eyth-Strasse 10, 71364 Winnenden, Saksa.

SYMBOLIT



HUOMIO! VAROITUS! VAARA!



Irrota aina pistotulppa seinäkoskettimesta ennen koneeseen tehtäviä toimenpiteitä.



Lue käyttöohjeet huolellisesti, ennen koneen käynnistämistä.



Sähkölaitteita, paristoja/akkuja ei saa hävittää yhdessä kotitalousjätteiden kanssa. Sähkölaitteet ja akut tulee kerätä erikseen ja toimittaa kierrätysliikkeeseen ympäristöystävällistä hävittämistä varten.

Pyydä paikallisilta viranomaisilta tai alan kauppiailtasi tarkemmat tiedot kierrätyspisteistä ja keräyspaikoista.



CE-merkki



Kansallinen standardinmukaisuusmerkki Ukraina



EurAsian-vaatimustenmukaisuusmerkki.

ΤΕΧΝΙΚΑ ΣΤΟΙΧΕΙΑ	ΚΡΟΥΣΤΙΚΟ ΔΡΑΠΑΝΟΚΑΤΣΑΒΙΔΟ ΜΠΑΤΑΡΙΑΣ	M18 FDD	M18 FPD
Αριθμός παραγωγής.....		4524 89 03.....	4524 79 03.....
Ø τρύπας σε χάλυβα000001-999999	...000001-999999
Ø τρύπας σε ξύλο13 mm13 mm
Ø τρύπας σε τούβλο και ασβεστόλιθο45 mm45 mm
Ευλόβιδες (χωρίς προδιάρτηση).....	10 mm10 mm
Αριθμός στροφών χωρίς φορτίο στην 1η ταχύτητα.....		0-550 min ⁻¹	0-550 min ⁻¹
Αριθμός στροφών χωρίς φορτίο στη 2η ταχύτητα.....		0-2000 min ⁻¹	0-2000 min ⁻¹
Μέγιστος αριθμός κρούσεων 1η ταχύτητα		0-8800 min ⁻¹	0-8800 min ⁻¹
Μέγιστος αριθμός κρούσεων 2η ταχύτητα		0-32000 min ⁻¹	0-32000 min ⁻¹
Ροπή στρέψης *1 (5,0 Ah)		135 Nm	135 Nm
Τάση ανταλλακτικής μπαταρίας		18 V	18 V
Περιοχή σύσφιξης του τσοκ		1,5-13 mm	1,5-13 mm
Βάρος σύμφωνα με τη διαδικασία ΕΡΤΑ 01/2003 (2,0 Ah)		2,3 kg	2,3 kg
Βάρος σύμφωνα με τη διαδικασία ΕΡΤΑ 01/2003 (5,0 Ah)		2,5 kg	2,5 kg

Πληροφορίες Θορύβου/δονήσεων

Τιμές μέτρησης εξακριβωμένες κατά EN 60 745.

Τυπική Α αξιολογημένη στάθμη θορύβου:

Στάθμη ηχητικής πίεσης (Ανασφάλεια K=3dB(A))..... 74,5 dB (A)..... 99,9 dB (A)

Στάθμη ηχητικής ισχύος (Ανασφάλεια K=3dB(A))..... 85,5 dB (A)..... 110,9 dB (A)

Φοράτε προστασία ακοής (ωτασπίδες)!

Υλικές τιμές κραδασμών (άθροισμα διανυσμάτων τριών διευθύνσεων)

εξακριβώθηκαν σύμφωνα με τα πρότυπα EN 60745.

Τιμή εκπομπής δονήσεων a_w

Κρουστικό τρυπάνι σε μπετόν..... 13,2 m/s²

Ανασφάλεια K=..... 1,5 m/s²

Τρύπες σε μέταλλο..... 1,29 m/s²..... 1,29 m/s²

Ανασφάλεια K=..... 1,5 m/s²..... 1,5 m/s²

Βίδωμα..... 1,33 m/s²..... 1,33 m/s²

Ανασφάλεια K=..... 1,5 m/s²..... 1,5 m/s²

*1 Μετρημένη σύμφωνα με το πρότυπο της Milwaukee N 877318

ΠΡΟΕΙΔΟΠΟΙΗΣΗ

Το αναφερόμενο σ' αυτές τις οδηγίες επίπεδο δονήσεων έχει μετρηθεί με μια τυποποιημένη σύμφωνα με το EN 60745 μέθοδο μέτρησης και μπορεί να χρησιμοποιηθεί για τη σύγκριση των ηλεκτρικών εργαλείων μεταξύ τους. Αυτό είναι επίσης κατάλληλο για μια προσωρινή εκτίμηση της επιβάρυνση των δονήσεων.

Το αναφερόμενο επίπεδο δονήσεων αντιπροσωπεύει τις κύριες χρήσεις του ηλεκτρικού εργαλείου. Εάν όμως το ηλεκτρικό χρησιμοποιείται σε άλλες χρήσεις, με διαφορετικά εργαλεία εφαρμογής ή ανεπαρκή συντήρηση, μπορεί να υπάρξει απόκλιση του επιπέδου δονήσεων. Αυτό μπορεί να αυξήσει σημαντικά την επιβάρυνση των δονήσεων για τη συνολική διάρκεια της εργασίας.

Για μια ακριβή εκτίμηση της επιβάρυνσης των δονήσεων οφείλουν επίσης να λαμβάνονται υπόψη οι χρόνοι, στους οποίους η συσκευή είναι απενεργοποιημένη ή είναι μεν ενεργοποιημένη αλλά δεν χρησιμοποιείται πραγματικά. Αυτό μπορεί να μειώσει σημαντικά την επιβάρυνση των δονήσεων για τη συνολική διάρκεια της εργασίας.

Καθορίστε πρόθετα μέτρα ασφαλείας για την προστασία του χειριστή από την επιβάρυνση των δονήσεων όπως για παράδειγμα: Συντήρηση του ηλεκτρικού εργαλείου και των εργαλείων εφαρμογής, διατηρείτε ζεστά τα χέρια, οργάνωση των διαδικασιών εργασίας.

⚠️ ΠΡΟΣΟΧΗ! Διαβάστε όλες τις οδηγίες ασφαλείας και τις οδηγίες χρήσης.

Αμέλειες κατά την τήρηση των προειδοποιητικών υποδείξεων μπορεί να προκαλέσουν ηλεκτροπληξία, κίνδυνο πυρκαγιάς ή/και σοβαρούς τραυματισμούς.

Φυλάξτε όλες τις προειδοποιητικές υποδείξεις και οδηγίες για κάθε μελλοντική χρήση.

⚠️ ΥΠΟΛΕΙΞΕΙΣ ΑΣΦΑΛΕΙΑΣ ΓΙΑ ΔΡΑΠΑΝΑ

Φοράτε ωτοσπίδες. Η επίδραση θορύβου μπορεί να προκαλέσει απώλεια ακοής.

Χρησιμοποιείτε με τη συσκευή τις προμηθευόμενες πρόσθετες χειρολαβές. Η απώλεια ελέγχου μπορεί να οδηγήσει σε τραυματισμό.

Να πιάνετε τη συσκευή στις μονωμένες χειρολαβές όταν εκτελείτε εργασίες κατά τις οποίες τα κοπτικά εργαλεία θα μπορούσαν να πέσουν επάνω σε κρυμμένα καλώδια ρεύματος. Η επαφή του πριονοδίσκου με μια υπό τάση ευρισκόμενη ηλεκτρική γραμμή θέτει επίσης και τα μεταλλικά τμήματα του μηχανήματος υπό τάση κι έτσι μπορεί να οδηγήσει σε ηλεκτροπληξία.

⚠️ ΥΠΟΛΕΙΞΕΙΣ ΑΣΦΑΛΕΙΑΣ ΓΙΑ ΚΑΤΣΑΒΙΔΙΑ

Κρατάτε τη συσκευή από τις μονωμένες επιφάνειες συγκράτησης, όταν εκτελείτε εργασίες, στις οποίες η βίδα θα μπορούσαν να έρθει σε επαφή με κρυστούς αγωγούς ρεύματος. Η επαφή της βίδας μ' ένα ηλεκτροφόρο καλώδιο μπορεί να προκαλέσει τη μεταφορά ρεύματος στα μεταλλικά εξαρτήματα της συσκευής και να οδηγήσει σε ηλεκτροπληξία.

ΠΕΡΑΙΤΕΡΟ ΟΔΗΓΙΕΣ ΑΣΦΑΛΕΙΑΣ ΚΑΙ ΧΡΗΣΙΩΣ

Χρησιμοποιείτε προστατευτικό εξοπλισμό. Κατά την εργασία με τη μηχανή φοράτε πάντα προστατευτικά γυαλιά. Συνιστούμε επίσης προστατευτική ενδυμασία όπως επίσης μάσκα προστασίας αναπνοής, προστατευτικά γάντια, σταθερά και ασφαλή στην ολίσθηση υποδήματα, κράνος και ωτοσπίδες.

Η σκόνη που δημιουργείται κατά την εργασία είναι συχνά επιβλαβής για την υγεία και δεν επιτρέπεται να έλθει στο σώμα. Να φοράτε κατάλληλη μάσκα προστασίας από σκόνη.

Μην επεξεργάζεστε επικίνδυνα για την υγεία υλικά (π. χ. αμιάντος).

Σε περίπτωση μπλοκαρίσματος της αριδας απενεργοποιείστε αμέσως τη συσκευή! Μην ενεργοποιείτε εκ νέου τη συσκευή όσο η αριδα είναι μπλοκαρισμένη. Σ' αυτή τη περίπτωση θα μπορούσε να προκύψει υψηλή ροπή αντίδρασης. Βρείτε την αιτία του μπλοκαρίσματος της αριδας και ξεμπλοκάρετέ την λαμβάνοντας υπόψη τις οδηγίες ασφαλείας.

Πιθανές αιτίες:

- Η αριδα μάλκωσε με το προς κατεργασία κομμάτι.

- Σπάσιμο του προς κατεργασία υλικού.

- Υπερφόρτωση του ηλεκτρικού εργαλείου.

Μην απλώνετε τα χέρια σας στην επικίνδυνη περιοχή της μηχανής όταν είναι σε λειτουργία. Η θερμοκρασία της αριδας μπορεί να φτάσει σε υψηλά επίπεδα κατά τη λειτουργία.

ΠΡΟΕΙΔΟΠΟΙΗΣΗ! Κίνδυνος εγκαυμάτων

- κατά την αλλαγή εργαλείου (αριδας)

- κατά την απόθεση της συσκευής

Τα νρεζιά ή οι σκληθρες δεν επιτρέπεται να απομακρύνονται όσο η μηχανή βρίσκεται σε λειτουργία.

Κατά τις εργασίες σε τοίχο, οροφή ή δάπεδο προσέχετε για τυχόν ηλεκτρικά καλώδια και για σωλήνες αερίου και νερού.

Ασφαλίστε το προς κατεργασία κομμάτι στη μέγγενη ή με μια άλλη διάταξη στερέωσης. Μη ασφαλισμένα προς κατεργασία κομμάτια μπορεί να προκαλέσουν σοβαρούς τραυματισμούς και ζημιές.

Πριν από κάθε εργασία στη μηχανή αφαιρείτε την ανταλλακτική μπαταρία.

Μην πετάτε τις μεταχειρισμένες ανταλλακτικές μπαταρίες στη φωτιά ή στα οικιακά απορρίμματα. Η Milwaukee προσφέρει μια απόσυρση των παλιών ανταλλακτικών

μπαταριών σύμφωνα με τους κανόνες προστασίας του περιβάλλοντος, ρωτήστε παρακάτω σχετικά στο ειδικό κατάστημα πώλησης.

Μην αποθηκεύετε τις ανταλλακτικές μπαταρίες μαζί με μεταλλικά αντικείμενα (κίνδυνος βραχυκυκλώματος).

Φορτίστε τις ανταλλακτικές μπαταρίες του συστήματος M18 μόνο με φορτιστές του συστήματος M18. Μη φορτίστε μπαταρίες από άλλα συστήματα.

Μην ανοίγετε τις ανταλλακτικές μπαταρίες και τους φορτιστές και χρησιμοποιείτε για αποθήκευση μόνο στεγνούς χώρους. Προστατεύετε τις ανταλλακτικές μπαταρίες και τους φορτιστές από την υγρασία.

Όταν υπάρχει υπερβολική καταπόνηση ή υψηλή θερμοκρασία μπορεί να τρέξει υγρό μπαταρίας από τις γλασμένες επαναφορτιζόμενες μπαταρίες. Αν έρθει σε επαφή με υγρό μπαταρίας να πλυθεί αμέσως με νερό και σαπούνι. Σε περίπτωση επαφής με τα μάτια να πλυθεί σχολαστικά για τουλάχιστον 10 λεπτά και να αναζητήσετε αμέσως ένα γιατρό.

Προειδοποίηση! Για να αποτρέψετε τον κίνδυνο πυρκαγιάς λόγω βραχυκυκλώματος, τραυματισμούς ή ζημιές του προϊόντος, να μη βυθίζετε το εργαλείο, τον ανταλλακτικό συσσωρευτή ή τη συσκευή φόρτισης σε υγρά και να φροντίζετε, ώστε να μη διεισδύουν υγρά στις συσκευές και τους συσσωρευτές. Διαβρωτικές ή αγώγιμες υγρές ουσίες, όπως αλάτινερο, ορισμένες χημικές ουσίες και λευκαντικά ή προϊόντα που περιέχουν λευκαντικά, μπορεί να προκαλέσουν βραχυκύκλωμα.

ΧΡΗΣΗ ΣΥΜΦΩΝΑ ΜΕ ΤΟ ΣΚΟΠΟ ΠΡΟΟΡΙΣΜΟΥ

M18 FDD: Το δραπανοκατσίβιδο μπαταρίας μπορεί να χρησιμοποιηθεί γενικά για τρύπημα και βίδωμα ανεξάρτητα από το αν υπάρχει παροχή ρεύματος.

M18 FPD: Το ηλεκτρονικό κρουστικό δραπανοκατσίβιδο μπαταρίας μπορεί να χρησιμοποιηθεί γενικά για τρύπημα, τρύπημα με κρούση και βίδωμα ανεξάρτητα από μια σύνδεση στο ηλεκτρικό δίκτυο.

Αυτή η συσκευή επιτρέπεται να χρησιμοποιηθεί μόνο σύμφωνα με τον αναφερόμενο σκοπό προορισμού.

ΔΗΛΩΣΗ ΠΙΣΤΟΤΗΤΑΣ ΕΚ

Δηλώνουμε υπεύθυνα ότι το προϊόν που περιγράφεται στο κεφάλαιο «Τεχνικά χαρακτηριστικά» είναι συμβατό με τις διατάξεις της Κοινοτικής Οδηγίας 2011/65/EU (RoHS), 2014/30/EU, 2006/42/EK και με τα ακόλουθα εναρμονισμένα κανονιστικά έγγραφα:

EN 60745-1:2009 + A11:2010

EN 60745-2-1:2010

EN 60745-2-2:2010

EN 55014-1:2006 + A1:2009 + A2:2011

EN 55014-2:2015

EN 50581:2012

Winnenden, 2017-11-30

Alexander Krug

Managing Director

Εξουσιοδοτημένος να συντάξει τον τεχνικό φάκελο.

Techtronic Industries GmbH

Max-Eyth-Strasse 10

71364 Winnenden

Germany

ΜΠΑΤΑΡΣΣΕ

Επαναφορτίστε τις ανταλλακτικές μπαταρίες που δεν έχουν χρησιμοποιηθεί για μεγαλύτερο χρονικό διάστημα πριν τη χρήση.

Μια θερμοκρασία πάνω από 50°C μειώνει την ισχύ της ανταλλακτικής μπαταρίας.

Αποφύγετε τη θέρμανση για μεγαλύτερο χρονικό διάστημα από τον ήλιο ή τις συσκευές θέρμανσης.

Διατηρείτε τις επαφές σύνδεσης στο φορτιστή και στην ανταλλακτική μπαταρία καθαρές.

Για μια άριστη διάρκεια ζωής πρέπει μετά τη χρήση οι μπαταρίες να φορτιστούν πλήρως.

Για μια κατά το δυνατόν μεγάλη διάρκεια ζωής οι μπαταρίες μετά τη φόρση οφείλουν να αφαιρεθούν από το φορτιστή.

Για την αποθήκευση της μπαταρίας για διάστημα μεγαλύτερο των 30 ημερών: Αποθηκεύετε τη μπαταρία περ. στους 27°C σε στεγνό χώρο.

Αποθηκεύετε τη μπαταρία περ. στο 30%-50% της καπάστασης φόρτισης.

Κάθε 6 μήνες φορτίζετε εκ νέου τη μπαταρία.

ΠΡΟΣΤΑΣΙΑ ΥΠΕΡΦΟΡΤΩΣΗΣ ΤΗΣ ΜΠΑΤΑΡΙΑΣ

Σε υπερφόρτωση της μπαταρίας από πολύ υψηλή κατανάλωση ρεύματος, π. χ. από ακραίες υψηλές ροτές περιστροφής, μπλοκαρίσμα του τρυπανιού, ξαφνικό stop ή βραχυκύκλωμα, δονείται το ηλεκτρικό εργαλείο για 5 δευτερόλεπτα, αναβοσβήνει η ένδειξη φόρτισης και το

ηλεκτρικό εργαλείο απενεργοποιείται αυτόματα.

Για μια νέα ενεργοποίηση, αφήνετε ελεύθερο το διακόπτη και στη συνέχεια ενεργοποιείτε εκ νέου.

Κάτω από ακραίες καταπονήσεις θερμαίνεται πάρα πολύ η μπαταρία. Στην περίπτωση αυτή αναβοσβήνουν όλες οι λάμπες της ένδειξης φόρτισης μέχρι να έχει κρυώσει η μπαταρία. Μετά το σβήσιμο της ένδειξης φόρτισης μπορεί να συνεχιστεί η συνεργασία.

ΜΕΤΑΦΟΡΑ ΤΩΝ ΜΠΑΤΑΡΙΑΩΝ ΙΩΝΤΩΝ ΛΙΘΙΟΥ

Οι μπαταρίες ιόντων λιθίου υπόκεινται στις απαιτήσεις των νομικών διατάξεων για την μεταφορά επικινδύνων εμπορευμάτων.

Η μεταφορά τέτοιων μπαταριών πρέπει να πραγματοποιείται τηρώντας τους τοπικούς, εθνικούς και διεθνείς κανονισμούς και τις αντίστοιχες διατάξεις.

- Επιτρέπεται η μεταφορά τέτοιων μπαταριών στο δρόμο χωρίς περαιτέρω απαιτήσεις.
- Η εμπορική μεταφορά μπαταριών ιόντων λιθίου από εταιρείες μεταφορών υπόκειται στις απαιτήσεις των νομικών διατάξεων για την μεταφορά επικινδύνων εμπορευμάτων. Οι προετοιμασίες αποστολής και η μεταφορά πραγματοποιούνται αποκλειστικά από ειδικά εκπαιδευμένα πρόσωπα. Η συνολική διαδικασία συνοδεύεται από εξειδικευμένο προσωπικό.

Κατά τη μεταφορά μπαταριών ιόντων λιθίου πρέπει να προσέχετε τα εξής:

- Φροντίστε τα σημεία επαφών να είναι προστατευμένα και μονωμένα ώστε να αποφευχθούν βραχυκυκλώματα.
- Προσέξτε το πακέτο μπαταριών να είναι σταθερό μέσα στη συσκευασία και να μη γλιστρά.
- Η μεταφορά μπαταριών που παρουσιάζουν φθορές ή διαρροές δεν επιτρέπεται.

Για περισσότερες πληροφορίες απευθυνθείτε στην εταιρεία μεταφορών.

ΣΥΝΤΗΡΗΣΗ

Χρησιμοποιείτε μόνο πρόσθ. εξαρτήματα Milwaukee και ανταλλακτικά Milwaukee. Κατασκ. τμήματα, που η αλλαγή τους δεν περιγράφεται, αντικαθίστανται σε μια τεχνική υποστήριξη της Milwaukee (βλέπε φυλλάδιο εγγύηση/ διευθύνσεις τεχνικής υποστήριξης).

Σε περίπτωση που το χρειαστείτε μπορείτε να παραγγείλετε λεπτομερές σχέδιο της συσκευής αναφέροντας τον τύπο και τον εξαψήφιο αριθμό που βρίσκεται στην πινακίδα τεχνικών χαρακτηριστικών από την εξυπηρέτηση πελατών ή απευθείας από την Techtronic Industries GmbH, διεύθυνση Max-Eyth-Straße 10, 71364 Winnenden, Germany.

ΣΥΜΒΟΛΑ



ΠΡΟΣΟΧΗ! ΠΡΟΕΙΔΟΠΟΙΗΣΗ! ΚΙΝΔΥΝΟΣ!



Πριν από κάθε εργασία στη μηχανή τραβάτε το φιλ από την τριζία.



Παρακαλώ διαβάστε σχολαστικά τις οδηγίες χρήσης πριν από την έναρξη λειτουργίας.



Ηλεκτρικά μηχανήματα, μπαταρίες/συσσωρευτές δεν επιτρέπεται να απορρίπτονται μαζί με τα οικιακά απορρίμματα. Ηλεκτρικά μηχανήματα και συσσωρευτές συλλέγονται ξεχωριστά και παραδίδονται προς ανακύκλωση με τρόπο φιλικό προς το περιβάλλον σε επιχείρηση επεξεργασίας απορριμμάτων. Ενθαρρυνθείτε από τις τοπικές υπηρεσίες ή από ειδικευμένους εμπόρους σχετικά με κέντρα ανακύκλωσης και συλλογής απορριμμάτων.



Σήμα συμμόρφωσης CE



Εθνικό σήμα πιστότητας Ουκρανία

TR 066



EurAsian σήμα πιστότητας.

TEKNİK VERİLER	VURMALI AKÜ MATKAP VIDASI	M18 FDD	M18 FPD
Üretim numarası.....	4524 89 03.....	4524 79 03.....	4524 79 03.....
	...000001-999999	...000001-999999	...000001-999999
Delme çapı çelikte.....	13 mm.....	13 mm.....	13 mm.....
Delme çapı tahta.....	45 mm.....	45 mm.....	45 mm.....
Delme çapı tuğla ve kireçli kum taşı.....	13 mm.....	13 mm.....	13 mm.....
Ağaç vidaları (kılavuz deliksiz).....	10 mm.....	10 mm.....	10 mm.....
Boştaki devir sayısı 1. viteste.....	0-550 min ⁻¹	0-550 min ⁻¹	0-550 min ⁻¹
Boştaki devir sayısı 2. viteste.....	0-2000 min ⁻¹	0-2000 min ⁻¹	0-2000 min ⁻¹
Maksimum darbe sayısı 1. viteste.....	0-8800 min ⁻¹	0-8800 min ⁻¹	0-8800 min ⁻¹
Maksimum darbe sayısı 2. viteste.....	0-32000 min ⁻¹	0-32000 min ⁻¹	0-32000 min ⁻¹
Tork *1 (5,0 Ah).....	135 Nm.....	135 Nm.....	135 Nm.....
Kartuş akü gerilimi.....	18 V.....	18 V.....	18 V.....
Mandren kapasitesi.....	1,5-13 mm.....	1,5-13 mm.....	1,5-13 mm.....
Ağırlığı ise EPTA-üretici 01/2003'e göre (2,0 Ah).....	2,3 kg.....	2,3 kg.....	2,3 kg.....
Ağırlığı ise EPTA-üretici 01/2003'e göre (5,0 Ah).....	2,5 kg.....	2,5 kg.....	2,5 kg.....

Gürültü/Vibrasyon bilgileri

Ölçüm değerleri EN 60745 e göre belirlenmektedir.

Aletin A değerlendirmeli gürültü seviyesi tipik olarak şu değerdedir:

Ses basıncı seviyesi (Tolerans K=3dB(A)).....	74,5 dB (A).....	99,9 dB (A).....
Akustik kapasite seviyesi (Tolerans K=3dB(A)).....	85,5 dB (A).....	110,9 dB (A).....

Koruyucu kulaklık kullanın!

Toplam titreşim değeri (üç yönün vektör toplamı) EN 60745'e göre belirlenmektedir:

titreşim emisyon değeri a _h		
Darbeli beton delme.....	-	13,2 m/s ²
Tolerans K=.....	-	1,5 m/s ²
Metal delme.....	1,29 m/s ²	1,29 m/s ²
Tolerans K=.....	1,5 m/s ²	1,5 m/s ²
Vida ile tutturma.....	1,33 m/s ²	1,33 m/s ²
Tolerans K=.....	1,5 m/s ²	1,5 m/s ²

*1 Milwaukee Standard N 877318'e göre ölçülmüştür.

UYARI

Bu talimatlarda belirtilen titreşim seviyesi, EN 60745 standardına uygun bir ölçme metodu ile ölçülmüştür ve elektrikli el aletleri birbiriyle karşılaştırmak için kullanılabilir. Ölçüm sonuçları ayrıca titreşim yükünün geçici değerlendirmesi için de uygundur.

Belirtilen titreşim seviyesi, elektrikli el aletinin genel uygulamaları için geçerlidir. Ancak elektrikli el aleti başka uygulamalar için, farklı eklenti parçalarıyla ya da yetersiz bakım koşullarında kullanılırsa, titreşim seviyesi farklılık gösterebilir. Bu durumda, titreşim yükü toplam çalışma zaman aralığı içerisinde belirgin ölçüde yükselebilir.

Titreşim yükünün tam bir değerlendirmesi için ayrıca cihazın kapalı olduğu süreler ve cihazın çalışır durumda olduğu, ancak gerçek kullanımda bulunmadığı süreler de dikkate alınmalıdır. Böylelikle, toplam çalışma zamanı aralığı boyunca meydana gelen titreşim yükü belirgin ölçüde azaltılabilir.

Kullanıcıyı titreşimlerin etkisinden korumak üzere, örneğin elektrikli el aletlerinin ve eklenti parçalarının bakımı, ellerin sıcak tutulması ve iş aklarının organizasyonu gibi ek güvenlik tedbirleri belirleyiniz.

⚠ UYARI! Bütün güvenlik notlarını ve talimatları okuyunuz. Açıklanan uyarılara ve talimat hükümlerine uyulmadığı takdirde elektrik çarpmalarına, yangınlara ve/veya ağır yaralanmalara neden olunabilir. **Bütün uyarıları ve talimat hükümlerini ilerde kullanmak üzere saklayın.**

⚠ MATKAP MAKİNELERİ İÇİN GÜVENLİK AÇIKLAMALARI

Koruyucu kulaklık kullanın. Çalışırken çıkan gürültü işitme kayıplarına neden olabilir.

Aletle birlikte teslim edilen ek tutamakları kullanın. Aletin kontrolden çıkması kazalara neden olabilir.

Kesme aletinin eğrilmiş elektrik kabloları isabet eden çalışmalar yapılırken cihazı izole edilmiş kollarından tutun. Elektrik akımı ileten kablolarla temas edilecek olursa metal alet elemanlarına da gerilim geçer ve bu da elektrik çarpmalarına neden olabilir.

⚠ TORNAVIDALAR İÇİN GÜVENLİK AÇIKLAMASI

Vidayı büken ve elektrik hattına maruz kalabilen çalışmalar yaparken cihazın izole edilmiş bulunan tutacak kollarından tutun. Voltaj altında kalan vida ile temas edilmesi, metal cihaz parçalarına elektrik akımı verebilir ve bu da elektrik çarpmasına neden ol.

EK GÜVENLİK VE ÇALIŞMA TALİMATLARI

Koruma teçhizatı kullanın.Makinada çalışırken devamlı surette koruyucu gözlük takın. Koruyucu elbise ve tozlardan korunma maskesi, emniyet eldivenleri ve sağlam ve kaymaya mukavim ayakkabı giyin. Başlık ve kulaklık tavsiye edilir.

Çalışma sırasında ortaya çıkan toz genellikle sağlığa zararlıdır ve bedeninize temas etmemelidir. Uygun bir koruyucu toz maskesi kullanın Sağlık tehlikelerine neden olan malzemelerin işlenmesi yasaktır (örn. asbest).

Uca yerleştirilen takımın bloke olması halinde lütfen cihazı hemen kapatın! Uca yerleştirilen takım bloke olduğu sürece cihazı tekrar çalıştırmayın; bu sırada yüksek reaksiyon momentine sahip bir geri tepme meydana gelebilir. Uca yerleştirilen takımın neden bloke olduğuna bakın ve bu durumu güvenlik uyarılarına dikkat ederek gidirin.

Olası nedenler şunlar olabilir:

- İşlenen parça içinde takılma
- İşlenen malzemenin delinmesi
- Elektrikli alete aşırı yük binmesi

Ellerinizi çalışmakta olan makinenin içine uzatmayın.

Uca yerleştirilen takım kullanım sırasında ısınabilir.

UYARI! Yanma tehlikesi

- takım değiştirme sırasında
- aletin yere bırakılması sırasında

Alet çalışır durumda iken talaş ve kırpıntıları temizlemeye çalışmayın.

Duvar, tavan ve zeminde delik açarken elektrik kablolarına, gaz ve su borularına dikkat edin.

İşlenen parçayı bir germe tertibatıyla emniyete alın. Emniyete alınmayan iş parçaları ağır yaralanmalar ve hasarlara neden olabilir.

Aletin kendinde bir çalışma yapmadan önce kartuş aküyü çıkarın.

Kullanılmış kartuş aküleri ateşe veya ev çöplerine atmayın. Milwaukee, kartuş akülerin çevreye zarar vermeyecek biçimde tasfiye edilmesine olanak sağlayan hizmet sunar; lütfen bu konuda yetkili satıcınızdan bilgi alın.

Kartuş aküleri metal parça veya eşyalarla birlikte saklamayın (kısa devre tehlikesi).

M18 sistemli kartuş aküleri sadece M18 sistemli şarj cihazları ile şarj edin. Başka sistemli aküleri şarj etmeyin.

Kartuş aküleri ve şarj cihazını açmayın ve sadece kuru yerlerde saklayın. Neme ve ıslanmaya karşı koruyun.

Aşırı zorlanma veya aşırı ısınma sonucu hasar gören kartuş akülerden batarya sıvısı dışarı akabilir. Batarya sıvısı ile temasa gelen yeri hemen bol su ve sabunla yıkayın. Batarya sıvısı gözünüze kaçacak olursa en azından 10 dakika yıkayın ve zaman geçirmeden bir hekime başvurun.

Uyarı! Bir kısa devreden kaynaklanan yangın, yaralanma veya ürün hasarları tehlikesini önlemek için aleti, güç paketini veya şarj cihazını asla sıvıların içine daldırmayınız ve cihazların ve pillerin içine sıvı girmesini önleyiniz. Tuzlu su, belirli kimyasallar, ağartıcı madde veya ağartıcı madde içeren ürünler gibi korozif veya iletken sıvılar kısa devreye neden olabilir.

KULLANIM

M18 FDD: Bu akülü delme/vidalama makinesi, şebeke akımına bağlı kalınmadan delme ve vidalama işlerinde çok yönlü olarak kullanılabilir.

M18 FPD: Bu akülü elektronik darbeli matkap şebeke akımından bağımsız olarak delme, darbeli delme ve vidalama işlerinde çok yönlü olarak kullanılabilir.

Bu alet sadece belirttiği gibi ve usulüne uygun olarak kullanılabilir.

CE UYGUNLUK BEYANI

Tek sorumlu olarak "Teknik Veriler" bölümünde tarif edilen ürünün 2011/65/EU (RoHS), 2014/30/EU, 2006/42/EC sayılı direktifin ve aşağıdaki harmonize temel belgelerin bütün önemli hükümlerine uygun olduğunu beyan etmekteyiz:

EN 60745-1:2009 + A1:2010

EN 60745-2-1:2010

EN 60745-2-2:2010

EN 55014-1:2006 + A1:2009 + A2:2011

EN 55014-2:2015

EN 50581:2012

Winnenden, 2017-11-30



Alexander Krug
Managing Director



Teknik evrakları hazırlamakla görevlendirilmiştir.

Technronic Industries GmbH

Max-Eyth-Straße 10

71364 Winnenden

Germany

AKÜ

Uzun süre kullanılmı dışı kalmış kartuş aküleri kullanmadan önce şarj edin. 50°C üzerindeki sıcaklıklar kartuş akünün performansını düşürür. Akünün güneş ışığı veya mekân sıcaklığı altında uzun süre ısınmamasına dikkat edin.

Şarj cihazı ve kartuş aküdeki bağlantı noktalarını temiz tutun.

Akünün ömrünün mükemmel bir şekilde uzun olması için kullandıktan sonra tamamen doldurulması gerekir.

Ömrünün mümkün olduğu kadar uzun olması için akülerin yüklemeye yapıldıktan sonra doldurma cihazından uzaklaştırılması gerekir.

Akünün 30 günden daha fazla depolanması halinde:

Aküyü takriben 27°C'de kuru olarak depolayın.

Aküyü yüklemeye durumunun takriben % 30 - %50 olarak depolayın.

Aküyü her 6 ay yeniden doldurun.

AKÜNÜN AŞIRI YÜKLENMEYE KARŞI KORUNMASI

Pek fazla elektrik tüketimi yapılmak suretiyle aküye fazla yüklenildiğinde, örneğin aşırı devir momentleri, matkap sıkıştırması, aniden durma veya kısa devre, elektrikli alet 2 saniye garip sesler çıkarır ve kendiliğinden durur.

Aleti yeniden çalıştırmak için şalter baskı kolunu serbest bırakın ve bundan sonra tekrar çalıştırın. Aşırı yüklenme durumunda ise akü pek fazla ısınır. Bu durumda akü kendiliğinden durur.

Aküyü tekrar doldurmak ve aktif hale getirmek amacı ile şarja bağlayın.

LİTYUM İYON PİLLERİN TAŞINMASI

Lityum iyon piller tehlikeli madde taşımacılığı hakkındaki yasal hükümler tabidir.

Bu piller, bölgesel, ulusal ve uluslararası yönetmeliklere ve hükümlere uyularak taşınmak zorundadır.

- Tüketiciler bu pilleri herhangi bir özel şart aranmaksızın karayoluyla taşıyabilirler.
- Lityum iyon pillerin nakliye şirketleri tarafından ticari taşımacılığı için tehlikeli madde taşımacılığının hükümleri geçerlidir. Sevk hazırlığı ve taşıma sadece ilgili eğitimi görmüş personel tarafından gerçekleştirilir. Bütün süreç uzmanca bir refakatçilik altında gerçekleştirilmek zorundadır.

Pillerin taşınması sırasında aşağıdaki hususlara dikkat edilmesi gerekmektedir:

- Kısa devre oluşmasını önlemek için kontakların korunmuş ve izole edilmiş olması sağlanmalıdır.
- Pil paketinin ambalajı içinde kaymamasına dikkat ediniz.
- Hasarlı veya akmış pillerin taşınması yasaktır.

Ayrıca bilgiler için nakliye şirketinize başvurunuz.

BAKIM

Sadece Milwaukee aksesuarı ve yedek parçası kullanın. Nasıl değiştirileceği açıklanmamış olan yapı parçalarını bir Milwaukee müşteri servisinde değiştirin (Garanti ve servis adresi broşürüne dikkat edin).

Gerektiğinde cihazın ayrıntılı çizimini, güç levhası üzerindeki makine modelini ve altı haneli rakamı belirterek müşteri servisinizden veya doğrudan Technronic Industries GmbH, Max-Eyth-Straße 10, 71364 Winnenden, Germany adresinden isteyebilirsiniz.

SEMBOLLER



DİKKAT! UYARI! TEHLİKE!



Aletin kendinde bir çalışma yapmadan önce fişi prizden çekin.



Lütfen aleti çalıştırmadan önce kullanma kılavuzunu dikkatli biçimde okuyun.



Elektrikli cihazların, pillerin/akülerin evsel atıklarla birlikte bertaraf edilmesi yasaktır. Elektrikli cihazlar ve aküler ayrılarak biriktirilmeli ve çevreye zarar vermeden bertaraf edilmeleri için bir atık değerlendirme tesisine götürülmelidir. Yerel makamlara veya satıcınıza geri dönüşüm tesisleri ve atık toplama merkezlerinin yerlerini danışınız.



CE işareti



Ulusal uygunluk işareti Ukrayna



EurAsian Uyumluluk işareti

TECHNICKÁ DATA	AKU PŘÍKLEPOVÉ VRTAČKY/ŠROUBOVÁKY	M18 FDD	M18 FPD
Výrobní číslo	4524 89 03.....	4524 79 03.....
		...000001-999999	...000001-999999
Vrtací ø v oceli	13 mm	13 mm
Vrtací ø v dřevě	45 mm	45 mm
Vrtání ø v cihle a vápenopískové cihle	13 mm	13 mm
Vruty do dřeva (bez předvrtání)	10 mm	10 mm
Počet otáček při běhu naprázdno na 1.st.rychlosti	0-550 min ⁻¹	0-550 min ⁻¹
Počet otáček při běhu naprázdno na 2.st.rychlosti	0-2000 min ⁻¹	0-2000 min ⁻¹
Počet úderů při zatížení na 1.st.rychlosti	0-8800 min ⁻¹	0-8800 min ⁻¹
Počet úderů při zatížení na 2.st.rychlosti	0-32000 min ⁻¹	0-32000 min ⁻¹
Kroučící moment *1 (5,0 Ah)	135 Nm	135 Nm
Napětí výměnného akumulátoru	18 V	18 V
Rozsah upnutí sklíčidla	1,5-13 mm	1,5-13 mm
Hmotnost podle prováděcího předpisu EPTA 01/2003 (2,0 Ah)	2,3 kg	2,3 kg
Hmotnost podle prováděcího předpisu EPTA 01/2003 (5,0 Ah)	2,5 kg	2,5 kg

Informace o hluku / vibracích

Naměřené hodnoty odpovídají EN 60 745.

Typická vážená

Hladina akustického tlaku (Kolisavost K=3dB(A))..... 74,5 dB (A) 99,9 dB (A)

Hladina akustického výkonu (Kolisavost K=3dB(A))..... 85,5 dB (A) 110,9 dB (A)

Používejte chrániče sluchu !

Celkové hodnoty vibrací (vektorový součet tří směrů) zjištěné ve smyslu EN 60745.

Hodnota vibračních emisí a_w

Vrtání betonu s příklepem..... 13,2 m/s²

Kolisavost K=..... 1,5 m/s²

Vrtání kovů..... 1,29 m/s²..... 1,29 m/s²

Kolisavost K=..... 1,5 m/s²..... 1,5 m/s²

Šroubování..... 1,33 m/s²..... 1,33 m/s²

Kolisavost K=..... 1,5 m/s²..... 1,5 m/s²

*1 Změřeno podle normy Milwaukee N 877318

VAROVÁN

Úroveň chvění uvedená v tomto návodu byla naměřena podle metody měření stanovené normou EN 60745 a může být použita pro porovnání elektrického nářadí. Hodí se také pro průběžný odhad zatížení chvěním.

Uvedená úroveň chvění představuje hlavní účely použití elektrického nářadí. Jestliže se ale elektrické nářadí používá pro jiné účely, s odlišnými nástroji nebo s nedostatečnou údržbou, může se úroveň chvění odlišovat. To může značně zvýšit zatížení chvěním během celé pracovní doby.

Pro přesný odhad zatížení chvěním se musí také zohlednit časy, během kterých je přístroj vypnutý nebo kdy je sice v chodu, ale skutečně se s ním nepracuje. To může zatížení chvěním během celé pracovní doby značně snížit.

Stanovte doplňková bezpečnostní opatření pro ochranu obsluhy před účinky chvění jako například: technická údržba elektrického nářadí a nástrojů, udržování teploty rukou, organizace pracovních procesů.

UPOZORNĚNÍ! Přečtěte si všechny bezpečnostní pokyny a návody. Zanedbání při dodržování varovných upozornění a pokynů mohou mít za následek úder elektrickým proudem, požár a/nebo těžká poranění.

Všechna varovná upozornění a pokyny do budoucna uschovte.

BEZPEČNOSTNÍ POKYNY PRO PRÁCI S VRTAČKOU

Používejte chrániče sluchu. Působením hluku může dojít k poškození sluchu.

Používejte doplňková madla dodávaná s přístrojem.

Nedostatečným držením by mohlo dojít ke zranění.

Při provádění prací, při kterých nástroj může narazit na skryta elektrická vedení, držte přístroj za izolované přídržovací plošky.

Kontakt s vedením pod napětím přivádí napětí i na kovové díly stroje a vede k elektrickému úderu.

BEZPEČNOSTNÍ POKYNY PRO PRÁCI SE ŠROUBOVÁKEM

Přístroj držte za izolované plochy, pokud provádíte práce, při kterých může šroub zasáhnout skryta elektrická vedení. Kontakt šroubu s vedením pod napětím může přivést napětí na kovové části přístroje a způsobit elektrický ráz.

DALŠÍ BEZPEČNOSTNÍ A PRACOVNÍ POKYNY

Použijte ochranné vybavení. Při práci s elektrickým nářadím používejte vždy ochranné brýle. Doporučujeme rovněž použití součástí ochranného oděvu a ochranné obuvi, jako protiprašné masky, ochranných rukavic, pevné a neklouzající obuvi, ochranné přílby a ochrany sluchu.

Prach vznikající při práci s tímto nářadím může být zdraví škodlivý. Proto by neměl přijít do styku s tělem. Používejte při práci vhodnou ochranou masku.

Nesmějí se opravovávat materiály, které mohou způsobit ohrožení zdraví (např. azbest)

Při zablokování nasazeného nástroje přístroj okamžitě vypněte! Přístroj nezapínajte, pokud je nasazený nástroj zablokovaný; mohl by při tom vzniknout zpětný náraz s vysokým reakčním momentem. Zjistěte příčinu zablokování nasazeného nástroje a odstraňte ji při dodržení bezpečnostních pokynů.

Možnými příčinami mohou být:

- vzpříčení v opracovávaném obrobku
- přelomení opracovávaného materiálu
- přetížení elektrického přístroje

Nezasahujte do běžícího stroje.

Nasazený nástroj se může během používání rozpálat.

VAROVÁNÍ! Nebezpečí popálení.

- při výměně nástroje
- při odkládání přístroje

Pokud stroj běží, nesmí být odstraňovány třísky nebo odštěpky.

Při vrtání do zdi, stropu nebo podlahy dávat pozor na elektrické kabely, plynová a vodovodní potrubí.

Obrobek zabezpečte upínacím zařízením. Nezabezpečené obrobky mohou způsobit těžká poranění a poškození.

Před zahájením veškerých prací na vrtacím šroubováku vyjmout výměnný akumulátor.

Použité nevyhazujte do domovního odpadu nebo do ohně. Milwaukee nabízí ekologickou likvidaci starých článků, ptejte se u vašeho obchodníka s nářadím.

Náhradní akumulátor neskladujte s kovovými předměty, nebezpečí zkrat.

Akumulátor systému M18 nabíjejte pouze nabíječkou systému M18. Nenabíjejte akumulátory jiných systémů.

Náhradní akumulátory ani nabíječku neotvírejte, skladujte je v suchu, chraňte před vlhkem.

Při extrémní zátěži či vysoké teplotě může z akumulátoru vytekat kapalina. Při zasažení touto kapalinou okamžitě zasažená místa omyjte vodou a mýdlem. Při zasažení očí okamžitě důkladně po dobu alespoň 10min. omývat a neodkladně vyhledat lékaře.

Varování! Abyste zabránili nebezpečí požáru způsobeného zkratem, poraněním nebo poškozením výrobku, neponechte nářadí, výměnnou baterii nebo nabíječku do kapalin a zajistěte, aby do zařízení a akumulátorů nevnikly žádné tekutiny. Korodující nebo vodivé kapaliny, jako je slaná voda, určité chemikálie a bělicí prostředky nebo výrobky, které obsahují bělidlo, mohou způsobit zkrat.

OBLAST VYUŽITÍ

M18 FDD: Akumulátorový vrtací šroubovák je univerzálně použitelný pro vrtání a šroubování nezávisle na elektrické síti.

M18 FPD: Akumulátorový pýlíklový vrtací aroubovák je univerzálně použitelný pro vrtání, pýlíklové vrtání a aroubování nezávisle na elektrické síti.

Toto zařízení lze používat jen pro uvedený účel.

CE-PROHLÁŠENÍ O SHODĚ

Výhradně na vlastní zodpovědnost prohlašujeme, že se výrobek popsaný v "Technických údajích" shoduje se všemi relevantními předpisy směrnice 2011/65/EU (RoHS), 2014/30/ES, 2006/42/ES a s následujícími harmonizovanými normativními dokumenty:

EN 60745-1:2009 + A11:2010

EN 60745-2-1:2010

EN 60745-2-2:2010

EN 55014-1:2006 + A1:2009 + A2:2011

EN 55014-2:2015

EN 50581:2012

Winnenden, 2017-11-30



Alexander Krug
Managing Director



Zplnomocněn k sestavování technických podkladů.

Techtronic Industries GmbH

Max-Eyth-Straße 10

71364 Winnenden

Germany

AKUMULÁTORY

Děle nepoužívané akumulátory je nutné před použitím znovu nabít.

Teplota přes 50°C snižuje výkon akumulátoru. Chraňte před dlouhým přehříváním na slunci či u topení.

Kontakty nabíječky a akumulátoru udržujte v čistotě.

Optimální životnost akumulátorů se zajistí, když se po

použití vždy plně nabijí.

K zabezpečení dlouhé životnosti by se akumulátory měly po nabíti

vyjmout z nabíječky.

Při skladování akumulátoru po dobu delší než 30 dní:

Skladujte akumulátor v suchu při cca 27°C.

Skladujte akumulátor při cca 30%-50% nabíjecí kapacitě.

Opakujte nabíjení akumulátoru každých 6 měsíců.

OCHRANA PROTI PŘETÍŽENÍ AKUMULÁTORU

Při přetížení akumulátoru přilíží vysokým odběrem proudu, například při extrémně vysokých točivých momentech, při blokování vrtáku, náhlém zastavení nebo zkratu, začne vrtáčka na 2 sekundy brúčet a poté se

samočinně vypne.

K opětovnému zapnutí uvolněte spínací tlačítko a poté jej opět zapněte. Při extrémním zatížení se akumulátor může silně zahřát. Dojde-li k tomu, akumulátor se vypne.

Akumulátor v tomto případě k dobití a aktivaci vložte opět do nabíječky.

PŘEPRAVA LITHIUM-IONTOVÝCH BATERIÍ

Lithium-iontové baterie spadají podle zákonných ustanovení pod přepravu nebezpečného nákladu.

Přeprava těchto baterií se musí realizovat s dodržováním lokálních, vnitrostátních a mezinárodních předpisů a ustanovení.

- Spotřebitelé mohou tyto baterie bez problémů přepravovat po komunikacích.
- Komerční přeprava lithium-iontových baterií prostřednictvím přepravních firem podléhá ustanovením o přepravě nebezpečného nákladu. Přípravu k vyexpedování a samotnou přepravu směji vykonávat jen příslušně vyškolené osoby. Na celý proces se musí odborně dohlížet.

Při přepravě baterií je třeba dodržovat následující:

- Zajistěte, aby kontakty byly chráněné a izolované, aby se zamezilo zkrátům.
- Dávejte pozor na to, aby se svazek baterií v rámci balení nemohl sesmeknout.
- Poškozené a vyteklé baterie se nesměji přepravovat.

Ohledně dalších informací se obraťte na vaši přepravní firmu.

ÚDRŽBA

Používat výhradně příslušenství Milwaukee a náhradní díly Milwaukee. Díly jejichž výměny nebyla popsána, nechte vyměnit v autorizovaném servisu (viz. "Záruky / Seznam servisních míst")

V případě potřeby si můžete v servisním centru pro zákazníky nebo přímo od firmy Techtronic Industries GmbH, Max-Eyth-Straße 10, 71364 Winnenden, Německo vyžádat schematický nákras jednotlivých dílů přístroje, když uvedete typ přístroje a šestimístné číslo na vykonovém štítku.

SYMBOLY



POZOR! VAROVÁNÍ! NEBEZPEČÍ!



Před zahájením veškerých prací na stroji vytáhnout síťovou zástrčku ze zásuvky.



Před spuštěním stroje si pečlivě přečtěte návod k používání.



Elektrická zařízení, baterie/akumulátory se nesmí likvidovat společně s odpadem z domácnosti. Elektrická zařízení, baterie/akumulátory je třeba sbírat odděleně a odevzdat je v recyklačním podniku na ekologickou likvidaci. Na místních úřadech nebo u vašeho specializovaného prodejce se informujte na recyklační podniky a sběrné dvory.



Značka CE



Národní znak shody Ukrajiny



Euroasijská značka shody

TECHNICKÉ ÚDAJE	AKUMULÁTOROVÁ PRÍKLEPOVÁ VRŤAČKA AŤAHOVAČKA	M18 FDD	M18 FPD
Výrobné číslo.....		4524 89 03.....	4524 79 03...
		...000001-999999	...000001-999999
Priemer vrtu do ocele.....		13 mm.....	13 mm
Priemer vrtu do dreva.....		45 mm.....	45 mm
Priemer vrtu do tehly a vápencového pieskovca.....		13 mm.....	13 mm
Skrutkovanie do dreva (bez predvrtu).....		10 mm.....	10 mm
Otáčky naprázdno v 1. prevodovom stupni.....		0-550 min ⁻¹	0-550 min ⁻¹
Otáčky naprázdno v 2. prevodovom stupni.....		0-2000 min ⁻¹	0-2000 min ⁻¹
Počet úderov v 1. prevodovom stupni.....		0-8800 min ⁻¹	0-8800 min ⁻¹
Počet úderov v 2. prevodovom stupni.....		0-32000 min ⁻¹	0-32000 min ⁻¹
Točivý moment *1 (5,0 Ah).....		135 Nm.....	135 Nm
Napätie výmenného akumulátora.....		18 V.....	18 V
Upínací rozsah skľučovadla.....		1,5-13 mm.....	1,5-13 mm
Hmotnosť podľa vykonávacieho predpisu EPTA 01/2003 (2,0 Ah).....		2,3 kg.....	2,3 kg
Hmotnosť podľa vykonávacieho predpisu EPTA 01/2003 (5,0 Ah).....		2,5 kg.....	2,5 kg

Informácia o hluku / vibráciách

Namerané hodnoty určené v súlade s EN 60 745.

A-ohodnotená hladina akustického tlaku prístroja ciní

Hladina akustického tlaku (Kolisavosť K=3dB(A))..... 74,5 dB (A) 99,9 dB (A)

Hladina akustického výkonu (Kolisavosť K=3dB(A))..... 85,5 dB (A) 110,9 dB (A)

Používajte ochranu sluchu!

Celkové hodnoty vibrácií (vektorový súčet troch smerov) zistené v zmysle EN 60745.

Hodnota vibračných emisií a_w

Vrtanie betónu s príklepom..... 13,2 m/s²

Kolisavosť K=..... 1,5 m/s²

Vrtanie kovov..... 1,29 m/s²..... 1,29 m/s²

Kolisavosť K=..... 1,5 m/s²..... 1,5 m/s²

Skrutkovanie..... 1,33 m/s²..... 1,33 m/s²

Kolisavosť K=..... 1,5 m/s²..... 1,5 m/s²

*1 Merané podľa Milwaukee normy N 877318

POZOR

Úroveň vibrácií uvedená v týchto pokynoch bola nameraná meracou metódou, ktorú stanovuje norma EN 60745 a je možné ju použiť na vzájomné porovnanie elektrického náradia. Hoď sa aj na predbežné posúdenie kmitavého namáhania.

Uvedená úroveň vibrácií reprezentuje hlavné aplikácie elektrického náradia. Ak sa však elektrické náradie používa pre iné aplikácie, s odlišnými vložnými nástrojmi alebo s nedostatočnou údržbou, môže sa úroveň vibrácií líšiť. Toto môže kmitavé namáhanie v priebehu celej pracovnej doby podstatne zvýšiť.

Pre presný odhad kmitavého namáhania by sa mali tiež zohľadniť doby, v ktorých je náradie vypnuté alebo je síce v chode, ale v skutočnosti sa nepoužíva. Toto môže kmitavé namáhanie v priebehu celej pracovnej doby zreteľne redukovat'.

Stanovte dodatočné bezpečnostné opatrenia pre ochranu obsluhy pred účinkami vibrácií, ako napríklad: údržba elektrického náradia a vložných nástrojov, udržiavanie teploty rúk, organizácia pracovných postupov.

UPOZORNENIE! Prečítajte si všetky bezpečnostné pokyny a návody. Zanedbanie dodržiavania Výstražných upozornení a pokynov uvedených v nasledujúcom texte môže mať za následok zásah elektrickým prúdom, spôsobíť požiar a/alebo ťažké poranenie.

Tieto Výstražné upozornenia a bezpečnostné pokyny starostlivo uschovajte na budúce použitie.

BEZPEČNOSTNÉ POKYNY PRE PRÁCU S VRŤAČKOU

Používajte ochranu sluchu. Pôsobenie hluku môže spôsobiť stratu sluchu.

Používajte prídavné rukoväte dodané spolu s prístrojom. Strata kontroly nad strojom môže viesť k zraneniu.

Pri realizovaní prác, pri ktorých nástroj môže naraziť na skryté elektrické vedenia, držte prístroj za izolované pridrôzovacie plošky. Kontakt s vedením, ktoré je pod napätím, spôsobí, že aj kovové súčiastky náradia sa dostanú pod napätie, čo má za následok zásah elektrickým prúdom.

BEZPEČNOSTNÉ POKYNY PRE PRÁCU SO SKRUTKOVÁČOM

Kadar izvajate dela pri katerih lahko sveder zadane v prikríte električne vode, držite napravo za izolirane prijemalne površine. Stik svedra z električnim vodnikom lahko kovinske deli naprave spravi pod napetost in vodi do električnega udara.

ĎALŠIE BEZPEČNOSTNÉ A PRACOVNÉ POKYNY

Použite ochranné vybavenie. Pri práci s elektrickým náradím používajte vždy ochranné okuliare. Doporučujeme taktiež použitie súčasti ochranného odevu a ochrannej obuvi, ako sú protiprašná maska, ochranné rukavice, pevná a nekľzajúca obuv, ochranná prilba a ochrana sluchu.

Prach vznikajúci pri práci môže byť škodlivý zdraviu. Pri práci nosiť vhodnú ochrannú masku, aby sa nedostal do ľudského organizmu.

Nesmú sa opravovať materiály, ktoré môžu spôsobiť ohrozenie zdravia (napr. azbest)

Pri zablokovaní nasadeného nástroja prístroj okamžite vypnite! Prístroj nezapínajte, pokiaľ je nasadený nástroj zablokovaný; mohol by pri tom vzniknúť spätný náraz s vysokým reakčným momentom. Príčinu zablokovania nasadeného nástroja zistíte a odstránite so zohľadnením bezpečnostných pokynov.

Možnými príčinami môžu byť:

- spriečenie v opracovávanom obrobku
- prelomenie opracovávaného materiálu
- preťaženie elektrického prístroja

Nezasahujte do bežiacieho stroja.

Nasadený nástroj sa počas používania môže rozhorčiť!

POZOR! Nebezpečenstvo popálenia

- pri výmene nástroja
- pri odkladaní prístroja

Triesky alebo úlomky sa nesmú odstraňovať za chodu stroja.

Pri práci v stene, strope alebo v podlahe dávajte pozor na elektrické káble, plynové a vodovodné potrubia.

Obrobok zabezpečte upínacím zariadením. Nebezpečné obrobky môžu spôsobiť ťažké poranenia a poškodenia.

Pred každou prácou na stroji výmenný akumulátor vytriahnuť.

Opatrovaný výmenný akumulátor nezahadzujte do ohňa alebo medzi domový odpad. Milwaukee ponúka likvidáciu starých výmenných akumulátorov, ktorá je v súlade s ochranou životného prostredia; informujte sa u Vášho predajcu.

Výmenné akumulátory neskladovať spolu s kovovými predmetmi (nebezpečenstvo skratu).

Výmenné akumulátory systému M18 nabíjajú len nabíjacími zariadeniami systému M18. Akumulátory iných systémov týmto zariadením nenabíjajú.

Výmenné akumulátory a nabíjacie zariadenia neotvárať a skladovať len v suchých priestoroch. Chrániť pred vlhkosťou.

Pri extrémnych záťažach alebo extrémnych teplotách môže dôjsť k vytekaniu batérovej tekutiny z poškodeného výmenného akumulátora. Ak dôjde ku kontaktu pokožky s roztokom, postihnuté miesto umyť vodou a mydlom. Ak sa roztok dostane do očí, okamžite ich dôkladne vypláchnuť po dobu min. 10 min a bezodkladne vyhľadať lekára.

Varovanie! Aby ste zabránili nebezpečenstvu požiaru spôsobeného skratom, poraneniam alebo poškodeniam výrobku, neponárajte náradie, výmennú batériu alebo nabíjačku do kvapalín a postarajte sa o to, aby do zariadenia a akumulátorov nevnikli žiadne tekutiny. Korodujúce alebo vodivé kvapaliny, ako je slaná voda, určité chemikálie a bieliace prostriedky alebo výrobky, ktoré obsahujú bieliadlo, môžu spôsobiť skrat.

POUŽITIE PODĽA PREDPISOV

M18 FDD: AKU-vrtací skrutkovač je univerzálne použiteľný na vrtanie a skrutkovanie nezávisle od sieťovej prípojky.

M18 FPD: AKU-elektronický príklepový vrtací skrutkovač je univerzálne použiteľný na vrtanie, príklepové vrtanie a skrutkovanie nezávisle od sieťovej prípojky.

Tento prístroj sa smie používať len v súlade s uvedenými predpismi.

CE - VYHLÁSENIE KONFORMITY

Výhradne na vlastnú zodpovednosť vyhlasujeme, že výrobok popísaný v "Technických údajoch" sa zhoduje so všetkými relevantnými predpismi smernice 2011/65/EU (RoHS), 2014/30/EU, 2006/42/EC a nasledujúcimi harmonizujúcimi normatívnymi dokumentmi:

EN 60745-1:2009 + A11:2010

EN 60745-2-1:2010

EN 60745-2-2:2010

EN 55014-1:2006 + A1:2009 + A2:2011

EN 55014-2:2015

EN 50581:2012

Winnenden, 2017-11-30



Alexander Krug
Managing Director



Splnomocnený zostaviť technické podklady.

Technronic Industries GmbH

Max-Eyth-Straße 10

71364 Winnenden

Germany

AKUMULÁTORY

Dlhší čas nepoužívané výmenné akumulátory pred použitím dobíť.

Teplota vyššia ako 50°C znižuje výkon výmenného akumulátora. Zabráňte dlhšiemu ohriatiu slnkom alebo kúrením.

Pripájacie kontakty na nabíjacom zariadení a výmennom akumulátore udržiavať čisté.

K zachovániu optimálnej životnosti se baterie musejí po použití vždy úplné dobíť.

K zabezpečeniu dlhej životnosti by sa akumulátory mali po nabití vybrať z nabíjačky.

Pri skladovaní akumulátora po dobu dlhšiu než 30 dní:

Skladujte akumulátor v suchu pri cca 27°C.

Skladujte akumulátor pri cca 30%-50% nabíjacej kapacity.

Opakujte nabíjanie akumulátora každých 6 mesiacov.

OCHRANA PROTI PREŤAŽENIU AKUMULÁTORA

Pri preťažení akumulátora príliš vysokým odberom prúdu, napríklad pri extrémne vysokých točivých momentoch, pri blokovanií vrtáka, náhrom zastavení alebo skrate, začne vrtáčka na 2 sekundy hučať a potom sa samočinne vypne.

K opätovnému zapnutiu uvoľnite spínacie tlačidlo a potom ho opäť zapnite. Pri extrémnom zatažení sa akumulátor môže silne zahriať. Ak k tomu dôjde, akumulátor sa vypne.

Akumulátor v tomto prípade k dobitiu a aktivácii vložte opäť do nabíjačky.

PREPRAVA LÍTOVO-IÓNOVÝCH BATÉRIÍ

Lítovo-iónové batérie podľa zákonných ustanovení spadajú pod prepravu nebezpečného nákladu.

Preprava týchto batérií sa musí realizovať s dodržiavaním lokálnych, vnútroštátnych a medzinárodných predpisov a ustanovení.

- Spotrebiteľia môžu tieto batérie bez problémov prepravovať po cestách.
- Komerčná preprava lítovo-iónových batérií prostredníctvom špeciálnych firiem podlieha ustanoveniam o preprave nebezpečného nákladu. Pripravu k vyexpedovaniu a samotnú prepravu smú vykonávať iba adekvátne vyškolené osoby. Na celý proces sa musí odborné dohliadať.

Pri preprave batérií treba dodržiavať nasledovné:

- Zabezpečiť, aby boli kontakty chránené a izolované, aby sa zamedzilo skratom.
- Dávajte pozor na to, aby sa zväzok batérií v rámci balenia nemohol zošmyknúť.
- Poškodené a vytečené batérie sa nesmú prepravovať.

Kvôli ďalším informáciám sa obráťte na vašu špeciálnu firmu.

ÚDRZBA

Používať len Milwaukee príslušenstvo a Milwaukee náhradné diely. Súčiastky bez návodu na výmenu treba dat vymeniť v jednom z Milwaukee zákaznických centier (viď brožúru Záruka/Adresy zákaznických centier).

V prípade potreby si môžete v servisnom centre pre zákazníkov alebo priamo od firmy Technronic Industries GmbH, Max-Eyth-Straße 10, 71364 Winnenden, Nemecko, vyžiadať schematický náčrt jednotlivých dielov prístroja pri uvedení typu prístroja a šestmiestneho čísla na výkonovom štítku.

SYMBOLY



POZOR! NEBEZPEČENSTVO!



Pred každou prácou na stroji vytriahnite zástrčku zo zásuvky.



Pred prvým použitím prístroja si pozorne prečítajte návod na obsluhu.



Elektrické zariadenia, batérie/akumulátory sa nesmú likvidovať spolu s odpadom z domácností. Elektrické zariadenia, batérie/akumulátory treba zbierať oddelene a odovzdať ich v recyklačnom podniku na ekologickú likvidáciu. Na miestnych úradoch alebo u vášho špecializovaného predajcu sa spýtajte na recyklačné podniky a zberné dvory.



Značka CE



Národný znak zhody Ukrajiny

TR 066



Euroázijská značka zhody

DANE TECHNICZNE	AKUMULATOROWA WIERTARKA/WKRĘTARKA UDAROWA	M18 FDD	M18 FPD
Numer produkcyjny	4524 89 03 ...000001-999999	4524 79 03... ...000001-999999
Zdolność wiercenia w stali	13 mm	13 mm
Zdolność wiercenia w drewnie	45 mm	45 mm
Zdolność wiercenia w cegła i płytki ceramiczne	-	13 mm
Wkręty do drewna (bez nawiercania wstępnego)	10 mm	10 mm
Prędkość bez obciążenia na pierwszym biegu	0-550 min ⁻¹	0-550 min ⁻¹
Prędkość bez obciążenia na drugi bieg	0-2000 min ⁻¹	0-2000 min ⁻¹
Częstotliwość uderu na pierwszym biegu	-	0-8800 min ⁻¹
Częstotliwość uderu na drugi bieg	-	0-32000 min ⁻¹
Moment obrotowy *1 (5,0 Ah)	135 Nm	135 Nm
Napięcie baterii akumulatorowej	18 V	18 V
Zakres otwarcia uchwyty wiertarskiego	1,5-13 mm	1,5-13 mm
Ciężar wg procedury EPTA 01/2003 (2,0 Ah)	2,3 kg	2,3 kg
Ciężar wg procedury EPTA 01/2003 (5,0 Ah)	2,5 kg	2,5 kg

Informacja dotycząca szumów / wibracji

Zmierzone wartości wyznaczono zgodnie z normą EN 60 745.

Typowy poziom ciśnienia akustycznego mierzony wg krzywej A:

Poziom ciśnienia akustycznego (Niepewność K=3dB(A)) 74,5 dB (A) 99,9 dB (A)

Poziom mocy akustycznej (Niepewność K=3dB(A)) 85,5 dB (A) 110,9 dB (A)

Należy używać ochraniaczy uszu!

Wartości łączne drgań (suma wektorowa trzech kierunków) wyznaczone

zgodnie z normą EN 60745

Wartość emisji drgań a

Wiercenie udarowe w betonie	13,2 m/s ²
Niepewność K=	1,5 m/s ²
Wiercenie w metalu	1,29 m/s ²
Niepewność K=	1,5 m/s ²
Przykręcanie	1,33 m/s ²
Niepewność K=	1,5 m/s ²

*1 Zmierzone zgodnie z normą Milwaukee N 877318

OSTRZEŻENIE

Podany w niniejszych instrukcjach poziom drgań został zmierzony za pomocą metody pomiarowej zgodnej z normą EN 60745 i może być użyty do porównania ze sobą elektronarzędzi. Nadaje się on również do tymczasowej oceny obciążenia wibracyjnego.

Podany poziom drgań reprezentuje główne zastosowania elektronarzędzia. Jeśli jednakże elektronarzędzie użyte zostanie do innych celów z innym narzędziami roboczymi lub nie jest dostatecznie konserwowane, wtedy poziom drgań może wykazywać odchylenia. Może to wyraźnie zwiększyć obciążenie wibracjami przez cały okres pracy.

Dla dokładnego określenia obciążenia wibracjami należy uwzględnić również czasy, w których urządzenie jest wyłączone względnie jest włączone, lecz w rzeczywistości nie pracuje. Może to spowodować wyraźną redukcję obciążenia wibracyjnego w całym okresie pracy.

Należy wprowadzić dodatkowe środki zapobiegawcze celem ochrony obsługującego przed oddziaływaniem drgań, jak na przykład: konserwacja narzędzi roboczych i elektronarzędzi, nagranie rąk, organizacja przebiegu pracy.

OSTRZEŻENIE! Należy przeczytać wszystkie wskazówki dotyczące bezpieczeństwa i instrukcje.

Błędy w przestrzeganiu poniższych wskazówek mogą spowodować porażenie prądem, pożar i/lub ciężkie obrażenia ciała.

Należy starannie przechowywać wszystkie przepisy i wskazówki bezpieczeństwa dla dalszego zastosowania.

WSKAZÓWKI BEZPIECZEŃSTWA DLA WIERTAREK

Stosować środki ochrony słuchu! Narażenie na hałas może spowodować utratę słuchu.

Stosować uchwyty pomocnicze dostarczone z narzędziem. Utrata kontroli może spowodować obrażenia.

Trzymaj urządzenie za izolowane powierzchnie chwytne gdy wykonujesz roboty, w trakcie których narzędzie skrawające może natrafić na ukryte przewody prądowe.

Kontakt z przewodami pod napięciem wprowadza również metalowe części urządzenia pod napięcie i prowadzi do porażenia prądem.

WSKAZÓWKI BEZPIECZEŃSTWA DLA WKRĘTAREK

Trzymaj urządzenie za izolowane powierzchnie chwytne, gdy wykonujesz roboty, w trakcie których śruba może natrafić na ukryte przewody prądowe. Kontakt śruby z przewodem pod napięciem może spowodować podłączenie części metalowych urządzenia do napięcia i prowadzić do porażenia prądem elektrycznym.

DODATKOWE WSKAZÓWKI BEZPIECZEŃSTWA I INSTRUKCJE ROBOCZE

Stosować wyposażenie ochronne. Przy pracy maszyną zawsze nosić okulary ochronne. Zalecana jest odzież ochronna, jak maska pyłochronna, rękawice ochronne, močne i chroniące przed poślizgiem obuwie, kask i ochronniki słuchu.

Kurz powstający przy pracy z tym elektronarzędziem może być szkodliwy dla zdrowia, w związku z tym nie powinien dotrzeć do ciała. Nosić odpowiednią maskę przeciwydową.

Nie wolno obrabiać materiałów, które mogą być przyczyną zagrożenia zdrowia (na przykład azbestu).

W przypadku zablokowania narzędzia nasadzanego należy natychmiast wyłączyć urządzenie! Nie należy ponownie włączyć urządzenia tak długo, jak długo narzędzie nasadzone jest zablokowane; przy tym mogłoby powstać odrzut zwrotny o dużym momencie reakcyjnym. Należy wykręcić i usunąć przyczynę zablokowania narzędzia nasadzanego uwzględniając wskazówki dotyczące bezpieczeństwa.

Możliwymi przyczynami tego mogą być:

- Skośne ustawienie się w poddawany obróbce przedmiocie obrabianym
- Przerwanie materiału poddawanego obróbce
- Przeciążenie narzędzia elektrycznego

Nie należy sięgać do wnętrza maszyny będącej w ruchu.

Narzędzie nasadzone może w trakcie użytkowania stać się gorące.

OSTRZEŻENIE! Niebezpieczeństwo oparzenia się

- przy wymianie narzędzia
- przy odstawianiu urządzenia

Podczas pracy elektronarzędzia nie wolno usuwać trocin ani drzazg.

Podczas pracy przy ścianach, sufitach i podłodze należy uważać na kable elektryczne, przewody gazowe i wodociągowe.

Należy zabezpieczyć przedmiot poddawany obróbce za pomocą urządzenia mocującego. Niebezpieczne przedmioty poddawane obróbce mogą spowodować ciężkie obrażenia ciała i uszkodzenia.

Przed przystąpieniem do jakichkolwiek prac na elektronarzędziu należy wyjąć wkładkę akumulatorową.

Zużytych akumulatorów nie wolno wrzucać do ognia ani traktować jako odpadów domowych. Milwaukee oferuje ekologiczną utylizację zużytych akumulatorów.

Nie przechowywać akumulatorów wraz z przedmiotami metalowymi (niebezpieczeństwo zwarcia).

Akumulatory Systemu M18 należy ładować wyłącznie przy pomocy ładowarek Systemu M18. Nie ładować przy pomocy tych ładowarek akumulatorów innych systemów.

Nie otwierać wkładek akumulatorowych i ładowarek. Przechowywać w suchych pomieszczeniach. Chronić przed wilgocią.

W skrajnych warunkach temperaturowych lub przy bardzo dużym obciążeniu może dochodzić do wycieku kwasu akumulatorowego z uszkodzonych baterii akumulatorowych. W przypadku kontaktu z kwasem akumulatorowym należy natychmiast przemyć miejsce kontaktu wodą z mydłem. W przypadku kontaktu z oczami należy dokładnie przepłukiwać oczy przynajmniej przez 10 minut i zwrócić się natychmiast o pomoc medyczną.

Ostrzeżenie! Aby uniknąć niebezpieczeństwa pożaru, obrażeń lub uszkodzeń produktu na skutek zwarcia, nie wolno zanurzać narzędzia, akumulatora wymiennego ani ładowarki w cieczach i należy zatroszczyć się o to, aby do urządzeń i akumulatorów nie dostały się żadne ciecz. Zwarcie spowodować mogą korodujące lub przewodzące cieczce, takie jak woda morska, określone chemikalia i wybielacze lub produkty zawierające wybielacze.

WARUNKI UŻYTKOWANIA

M18 FDD: Uniwersalna wiertarko- wkrętarka akumulatorowa przeznaczona jest do wiercenia i wkręcania z dala od źródła zasilania sieciowego.

M18 FPD: Elektroniczna akumulatorowa wiertarka udarowa/wkrętarka przeznaczona jest do wiercenia, wiercenia udarowego, a także wkręcania przy pracy z dala od źródła zasilania sieciowego.

Produkt można użytkować wyłącznie zgodnie z jego normalnym przeznaczeniem.

DEKLARACJA ZGODNOŚCI CE

Oświadczamy na naszą wyłączną odpowiedzialność, że produkt opisany w punkcie "Dane techniczne" jest zgodny ze wszystkimi istotnymi przepisami Dyrektywy 2011/65/EU (RoHS), 2014/30/EU, 2006/42/WE oraz z następującymi zharmonizowanymi dokumentami normatywnymi:

EN 60745-1:2009 + A11:2010
EN 60745-2-1:2010
EN 60745-2-2:2010
EN 55014-1:2006 + A1:2009 + A2:2011
EN 55014-2:2015
EN 50581:2012

Winnenden, 2017-11-30



Alexander Krug
Managing Director



Upelnomocniony do zestawienia danych technicznych

Techtronic Industries GmbH
Max-Eyth-Straße 10
71364 Winnenden
Germany

BATERIE AKUMULATOROWE

Akumulatory, które nie były przez dłuższy czas użytkowane, należy przed użyciem naładować.

W temperaturze powyżej 50°C następuje spadek osiągniętych wkładki akumulatorowej. Unikaj długotrwałego wystawienia na oddziaływanie ciepła lub promieni słonecznych (niebezpieczeństwo przegrzania).

Styki ładowarek i wkładek akumulatorowych należy utrzymywać w czystości

W celu zagwarantowania optymalnej żywotności należy po zakończonej eksploatacji naładować akumulatory do pełna.

Dla zapewnienia możliwie długiej żywotności akumulatory należy wyjąć z ładowarki po ich naładowaniu.

W przypadku składowania akumulatorów dłużej aniżeli 30 dni: Przechowywać je w suchym miejscu w temperaturze ok. 27°C. Przechowywać je w stanie naładowanym do ok. 30% - 50%. Ładować je ponownie co 6 miesięcy.

AZ AKKUMULÁTOR TŰLTERHELÉS ELLEN VÉDELME

Przy przeciążeniu akumulatora bardzo dużym prądem na przykład wskutek ekstremalnie dużych momentów obrotowych, zakleszczenia wiertła, nagłego zatrzymania się lub zwarcia narzędzie elektryczne 'buczy' przez 2 sekundy i samoczynnie wyłącza się. W celu ponownego włączenie należy zwolnić, a następnie ponownie włączyć przycisk

wyłącznika. Pod ekstremalnymi obciążeniami może dojść do silnego nagrzania się akumulatora. W takim wypadku akumulator wyłącza się. Wówczas należy włączyć akumulator do ładowarki, aby go ponownie naładować i aktywować.

TRANSPORT AKUMULATORÓW LITOWO-JONOWYCH

Akumulatory litowo-jonowe podlegają ustawowemu przepisom dotyczącym transportu towarów niebezpiecznych.

Transport tych akumulatorów winien odbywać się przy przestrzeganiu lokalnych, krajowych i międzynarodowych rozporządzeń i przepisów.

- Odbiorcom nie wolno transportować tych akumulatorów po drogach od tak po prostu.
- Komercyjny transport akumulatorów litowo-jonowych przez przedsiębiorstwa spedycyjne podlega przepisom dotyczącym transportu towarów niebezpiecznych. Przygotowania do wysyłki oraz transport mogą być wykonywane wyłącznie przez odpowiednio przeszkolone osoby. Cały proces winien odbywać się pod fachowym nadzorem.

W czasie transportu akumulatorów należy przestrzegać następujących punktów:

- Celem uniknięcia zwarć należy upewnić się, że zestyki są zabezpieczone i zaizolowane.
- Zwracać uwagę na to, aby zespół akumulatorów nie mógł się przemieszczać we wnętrzu opakowania.
- Nie wolno transportować akumulatorów uszkodzonych lub z wyciekającym z elektrolitem.

Odnosnie dalszych wskazań należy zwrócić się do swojego przedsiębiorstwa spedycyjnego.

UTRZYMANIE I KONSERWACJA

Używać tylko i wyłącznie wyposażenia dodatkowego Milwaukee i części zamiennych Milwaukee. Gdyby trzeba było wymienić części, które nie zostały opisane, należy skontaktować się z przedstawicielem serwisu Milwaukee (patrz wykaz adresów punktów usługowych/gwarancyjnych).

W razie potrzeby można zamówić rysunek urządzenia w rozłożeniu na części podając typ maszyny oraz sześciocyfrowy numer na tabliczce znamionowej w Punkcie Obsługi Klienta lub bezpośrednio w firmie Techtronic Industries GmbH, Max-Eyth-Straße 10, 71364 Winnenden, Germany.

SYMBOLY



UWAGA! OSTRZEŻENIE NIEBEZPIECZEŃSTWO!



Przed przystąpieniem do jakichkolwiek prac związanych z elektronarzędziem należy wyjąć wtyczkę z gniazdka.



Przed uruchomieniem elektronarzędzia zapoznać się uważnie z treścią instrukcji.



Urządzenia elektryczne, baterie/akumulatory nie mogą być usuwane razem z odpadami pochodzącymi z gospodarstw domowych. Urządzenia elektryczne i akumulatory należy gromadzić oddzielnie i w celu usuwania ich do odpadów zgodnie z wymaganiami środowiska naturalnego oddawać do przedsiębiorstwa utylizacyjnego. Proszę zasięgnąć informacji o centrach recyklingowych i punktach zbiorczych u władz lokalnych lub u wyspecjalizowanego dostawcy.



Znak CE



Krajowy znak zgodności Ukraina



Znak zgodności EurAsian

MŰSZAKI ADATOK AKKUMULÁTOROS ÚTVEFÚRÓ/CSAVARÓZÓGÉP	M18 FDD	M18 FPD
Gyártási szám.....	4524 89 03.....	4524 79 03... ..
	...000001-999999	...000001-999999
Furat- \emptyset acélba	13 mm	13 mm
Furat- \emptyset fába	45 mm	45 mm
Furat- \emptyset téglába és mészkőbe	13 mm	13 mm
Facsavar (előfúrás nélkül)	10 mm	10 mm
Üresjárat fordulatszám 1. sebességben	0-550 min ⁻¹	0-550 min ⁻¹
Üresjárat fordulatszám 2. fokozatban	0-2000 min ⁻¹	0-2000 min ⁻¹
Ütésszám 1. sebességben	0-8800 min ⁻¹	0-8800 min ⁻¹
Ütésszám 2. fokozatban	0-32000 min ⁻¹	0-32000 min ⁻¹
Forgatónyomaték *1 (5,0 Ah).....	135 Nm	135 Nm
Akkumulátor feszültség	18 V	18 V
Befogási tartomány	1,5-13 mm	1,5-13 mm
Súly a 01/2003 EPTA-eljárás szerint (2,0 Ah)	2,3 kg	2,3 kg
Súly a 01/2003 EPTA-eljárás szerint (5,0 Ah)	2,5 kg.....	2,5 kg

Zaj-Vibráció-információ

A köztölt értékek megfelelnek az EN 60 745 szabványnak.

Szabvány szerinti A-értékelésű hangszint:

Hangnyomás szint (K bizonytalanság=3dB(A))..... 74,5 dB (A) 99,9 dB (A)

Hangteljesítmény szint (K bizonytalanság=3dB(A))..... 85,5 dB (A) 110,9 dB (A)

Hallásvédő eszköz használata ajánlott!

Összesített rezgésértékek (három irány vektoriális összege) az EN

60745-nek megfelelően meghatározva.

a rezgésemisszió érték

Útvefúrás betonban..... 13,2 m/s²

K bizonytalanság =..... 1,5 m/s²

Fúrás fémbe..... 1,29 m/s²..... 1,29 m/s²

K bizonytalanság =..... 1,5 m/s²..... 1,5 m/s²

Csavarozás..... 1,33 m/s²..... 1,33 m/s²

K bizonytalanság =..... 1,5 m/s²..... 1,5 m/s²

*1 Az Milwaukee N 877318 szabvány szerint mérve

FIGYELMEZTETÉS

A jelen utasításokban megadott rezgésszint értéke az EN 60745-ben szabályozott mérési eljárásnak megfelelően került leírásra, és használható elektromos

szerszámokkal történő összehasonlítható. Az érték alkalmas a rezgésterhelés előzetes megbecsülésére is.

A megadott rezgésszint-érték az elektromos szerszám legfőbb alkalmazásait reprezentálja. Ha az elektromos szerszámot azonban más alkalmazásokhoz, eltérő

használt szerszámokkal vagy nem elegendő karbantartással használják, a rezgésszint értéke eltérő lehet. Ez jelentősen megnövelheti a rezgésterhelést a munkavégzés

teljes időtartama alatt.

A rezgésterhelés pontos megbecsüléséhez azokat az időket is figyelembe kell venni, melyekben a készülék lekapcsolódik, vagy ugyan működik, azonban ténylegesen

nincs használatban. Ez jelentősen csökkentheti a rezgésterhelést a munkavégzés teljes időtartama alatt.

Határozzon meg további biztonsági intézkedéseket a kezelő védelmére a rezgések hatása ellen, például: az elektromos és a használt szerszámok karbantartásával, a

kezek melegen tartásával, a munkafolyamatok megszervezésével.

▲ FIGYELMEZTETÉS! Olvasson el minden biztonsági útmutatást és utasítást.

A következőkben leírt előírások betartásának elmulasztása

áramütésekhez, tűzhöz és/vagy súlyos testi sérülésekhez vezethet.

Kérjük a későbbi használatra gondosan őrizze meg ezeket az előírásokat.

▲ BIZTONSÁGI ÚTMUTATÁSOK FÚRÓGÉPEKHEZ

Viseljen hallásvédőt. A zajhatás a hallás elvesztését eredményezheti.

Használja a készülékkel együtt szállított kézfogánytűkát. A készülék fölötti

ellenőrzés elvesztése sérüléseket okozhat.

A készüléket a szigetelt markolatfelületeket fogva tartsa, ha olyan

munkálatokat végez, melyeknél a vágószerszám rejtett elektromos

vezetékekbe. Ha a berendezés egy feszültség alatt álló vezetékhez ér, a

berendezés fémrészei szintén feszültség alá kerülhetnek és áramütéshez

vezethetnek.

▲ BIZTONSÁGI ÚTMUTATÁSOK CSAVARÓZÓGÉPEKHEZ

Olyan munkák végzésekor, melyeknél a csavar rejtett áramvezetékeket

érhet, a szigetelt markolati felületeknél tartsa a készüléket. A csavar

feszültségvezető vezetékkel érintkezve fém alkatrészeket helyezhet feszültség

alá, és elektromos áramütést idézhet elő.

TOVÁBBI BIZTONSÁGI ÉS MUNKAVÉZETÉSI UTASÍTÁSOK

Használjon védőfelszerelést! Ha a gépen dolgozik, mindig hordjon

védőszemüveget! Javasoljuk a védőruházat, úgymint porvédő maszk, védőcipő,

erős és csúszásbiztos lábbeli, sisak és hallásvédő használatát.

A munka során keletkező por gyakran egészségre káros, ezért ne kerüljön a

szervezetbe

Hordjon e célra alkalmas porvédőmaszkot.

MŰSZAKI ADATOK AKKUMULÁTOROS ÚTVEFÚRÓ/CSAVARÓZÓGÉP

MŰSZAKI ADATOK AKKUMULÁTOROS ÚTVEFÚRÓ/CSAVARÓZÓGÉP	M18 FDD	M18 FPD
Gyártási szám.....	4524 89 03.....	4524 79 03... ..
	...000001-999999	...000001-999999
Furat- \emptyset acélba	13 mm	13 mm
Furat- \emptyset fába	45 mm	45 mm
Furat- \emptyset téglába és mészkőbe	13 mm	13 mm
Facsavar (előfúrás nélkül)	10 mm	10 mm
Üresjárat fordulatszám 1. sebességben	0-550 min ⁻¹	0-550 min ⁻¹
Üresjárat fordulatszám 2. fokozatban	0-2000 min ⁻¹	0-2000 min ⁻¹
Ütésszám 1. sebességben	0-8800 min ⁻¹	0-8800 min ⁻¹
Ütésszám 2. fokozatban	0-32000 min ⁻¹	0-32000 min ⁻¹
Forgatónyomaték *1 (5,0 Ah).....	135 Nm	135 Nm
Akkumulátor feszültség	18 V	18 V
Befogási tartomány	1,5-13 mm	1,5-13 mm
Súly a 01/2003 EPTA-eljárás szerint (2,0 Ah)	2,3 kg	2,3 kg
Súly a 01/2003 EPTA-eljárás szerint (5,0 Ah)	2,5 kg.....	2,5 kg

Zaj-Vibráció-információ

A köztölt értékek megfelelnek az EN 60 745 szabványnak.

Szabvány szerinti A-értékelésű hangszint:

Hangnyomás szint (K bizonytalanság=3dB(A))..... 74,5 dB (A) 99,9 dB (A)

Hangteljesítmény szint (K bizonytalanság=3dB(A))..... 85,5 dB (A) 110,9 dB (A)

Hallásvédő eszköz használata ajánlott!

Összesített rezgésértékek (három irány vektoriális összege) az EN

60745-nek megfelelően meghatározva.

a rezgésemisszió érték

Útvefúrás betonban..... 13,2 m/s²

K bizonytalanság =..... 1,5 m/s²

Fúrás fémbe..... 1,29 m/s²..... 1,29 m/s²

K bizonytalanság =..... 1,5 m/s²..... 1,5 m/s²

Csavarozás..... 1,33 m/s²..... 1,33 m/s²

K bizonytalanság =..... 1,5 m/s²..... 1,5 m/s²

*1 Az Milwaukee N 877318 szabvány szerint mérve

FIGYELMEZTETÉS

A jelen utasításokban megadott rezgésszint értéke az EN 60745-ben szabályozott mérési eljárásnak megfelelően került leírásra, és használható elektromos

szerszámokkal történő összehasonlítható. Az érték alkalmas a rezgésterhelés előzetes megbecsülésére is.

A megadott rezgésszint-érték az elektromos szerszám legfőbb alkalmazásait reprezentálja. Ha az elektromos szerszámot azonban más alkalmazásokhoz, eltérő

használt szerszámokkal vagy nem elegendő karbantartással használják, a rezgésszint értéke eltérő lehet. Ez jelentősen megnövelheti a rezgésterhelést a munkavégzés

teljes időtartama alatt.

A rezgésterhelés pontos megbecsüléséhez azokat az időket is figyelembe kell venni, melyekben a készülék lekapcsolódik, vagy ugyan működik, azonban ténylegesen

nincs használatban. Ez jelentősen csökkentheti a rezgésterhelést a munkavégzés teljes időtartama alatt.

Határozzon meg további biztonsági intézkedéseket a kezelő védelmére a rezgések hatása ellen, például: az elektromos és a használt szerszámok karbantartásával, a

kezek melegen tartásával, a munkafolyamatok megszervezésével.

▲ FIGYELMEZTETÉS! Olvasson el minden biztonsági útmutatást és utasítást.

A következőkben leírt előírások betartásának elmulasztása

áramütésekhez, tűzhöz és/vagy súlyos testi sérülésekhez vezethet.

Kérjük a későbbi használatra gondosan őrizze meg ezeket az előírásokat.

▲ BIZTONSÁGI ÚTMUTATÁSOK FÚRÓGÉPEKHEZ

Viseljen hallásvédőt. A zajhatás a hallás elvesztését eredményezheti.

Használja a készülékkel együtt szállított kézfogánytűkát. A készülék fölötti

ellenőrzés elvesztése sérüléseket okozhat.

A készüléket a szigetelt markolatfelületeket fogva tartsa, ha olyan

munkálatokat végez, melyeknél a vágószerszám rejtett elektromos

vezetékekbe. Ha a berendezés egy feszültség alatt álló vezetékhez ér, a

berendezés fémrészei szintén feszültség alá kerülhetnek és áramütéshez

vezethetnek.

▲ BIZTONSÁGI ÚTMUTATÁSOK CSAVARÓZÓGÉPEKHEZ

Olyan munkák végzésekor, melyeknél a csavar rejtett áramvezetékeket

érhet, a szigetelt markolati felületeknél tartsa a készüléket. A csavar

feszültségvezető vezetékkel érintkezve fém alkatrészeket helyezhet feszültség

alá, és elektromos áramütést idézhet elő.

TOVÁBBI BIZTONSÁGI ÉS MUNKAVÉZETÉSI UTASÍTÁSOK

Használjon védőfelszerelést! Ha a gépen dolgozik, mindig hordjon

védőszemüveget! Javasoljuk a védőruházat, úgymint porvédő maszk, védőcipő,

erős és csúszásbiztos lábbeli, sisak és hallásvédő használatát.

A munka során keletkező por gyakran egészségre káros, ezért ne kerüljön a

szervezetbe

Hordjon e célra alkalmas porvédőmaszkot.

Az M18 elnevezésű rendszerhez tartozó akkumulátorokat kizárólag a

rendszerhez tartozó töltővel töltsse fel. Ne használjon más rendszerbe tartozó

töltőt.

Az akkumulátort, töltőt nem szabad megbontani és kizárólag száraz helyen

szabad tárolni. Nedvességtől óvni kell.

Akkumulátor sav folyhat a sérült akkumulátorból extrém terhelés alatt, vagy

extrém hő miatt. Ha az akkumulátor sav a bőrére kerül azonnal mossa meg

szappanos vízzel. Szembe kerülés esetén folyóvíz alatt tartsa a szemét

minimum 10 percig és azonnal forduljon orvoshoz.

Figyelmeztetés! A rövidzárlat általi tűz, sérülések vagy termékárosodások

veszélye elkerülésére ne merítse a szerszámot, a cserélhető akkut vagy a

töltőkészüléket folyadékokba, és gondoskodjon arról, hogy ne hatoljanak

folyadékok a készülékekbe és az akkukba. A korrozív hatású vagy vezetőképes

folyadékok, mint pl. a sós víz, bizonyos vegyi anyagok, fehérítők vagy fehérítő

tartalmú termékek, rövidzárlatot okozhatnak.

RENDELTESSZERŰ HASZNÁLAT

M18 FDD: Az akkumulátoros fűrő-csavarozó készülék általánosan használható

fűrészhez és csavarozáshoz.

M18 FPD: Az akkumulátoros, elektronikus útvefűrő-csavarozó hálózattól

függetlenül általánosan használható fűrészhez, útvefűrészhez és csavarozáshoz.

A készüléket kizárólag az alábbiakban leírtaknak megfelelően szabad használni.

CE-AZONOSSÁGI NYILATKOZAT

Egyedüli felelősséggel kijelentjük, hogy a "Műszaki Adatok" alatt leírt termék a

2011/65/EU (RoHS), 2014/30/EU, 2006/42/EK irányelvek minden releváns

előírásának, ill. az alábbi harmonizált normatív dokumentumoknak megfelel:

EN 60745-1:2009 + A11:2010

EN 60745-2-1:2010

EN 60745-2-2:2010

EN 55014-1:2006 + A1:2009 + A2:2011

EN 55014-2:2015

EN 50581:2012

Winnenden, 2017-11-30

Alexander Krug

Managing Director

Műszaki dokumentáció összeállítása felhatalmazva

Techtronic Industries GmbH

Max-Eyth-Straße 10

71364 Winnenden

Germany

AKKUK

A hosszabb ideig üzemben kívül lévő akkumulátort használat előtt ismételtlen fel

kell tölteni.

50°C feletti hőmérsékletnél csökkenhet az akkumulátor teljesítménye. Kerülni

kell a túlzottan meleg helyen vagy napon történő hosszabb idejű tárolást.

A töltő és az akkumulátor csatlakozóit mindig tisztán kell tartani.

Az optimális élettartam érdekében használat után az akkukat teljesen fel kell

tölteni.

A lehetőleg hosszú élettartamhoz az akkukat feltöltés után ki kell venni a

töltőkészülékből.

Az akku 30 napot meghaladó tárolása esetén:

Az akkut kb. 27 °C-on, száraz helyen kell tárolni.

Az akkut kb. 30-50%-os töltöttségi állapotban kell tárolni.

Az akkut 6 havonta újra fel kell tölteni.

AZ AKKUMULÁTOR TÚLTERHELÉS ELLENI VÉDELME

Az akku túl magas áramfogyasztás miatti, pl. túl nagy forgatónyomatékok, a fűrő

megszorulása, hirtelen leállás következtében fellépő túlterhelése esetén az

elektromos szerszám 2 másodpercig zúg, és önműködően lekapcsol.

Az újbóli bekapcsoláshoz el kell engedni a kapcsolóbillentyűt, majd ismét be kell

kapcsolni.

Extrém mértékű terhelés esetén az akku erősen felforrósodhat. Ebben az

esetben az akku lekapcsol.

Az ismételt feltöltéshez és aktiváláshoz ekkor dugja az akkut a töltőkészülékbe.

LÍTIUM-ION AKKUK SZÁLLÍTÁSA

A lítium-ion akkuk a veszélyes áruk szállítására vonatkozó törvényi

rendeletek hatálya alá tartoznak.

Az ilyen akkuk szállításának a helyi, országos és nemzetközi előírások és

rendeletek betartása mellett kell történnie.

• A fogyasztók minden további nélkül szállíthatják az ilyen akkukat közúton.

• A lítium-ion akkuk szállítványozási vállalatok általi kereskedelmi célú

szállítására a veszélyes áruk szállítására vonatkozó rendeletek

érvényesek. A kiszállítás előkészítését és a szállítást kizárólag megfelelő

képzettségű személyek végezhetik. A teljes folyamatnak szakmai felügyelet

alatt kell történnie.

A következő pontokat kell figyelembe venni akkuk szállításakor:

• Biztosítsa, hogy a rövidzárlatok elkerülése érdekében az érintkezők védve és

szigetelve legyenek.</

TEHNIČNI PODATKI	BATERIJSKI UDARNI VRVALNIKI/VJAČNIKI	M18 FDD	M18 FPD
Proizvodna številka.....		4524 89 03.....	4524 79 03.....
		...000001-999999	...000001-999999
Vrtalni ø v jeklu.....		13 mm.....	13 mm.....
Vrtalni ø v lesu.....		45 mm.....	45 mm.....
Vrtalni ø v opeki in apnenem peščencu.....		13 mm.....	13 mm.....
lesni vijaki (brez predhodnega vrtnja).....		10 mm.....	10 mm.....
Število vrtljajev v prostem teku v 1. prestavi.....		0-550 min ⁻¹	0-550 min ⁻¹
Število vrtljajev v prostem teku v 2. prestavi.....		0-2000 min ⁻¹	0-2000 min ⁻¹
Število udarcev v 1. prestavi.....		0-8800 min ⁻¹	0-8800 min ⁻¹
Število udarcev v 2. prestavi.....		0-32000 min ⁻¹	0-32000 min ⁻¹
Vrtljni moment *1 (5,0 Ah).....		135 Nm.....	135 Nm.....
Napetost izmenljivega akumulatorja.....		18 V.....	18 V.....
Napenjalno področje vpenjalne glave.....		1,5-13 mm.....	1,5-13 mm.....
Teža po EPTA-proceduri 01/2003 (2,0 Ah).....		2,3 kg.....	2,3 kg.....
Teža po EPTA-proceduri 01/2003 (5,0 Ah).....		2,5 kg.....	2,5 kg.....

Informacije o hrupnosti/vibracijah

Vrednosti merjenja ugotovljene ustrezno z EN 60 745.

A ocenjeni nivo zvočnega tlaka znaša tipično

Nivo zvočnega tlaka (Nevarnost K=3dB(A))..... 74,5 dB (A)..... 99,9 dB (A)

Višina zvočnega tlaka (Nevarnost K=3dB(A))..... 85,5 dB (A)..... 110,9 dB (A)

Nosite zaščito za sluh!

Skupna vibracijska vrednost (Vektorska vsota treh smeri) določena ustrezno EN 60745.

Vibracijska vrednost emisij a_h

Udamo vrtnje v beton..... 13,2 m/s²

Nevarnost K=..... 1,5 m/s²

Vrtnje v kovine..... 1,29 m/s²..... 1,29 m/s²

Nevarnost K=..... 1,5 m/s²..... 1,5 m/s²

Vijačenje..... 1,33 m/s²..... 1,33 m/s²

Nevarnost K=..... 1,5 m/s²..... 1,5 m/s²

*1 Izmerjeno po Milwaukee normi N 877318

OPOZORILO

V teh navodilih navedena raven tresljajev je bila izmerjena po EN60745 normiranem merilnem postopku in lahko služi medsebojni primerjavi električnih orodij. Prav tako je primeren za predhodno oceno obremenitve s tresljaji.

Navedena raven tresljajev navaja najpomembnejše vrste rabe električnega orodja. Kadar se električno orodje uporablja za drugačne namene, z odstopajočimi orodji ali pa z nezadostnim vzdrževanjem, lahko raven tresljajev tudi odstopa. Le to lahko čez celoten delovni čas znatno zviša obremenitev s tresenjem.

Za natančno oceno obremenitve s tresljaji naj bi se upošteval tudi čas v katerem je naprava izklopljena ali sicer teče, vendar dejansko ni v rabi. Le to lahko obremenitev s tresljaji čez celoten delovni čas znatno zmanjša.

Za zaščito upravljalca pred učinkom tresljajev uvedite dodatne zaščitne ukrepe npr.: Vzdrževanje električnega orodja in orodja, delo s toplimi rokami, organizacija delovnih potočkov.

⚠ OPOZORILO! Preberite vsa varnostna opozorila in navodila.

Napake zaradi neupoštevanja spodaj navedenih opozoril in napotil lahko povzročijo električni udar, požar in/ali težke telesne poškodbe.

Vsa opozorila in napotila shranite, ker jih boste v prihodnje še potrebovali.

⚠ VARNOSTNI NAPOTKI ZA VRVALNI STROJ

Kadar izvajate dela pri katerih lahko orodje zadane prikrito Nosite zaščito za sluh. Razvijanje hrupa lahko povzroči izgubo sluha.

Uporabite dodatne ročaje, ki so dobavljeni skupaj z napravo. Izguba kontrole lahko povzroči poškodbe.

električno napeljavajo, je napravo potrebno držati za izolirane prijemalne površine.

Stik z električnim vodnikom, ki je pod napetostjo, povzroči napetost tudi v kovinskih delih naprave, kar ima za posledico električni udar.

⚠ VARNOSTNI NAPOTKI ZA VRVALNIK

Kadar izvajate dela pri katerih lahko sveder zadane v prikrito električne vode, držite napravo za izolirane prijemalne površine. Stik svedra z električnim vodnikom lahko kovinske deli naprave spravi pod napetost in vodi do električnega udara.

NADALJNA VARNOSTNA IN DELOVNA OPOZORIILA

Uporabite zaščitno opremo. Pri delu s strojem vedno nosite zaščitna očala. Priporočajo se zaščitna oblačila, kot npr. maska za zaščito proti prahu, zaščitne rokavice, trdno in nedsreče obuvajo, čelada in zaščita za sluh.

Prah, ki nastaja pri delu, je pogosto zdravju škodljiv in naj ne zaide v telo. Nosite ustrezno masko proti prahu.

Obdelava materialov, iz katerih izhaja ogroženost zdravja (npr. azbest), ni dovoljena.

V primeru blokade orodja napravo takoj izklopite! Naprave ponovno ne vklapljajte dokler je orodje blokirano; pri tem bi lahko prišlo do povratnega udara z velikim reakcijskim momentom. Ugotovite in odpravite vzroke blokade orodja ob upoštevanju varnostnih navodil.

Možni razlogi so lahko:

- Zagozditev v obdelovancu
- prežganje obdelovanega materiala
- Preobremenitev električnega orodja

Ne segajte v stroj v teku.

Orodje lahko med uporabo postane vroče.

OPOZORILO! Nevarnost opeklin

- pri menjavi orodja
- pri odlaganju naprave

Trske ali iveri se pri tekočem stroju ne smejo odstranjevati.

Pri delih na steni, stropu ali v tleh pazite na električne kable, plinske in vodne napeljave.

Obdelovanec zavarujte z vpenjalno pripravo. Nezavarovani obdelovanci lahko povzročijo težke poškodbe in okvare.

Pred vsemi deli na stroji odstranite izmenljivi akumulator.

Izbrbljenih izmenljivih akumulatorjev ne mečite v ogenj ali v gospodinjstvo odpadke. Milwaukee nudi okolju prijazno odlaganje starih izmenljivih akumulatorjev; prosimo povprašajte vašega strokovnega trgovca.

Izmenljivih akumulatorjev ne hranite skupaj s kovinskimi predmeti (nevarnost kratkega stika).

Izmenjive akumulatorje sistema v polnite samo s polnilnimi aparati sistema M18. Ne polnite nobenih akumulatorjev iz drugih sistemov.

Izmenljivih akumulatorjev in polnilnih aparatov ne odpirajte in jih hranite samo v suhih prostorih. Zaščitite jih pred mokroto.

Pod ekstremno obremenitvijo ali ob ekstremni temperaturi iz poškodovanega izmenljivega akumulatorja lahko izteka akumulatorska tekočina. Po stiku z akumulatorsko tekočino prizadeto mesto takoj izperite z vodo in milom. Po stiku z očmi takoj najmanj 10 minut dolgo temeljito izpirajte in nemudoma obiščite zdravnika.

Opozorilo! V izogib, s kratkim stikom povzročene nevarnosti požara, poškodb ali okvar na proizvodu, orodja, izmenljivega akumulatorja ali polnilne naprave ne potapljajte v tekočine in poskrbite, da ne bo prihajalo do vdora tekočin v naprave in akumulatorje. Korozivne ali prevodne tekočine, kot so slana voda, določene kemikalije in beila ali proizvodi, ki le ta vsebujejo, lahko povzročijo kratek stik.

UPORABA V SKLADU Z NAMEDNOSTJO

M18 FDD: Akumulatorski vrtnik – izvijač je univerzalno uporaben za vrtnje in vijačenje neodvisno od omrežnega priključka.

M18 FPD: Akumulatorski elektronski vrtnik – izvijač je univerzalno uporaben za vrtnje, udarno vrtnje in vijačenje neodvisno od omrežnega priključka.

Ta naprava se sme uporabiti samo v skladu z namednostjo uporabiti samo za navedene namene.

CE-IZJAVA O KONFORMNOSTI

V lastni odgovornosti izjavljamo, da se pod "Tehnični podatki" opisan proizvod ujema z vsemi relevantnimi predpisi smernice 2011/65/EU (RoHS), 2014/30/EU, 2006/42/ES in s sledečimi harmoniziranimi normativnimi dokumenti:

EN 60745-1:2009 + A11:2010

EN 60745-2-1:2010

EN 60745-2-2:2010

EN 55014-1:2006 + A1:2009 + A2:2011

EN 55014-2:2015

EN 50581:2012

Winnenden, 2017-11-30



Alexander Krug
Managing Director

Pooblaščen za izdelavo spisov tehnične dokumentacije.

Techtronic Industries GmbH

Max-Eyth-Straße 10

71364 Winnenden

Germany



AKUMULATORJI

Izmenjive akumulatorje, ki jih daljši čas niste uporabljali, pred uporabo naknadno napolnite.

Temperatura nad 50°C zmanjšuje zmogljivost izmenljivega akumulatorja. Izogibajte se daljšemu segrevanju zaradi sončnih žarkov ali gretej.

Pazite, da ostanje priključni kontakti na polnilnem aparatu in izmenljivem akumulatorju čisti.

Za optimalno življenjsko dobo je akumulatorje potrebno po uporabi napolniti do konca.

Za čim daljšo življenjsko dobo naj se akumulatorji po napolnitvi vzamejo ven iz naprave za polnjenje.

Pri skladiščenju akumulatorjev dalj kot 30 dni: Akumulator skladiščiti pri 27°C in na suhem. Akumulator skladiščiti pri 30%-50% stanja polnjenja. Akumulator spet napolniti vsakih 6 mesecev.

ZAŠČITA PREOBREMENITVE AKUMULATORJA

V primeru preobremenitve akumulatorjev zaradi zelo visoke porabe toka, npr. ekstremno visokih vrtilnih momentov, zatika svedra, nenadne zaustavitve ali kratkega stika, električno orodje 2 sekundi brni in se samodejno izklopi.

Za ponoven vklop izpusite tipko stikala in nato znova vklopite.

Pod ekstremnimi obremenitvami se lahko akumulator močno segreje. V tem primeru se akumulator izklopi.

Za ponovno polnitev in aktiviranje akumulatorja ga je potrebno vstaviti v polnilce.

TRANSPORT LITIJ-IONSKIH AKUMULATORJEV

Litij-ionski akumulatorji so podvrženi zakonskim določbam transporta nevarnih snovi.

Transport teh akumulatorjev se mora izvajati upoštevajoč lokalne, nacionalne in mednarodne predpise in določbe.

- Potrošniki lahko te akumulatorje še nadalje transportirajo po cesti.
- Komercialni transport litij-ionskih akumulatorjev s strani špediterjskih podjetij je podvržen določbam transporta nevarnih snovi. Priprava odpreme in transporta se lahko vrši izključno s strani ustrezno izšolanih oseb. Celoten proces je potrebno strokovno spremljati.

Pri transportu akumulatorjev je potrebno upoštevati sledeče točke:

- V izogib kratkim stikom zagotovite, da bodo kontakti zaščiteni in izolirani.
- Bodite pozorni na to, da paket akumulatorja v notranjosti embalaže ne bo mogel zdrsniti.
- Poškodovanih ali iztekajočih akumulatorjev ni dovoljeno transportirati.

Za nadaljnja navodila se obrnite na vaše špediterstvo podjetje.

VZDRŽEVANJE

Uporabljajte samo Milwaukee pribor in Milwaukee nadomestne dele. Poskrbite, da sestavne dele, katerih zamenjava ni opisana, zamenjajte v Milwaukee servisni službi (upoštevajte brošuro Garancija/Naslovi servisnih služb).

Po potrebi je mogoče pri vašem servisnem mestu ali neposredno pri Techtronic Industries GmbH, Max-Eyth-Straße 10, 71364 Winnenden, Germany, naročiti eksplozijsko risbo naprave ob navedbi tipa stroja in na tablici navedene šestmestne številke.

SIMBOLI



POZOR! OPOZORILO! NEVARNO!



Pred vsemi deli na stroju izvlecite vtikač iz vtičnice.



Prosimo, da pred uporabo pozorno preberete to navodilo za uporabo.



Električnih naprav, baterij/akumulatorjev ni dovoljeno odstranjevati skupaj z gospodinjstvom odpadki. Električne naprave in akumulatorje je potrebno zbirati ločeno in za okolju prijazno odstranitev, oddati podjetju za reciklažo. Pri krajevnem uradu ali vašem strokovnem prodajalcu se pozanimajte glede reciklažnih dvorišč in zbirnih mest.



CE-znak



Nacionalna oznaka skladnosti Ukrajina



EurAsian oznaka o skladnosti.

TEHNIČKI PODACI	AKUMULATORSKA UDARNA BUŠILICA	M18 FDD	M18 FPD
Broj proizvodnje.....	4524 89 03.....	4524 79 03...	4524 79 03...
Bušenje-Ø u čelik.....	13 mm.....	13 mm.....	13 mm.....
Bušenje-Ø u drvo.....	45 mm.....	45 mm.....	45 mm.....
Bušenje-Ø u opeku i silikatnu opeku.....	13 mm.....	13 mm.....	13 mm.....
Vijci za drvo (bez prebušenja).....	10 mm.....	10 mm.....	10 mm.....
Broj okretaja praznog hoda u 1. brzini.....	0-550 min ⁻¹	0-550 min ⁻¹	0-550 min ⁻¹
Broj okretaja praznog hoda u 2. brzini.....	0-2000 min ⁻¹	0-2000 min ⁻¹	0-2000 min ⁻¹
Broj udaraca u 1. brzini.....	0-8800 min ⁻¹	0-8800 min ⁻¹	0-8800 min ⁻¹
Broj udaraca u 2. brzini.....	0-32000 min ⁻¹	0-32000 min ⁻¹	0-32000 min ⁻¹
Okretni moment *1 (5,0 Ah).....	135 Nm.....	135 Nm.....	135 Nm.....
Napon baterije za zamjenu.....	18 V.....	18 V.....	18 V.....
Područje stezne glave za stezanje svrdla.....	1,5-13 mm.....	1,5-13 mm.....	1,5-13 mm.....
Težina po EPTA-proceduri 01/2003 (2,0 Ah).....	2,3 kg.....	2,3 kg.....	2,3 kg.....
Težina po EPTA-proceduri 01/2003 (5,0 Ah).....	2,5 kg.....	2,5 kg.....	2,5 kg.....

Informacije o buci/vibracijama

Mjerne vrijednosti utvrđene odgovarajuće EN 60 745.

A-procjenjeni nivo pritiska zvuka aparata iznosi tipično

Nivo pritiska zvuka (Nesigurnost K=3dB(A))..... 74,5 dB (A)..... 99,9 dB (A)

Nivo učinka zvuka (Nesigurnost K=3dB(A))..... 85,5 dB (A)..... 110,9 dB (A)

Nositi zaštitu sluha!

Ukupne vrijednosti vibracije (Vektor suma tri smjera) su odmjerene odgovarajuće EN 60745

Vrijednost emisije vibracije a_w

Udarno bušenje u betonu..... 13,2 m/s²

Nesigurnost K=..... 1,5 m/s²

Bušenje metala..... 1,29 m/s²..... 1,29 m/s²

Nesigurnost K=..... 1,5 m/s²..... 1,5 m/s²

Vijčanje..... 1,33 m/s²..... 1,33 m/s²

Nesigurnost K=..... 1,5 m/s²..... 1,5 m/s²

*1 Mjereno po Milwaukee normi N 877318

UPOZORENIE

Ova u ovim uputama navedena razina titranja je bila izmjerena odgovarajuće jednom u EN 60745 normiranom mjernom postupku i može se upotrijebiti za usporedbu električnog alata međusobno. Ona je prikladna i za privremenu procjenu titrajnog opterećenja.

Navedena razina titranja reprezentira glavne primjene električnog alata. Ukoliko se električni alat upotrebljava u druge svrhe sa odstupajućim primijenjenim alatima ili nedovoljnim održavanjem, onda razina titranja može odstupati. To može titrajno opterećenje kroz cijeli period rada bitno povisiti.

Za točnu procjenu titrajnog opterećenja se moraju uzeti u obzir i vremena u kojima je uređaj isključen ili u kojima doduše radi, ali nije i stvarno u upotrebi. To može titrajno opterećenje bitno smanjiti za vrijeme cijelog radnog perioda.

Utvrđite dodatne sigurnosne mjere za zaštitu poslužioca protiv djelovanja titranja kao npr.: Održavanje električnih alata i upotrebljenih alata, održavanje topline ruku, organizacija i radne postupke.

⚠ UPOZORENJE! Pročitajte molimo sve sigurnosna upozorenja i upute. Ako se ne bi poštivala napomene o sigurnosti i upute to bi moglo uzrokovati strujni udar, požar i/ili teške ozljede.
Sačuvajte sve napomene o sigurnosti i upute za buduću primjenu.

⚠ SIGURNOSNE UPUTE ZA BUŠILICE

Nosite zaštitu za sluh. Djelovanje buke može dovesti do gubitka sluha.

Koristite dodatne drške koje su isporučene sa aparatom. Gubitak kontrole može prouzročiti povrede.

Držite spravu na izoliranim držačkim površinama kada izvodite radove kod kojih rezački alat može pogoditi skrivene vodove struje.

Kontaktom s vodovima pod naponom, pod napon će se staviti i metalni dijelovi uređaja, što može dovesti do električnog udara.

⚠ SIGURNOSNE UPUTE ZA ZAVRTAČ

Držite spravu na izoliranim držačkim površinama kada izvodite radove kod kojih rezački alat može pogoditi skrivene vodove struje. Kontakt rezačkog alata sa vodovima koji sprovode naponom može metalne dijelove sprave dovesti pod napon i tako dovesti do električnog udara.

OSTALE SIGURNOSNE I RADNE UPUTE

Upotrebljavati zaštitnu opremu. Kod radova sa strojem uvijek nositi zaštitne naočale. Preporučuje se zaštitna odjeća, kao zaštitna maska protiv prašine, zaštitne rukavice, čvrste i protiv klizanja sigurne cipele, šljem i zaštitu sluha.

Prašina koja nastaje prilikom rada je često nezdrava i ne bi smijela dospjeti u tijelo. Nositi prikladnu zaštitnu masku protiv prašine.

Ne smiju se obrađivati nikakvi materijali, od kojih prijeti opasnost po zdravlje (npr. azbest).

Kod blokiranja alata koji se upotrebljava uređaj molimo odmah isključiti! Uređaj nemojte ponovno uključiti za vrijeme dok je alat koji se upotrebljava blokiran; time može doći do povratnog udara sa visokim reakcijskim momentom. Pronađite i otklonite uzrok blokiranja alata koji se upotrebljava uz poštivanje sigurnosnih uputa.

Mogući uzroci tome mogu biti:

- Izobličavanje u izratku koji se obrađuje
- Probijanje materijala koji se obrađuje
- Preopterećenje električnog alata

Nemojte sezati u stroj koji radi.

Upotrebljeni alat se može za vrijeme korištenja zagrijati.

UPOZORENIE! Opasnost od opekotina

- kod promjene alata
- kod odlaganja uređaja

Piljevina ili iverje se za vrijeme rada stroja ne smiju odstranjivati.

Kod radova na zidu, stropu ili podu paziti na električne kablove kao i vodove plina i vode.

Osigurajte vaš izradak jednim steznim uređenjem. Neosigurani izradci mogu prouzročiti teške povrede i oštećenja.

Prije svih radova na stroju izvaditi bateriju za zamjenu.

Istrošene baterije za zamjenu ne bacati u vatru ili u kućno smeće.

Milwaukee nudi mogućnost uklanjanja starih baterija odgovarajuće okolini. Milwaukee nudi mogućnost uklanjanja starih baterija odgovarajuće okolini; upitajte molimo Vašeg stručnog trgovca.

Baterije za zamjenu ne čuvati skupa sa metalnim predmetima (opasnost od kratkog spoja).

Baterije sistema M18 puniti samo sa uređajem za punjenje sistema M18. Ne puniti baterije iz drugih sistema.

Baterije za zamjenu i uređaje za punjenje ne otvarati i čuvati ih samo u suhim prostorijama. Čuvati protiv vlage.

Pod ekstremnim opterećenjem ili ekstremne temperature može iz oštećenih baterija iscuriti baterijska tekućina. Kod dodira sa baterijskom tekućinom odmah isprati sa vodom i sapunom. Kod kontakta sa očima odmah najmanje 10 minuta temeljno isprati i odmah potražiti liječnika.

Upozorenje! Zbog izbjegavanja opasnosti od požara jednim kratkim spojem, opasnosti od ozljeda ili oštećenja proizvoda, alat, izmjenjivi akumulator ili napravu za punjenje ne uronjavati u tekućine i pobrinite se za to, da u uređaje ili akumulator ne prodiru nikakve tekućine. Korozirajuće ili vodljive tekućine kao slana voda, određene kemikalije i sredstva za bijeljenje ili proizvodi koji sadrže sredstva bijeljenja, mogu prouzročiti kratak spoj.

PROPIISNA UPOTREBA

M18 FDD: BOSE 12 STX, BOSE 14 STX, BOSE 18 STX: Baterijska bušilica-zavrtač je univerzalno upotrebljiva za bušenje i zavrtnje, neovisno o priključku na mrežu.

M18 FPD: Baterijska elektronska udarna bušilica-zavrtač su upotrebljivi univerzalno za bušenje, udarno bušenje i zavrtnje, neovisno o nekom priključku na mrežu.

Ovaj aparat se smije upotrijebiti samo u određene svrhe kao što je navedeno.

CE-IZJAVA KONFORMNOSTI

Izjavljujemo na osobnu odgovornost, da je proizvod opisan pod "Tehnički podaci", sukladan sa svim relevantnim propisima smjernice 2011/65/EU (RoHS), 2014/30/EU, 2006/42/EC i sa slijedećim harmoniziranim normativnim dokumentima:

EN 60745-1:2009 + A11:2010

EN 60745-2-1:2010

EN 60745-2-2:2010

EN 55014-1:2006 + A1:2009 + A2:2011

EN 55014-2:2015

EN 50581:2012

Winnenden, 2017-11-30



Alexander Krug
Managing Director



Ovlašten za formiranje tehničke dokumentacije.

Technicon Industries GmbH

Max-Eyth-Straße 10

71364 Winnenden

Germany

BATERIJE

Baterije koje duže vremena nisu korištene, prije upotrebe napuniti.

Temperatura od preko 50°C smanjuje učinak baterija. Duže zagrijavanje od strane sunca ili grijanja izbjeci.

Priključne kontakte na uređaju za punjenje i baterijama držati čistima.

Za optimalni vijek trajanja se akumulatori poslije upotrebe moraju sasvim napuniti.

Za što moguće duži vijek trajanja, akumulatori se nakon punjenja moraju odstraniti iz punjača.

Kod skladištenja akumulatora duže od 30 dana:

Akumulator skladištiti na suhom kod ca. 27°C.

Akumulator skladištiti kod ca. 30%-50% stanja punjenja.

Akumulator ponovno napuniti svakih 6 mjeseci.

ZAŠTITA OD PREOPTEREĆENJA AKUMULATORA

Kod preopterećenja akumulatora kroz visoku potrošnju struje, npr. ekstremno visoki okretni momenti, zaglavljenje svrdla, naglo zaustavljanje ili kratki spoj, elektroalat brui 2 sekunde dugo i isključuje se samostalno. Za ponovno uključivanje ispuštiti otopnac prekidača i zatim ponovno uključiti.

Pod ekstremnim opterećenjima se akumulator može jako zagrijati. U ovom slučaju se akumulator isključuje.

Akumulator zatim utaknuti u punjač kako bi se ovaj ponovno napunio i zatim aktivirao.

TRANSPORT LITIJSKIH IONSKIH BATERIJA

Litijske-ionske baterije spadaju pod zakonske odredbe u svezi transporta opasne robe.

Prijevoz ovih baterija mora uslijediti uz poštivanje lokalnih, nacionalnih i internacionalnih propisa i odredaba.

- Korisnici mogu bez ustručavanja ove baterije transportirati po cestama.
- Komerijalni transport litijsko-ionskih baterija od strane transportnih poduzeća spada pod odredbe o transportu opasne robe. Otpremničke priprave i transport smiju izvoditi isključivo odgovarajuće školovane osobe. Kompletni proces se mora pratiti na stručan način.

Kod transporta baterija se moraju poštivati slijedeće točke:

- Uvjerite se da su kontakti zaštićeni i izolirani kako bi se izbjegli kratki spojevi.
- Pazite na to, da blok baterija unutar pakiranja ne može proklizavati.
- Oštećene ili iscurjele baterije se ne smiju transportirati.

U svezi ostalih uputa obratite se vašem prijevoznom poduzeću.

ODRŽAVANJE

Primijeniti samo Milwaukee opremu i Milwaukee rezervne dijelove. Sastavne dijelove, čija zamjena nije opisana, dati zamijeniti kod jedne od Milwaukee servisnih službi (poštivati brošuru Garancija/Adrese servisa).

Po potrebi se crež pojedinih dijelova aparata uz navedenje podatka o tipu stroja i šestznamenastog broja na pločici snage može zatražiti kod vašeg servisa ili direktno kod Technicon Industries GmbH, Max-Eyth-Straße 10, 71364 Winnenden, Njemačka.

SIMBOLI



PAŽNJA! UPOZORENIE! OPASNOST!



Prije radova na stroju izvući utikač iz utičnice.



Molimo da pažljivo pročitate uputu o upotrebi prije puštanja u rad.



Elektrouredaji , baterije/akumulatori se ne smiju zbrinjivati skupa sa kućnim smećem. Električni uređajii akumulatori se moraju skupljati odvojeno i predati na zbrinjavanje primjereno okolišu jednom od pogona za iskorišćavanje. Raspitajte se kod mjесnih vlasti ili kod stručnog trgovca u svezi gospodarstva za recikliranje i mjesta skupljanja.



Oznaka-CE



Nacionalni znak konformnosti Ukrajina



EurAsian znak konformnosti.

TEHNISKIE DATI	AKUMULATORA SITAMĀIS URBIS	M18 FDD	M18 FPD
Izlaides numurs	4524 89 03.....	4524 89 03.....	4524 79 03.....
Urbšanas diametrs tēraudā000001-999999000001-999999000001-999999
Urbšanas diametrs kokā13 mm13 mm13 mm
Urbšanas diametrs kriegēļos un kaļksmiļšakmenī.....45 mm45 mm45 mm
Koka skrūves (bez iepriekšējās urbšanas)13 mm13 mm13 mm
Apgrīzieni tukšgaitā 1. ātrumā10 mm10 mm10 mm
Apgrīzieni tukšgaitā 2. ātrumā0-550 min ⁻¹0-550 min ⁻¹0-550 min ⁻¹
Sitienu biežums 1. ātrumā0-2000 min ⁻¹0-2000 min ⁻¹0-2000 min ⁻¹
Sitienu biežums 2. ātrumā0-8800 min ⁻¹0-8800 min ⁻¹0-8800 min ⁻¹
Griezes moments *1 (5,0 Ah)0-32000 min ⁻¹0-32000 min ⁻¹0-32000 min ⁻¹
Akumulatora spriegums135 Nm135 Nm135 Nm
Urbja stiprinājuma amplitūda18 V18 V18 V
Svars atbilstoši EPTA -Procedure 01/2003 (2,0 Ah)1,5-13 mm1,5-13 mm1,5-13 mm
Svars atbilstoši EPTA -Procedure 01/2003 (5,0 Ah)2,3 kg2,3 kg2,3 kg
2,5 kg2,5 kg2,5 kg

Trokšņu un vibrāciju informācija

Vērtības, kas noteiktas saskaņā ar EN 60 745.

Instrumenta tipiskais pēc A vērtētais trokšņa spiediena līmenis parasti sastāda

Trokšņa spiediena līmenis (Nedrošība K=3dB(A)) 74,5 dB (A) 99,9 dB (A)

Trokšņa jaudas līmenis (Nedrošība K=3dB(A)) 85,5 dB (A) 110,9 dB (A)

Nēsāt trokšņa slāpētāju!

Svārstību kopējā vērtība (Trīs virzienu vektoru summa) tiek noteikta

atbilstoši EN 60745.

svārstību emisijas vērtība a_h

Betona elektriskais urbis 13,2 m/s²

Nedrošība K= 1,5 m/s²

Metāla urbis 1,29 m/s² 1,29 m/s²

Nedrošība K= 1,5 m/s² 1,5 m/s²

Skrūvēšana 1,33 m/s² 1,33 m/s²

Nedrošība K= 1,5 m/s² 1,5 m/s²

*1 Mērīts saskaņā ar firmas Milwaukee normu N 877318

UZMANĪBU

Instrukcijā norādītā svārstību robežvērtība ir izmērīta mērījumu procesā, kas veikts atbilstoši standartam EN 60745, un to var izmantot elektroinstrumentu savstarpējai salīdzināšanai. Tā ir piemērota arī svārstību noslogojuma pagaidu izvērtēšanai.

Norādītā svārstību robežvērtība ir reprezentatīva elektroinstrumenta pamata pielietojuma jomām. Tomēr, ja elektroinstrumenti tiek pielietoti citās jomās, papildus izmantojot neatbilstošus elektroinstrumentus vai pēc nepietiekamas tehniskās apkopes, tad svārstību robežvērtība var atšķīrties. Tas var ievērojami palielināt svārstību noslogojumu visa darba laikā.

Precīzai svārstību noslogojuma noteikšanai, ir jāņem vērā arī laiks, kad ierīces ir izslēgtas vai arī ir ieslēgtas, tomēr faktiski netiek lietotas. Tas var ievērojami samazināt svārstību noslogojumu visa darba laikā.

Integrējiet papildus drošības pasākumus pret svārstību ietekmi lietotājam, piemēram: elektroinstrumentu un darba instrumentu tehniskā apkope, roku siltuma uzturešana, darba procesu organizācija.

BRĪDINĀJUMS! Izlasiet visus drošības brīdinājumus un instrukcijas.

Šeit sniegto drošības noteikumu un norādījumu neievērošana var izraisīt aizdegšanos un būt par cēloni elektriskajam triecienam vai nopietnam savainojumam. **Pēc izlasīšanas uzglabājiet šos noteikumus turpmākai izmantošanai.**

DRŌŠĪBAS NOSACĪJUMI LIETOJOT URBJMAŠĪNAS

Nēsājiet ausu aizsargus. Trokšņa iedarbības rezultātā var rasties dzirdes traucējumi.

Lietojiet instrumentam pievienotos papildus rokturus. Zaudējot kontroli, var gūt ievainojumus.

Leģi turiet aiz izolētiem rokturiem, ja veicat darbus, kuros griešanas darbiem izmantojamais instruments var skart paslēptus elektrovadus.

Asmenim saskaroties ar vadiem, kuriem tiek pievadīts fāzes spriegums, šis spriegums nonāk arī uz instrumenta korpusa strāvu vadošajām daļām un var izraisīt elektrisko triecienu.

DRŌŠĪBAS NOSACĪJUMI LIETOJOT SKRŪVGRĪEŽŅUS

Turiet ierīci aiz izolētajām turēšanas virsmām, veicot darbus, kur skrūve var skart apslēptus elektrības vadus. Skrūves kontakts ar spriegumu vadošu vadu var ierīces metāla daļas uzlādēt un novest pie elektriskās strāvas trieciena.

CĪTAS DRŌŠĪBAS UN DARBA INSTRUKCIJAS

Jāizmanto aizsargaprīkojums. Strādājot ar mašīnu, vienmēr jānēsā aizsargbrilles. Ieteicams nēsāt aizsargapģērbu, kā piemēram, aizsargmasku, aizsargcimdus, kurpes no stingra un neslīdīga materiāla, ķiveri un ausu aizsargus.

Putekļi, kas rodas darba gaitā, bieži ir kaitīgi veselībai un tiem nevajadzētu nokļūt organismā. Jānēsā piemērota maska, kas pasargā no putekļiem.

Nedrīkst apstrādāt materiālus, kas rada draudus veselībai (piemēram, asbestu).

Ja izmantojamais darba rīks tiek bloķēts, nekavējoties izslēgt ierīci! Neieslēdziet ierīci, kamēr izmantojamais darba rīks ir bloķēts; var rasties atslisens ar augstu griezes momentu. Noskaidrojiet un novērsiet izmantojamā darba rīka bloķēšanas iemeslu, ievērojot visas drošības norādes.

Iespējamie iemesli:

- iesprūdis apstrādājamajā materiālā
- apstrādājamais materiāls ir caursists
- elektroinstrumenti ir pārslogots

Leslēgtai ierīcei nepieskarties.

Izmantojamais darba rīks darba gaitā var stipri sakarst.

UZMANĪBU! Bīstamība apdedzināties

- veicot darba rīka nomainīšanu
- noliekot iekārtu

Skaidas un atļūzas nedrīkst ņemt ārā, kamēr mašīna darbojas.

Veicot darbus sienā, griestu un grīdas apvidū, vajag uzmanīties, lai nesabojātu elektriskos, gāzes un ūdens vadus.

Fiksējiet apstrādājamo materiālu ar fiksācijas aprīkojumu. Nenostiprināti materiāli var izraisīt smagus savainojumus un bojājumus.

Pirms mašīnai veikt jebkāda veida apkopes darbus, ir jāizmanto arī akumulātors.

Izmantotos akumulārus nedrīkst mest ugunī vai parastajos atkritumos. Firma Milwaukee piedāvā iespēju vecos akumulātorus savākt apkārtējo vidi saudzējošā veidā; jautājiet specializētā veikalā.

Akumulātorus nav ieteicams glabāt kopā ar metāla priekšmetiem (iespējams tīslīgums).

M18 sistēmas akumulātorus lādēt tikai ar M18 sistēmas lādētājiem. Nedrīkst lādēt citus akumulātorus no citām sistēmām.

Akumulātorus un lādētājus nedrīkst tāsīt vaļā un tie jāuzglabā sausās telpās.

Pie ārkārtas slodzes un ārkārtas temperatūrām no bojātā akumulātorā var izteot akumulātorā šķidrums. Ja nonākat saskarsmē ar akumulātorā šķidrumu, saskarsmes vieta nekavējoties jānomazgā ar ūdeni un ziepēm. Ja šķidrums nonācis acīs, acis vismaz 10 min. skalojot un nekavējoties konsultēties ar ārstu.

Brīdinājums! Lai izvairītos no savainojuma izraisītu aizdegšanās, savainojumu vai produkta bojājuma risku, neiegremdējiet instrumentu, maināmo akumulātoru vai uzlādes ierīci šķidrumos un rūpējieties par to, lai ierīcēs un akumulātoros neiekļūtu šķidrums. Koroziju izraisa arī vadītspējīgi šķidrumi, piemēram, sālsūdens, noteiktas ķīmikālijas, balinātāji vai produkti, kas satur balinātājus, var izraisīt savainojumu.

NOTEIKUMIEM ATBILSTOŠS IZMANTOJUMS

M18 FDD: Skrūvgrieznis - Urbjmašīna ar akumulātoriem ir universāli izmantojama urbšanai un skrūvēšanai neatkarīgi no tīkla pieslēguma.

M18 FPD: Elektroniskā triecienuurbjmašīna ar akumulātoriem ir universāli izmantojama urbšanai, urbšanai ar perforāciju un skrūvēšanai neatkarīgi no tīkla pieslēguma.

Šo instrumentu drīkst izmantot tikai saskaņā ar minētajiem lietošanas noteikumiem.

ATBILSTĪBA CE NORMĀM

Mēs apliecinām, ka produkts, kura tehniskie parametri aprakstīti "tehnisko datu lapā", pilnībā atbilst prasībām saskaņā ar direktīvām 2011/65/EU (RoHS), 2014/30/ES, 2006/42/EEK un attiecīgajiem harmonizētajiem normatīvajiem dokumentiem:

EN 60745-1:2009 + A1:2010

EN 60745-2-1:2010

EN 60745-2-2:2010

EN 55014-1:2006 + A1:2009 + A2:2011

EN 55014-2:2015

EN 50581:2012

Winnenden, 2017-11-30



Alexander Krug

Managing Director

Pilnvarotais tehniskās dokumentācijas sastādītājs.

Techtronic Industries GmbH

Max-Eyth-Strasse 10

71364 Winnenden

Germany

AKUMULĀTORI

Akumulātori, kas ilgāku laiku nav izmantoti, pirms lietošanas jāuzlādē.

Pie temperatūras, kas pārsniedz 50°C, akumulātoru darbspēja tiek negatīvi ietekmēta. Vajag izvairīties no ilgākas saules un karstuma iedarbības.

Lādētāja un akumulātoru pievienojuma kontakti jāuztur tīri.

Lai baterijām būtu optimāls mūžs, pēc lietošanas bateriju bloks pilnībā jāuzlādē.

Lai akumulātoru kalpotu pēc iespējas ilgāku laiku, tos pēc uzlādes ieteicams atvienot no lādētāj ierīces.

Akumulātoru uzglabāšana ilgāk kā 30 dienas: uzglabāt akumulātoru pie aptuveni 27° C un sausā vietā. Uzglabāt akumulātoru uzlādes stāvoklī aptuveni pie 30%-50%. Uzlādēt akumulātoru visus 6 mēnešus no jauna.

AKUMULATORA AIZSARDZĪBA PRET PĀRSLOGOJUMU

Akumulātoru pārslogojuma gadījumos, esot ļoti lielam elektroenerģijas patēriņam, piem., ārkārtīgi augsts griezes moments, urbja iekersšanās, pēkšņa apstāšanās vai īssavienojums, elektriskais darbarīks 2 sekundes ruc, un pats izslēdzas.

Lai to atkal ieslēgtu, atļaidiet ieslēgšanas pogu un tad to ieslēdziet no jauna.

Esot ārkārtīgi augstam noslogojumam, akumulātors var pēģīgi sakarst. Šādā gadījumā akumulātorus atslēdzas.

Akumulātoru var ievietot lādētājā, lai to atkal uzlādētu un aktivizētu.

LĪTIJA JONU AKUMULATORU TRANSPORTĒŠANA

Uz lītiņa jonu akumulātoriem attiecas noteikumi par bīstamo kravu pārvadāšanu.

Šo akumulātoru transportēšana jāveic saskaņā ar vietējiem, valsts un starptautiskajiem normatīvajiem aktiem un noteikumiem.

- Patērētāja darbības, pārvadājot šos akumulātorus pa autoceļiem, nav reglamentētas.
- Uz lītiņa jonu akumulātoru komerciālu transportēšanu, ko veic ekspedīcijas uzņēmums, attiecas bīstamo kravu pārvadāšanas noteikumi. Sagatavošanas darbus un transportēšanu drīkst veikt tikai atbilstoši apmācīts personāls. Viss process jāvada profesionāli.

Veicot akumulātoru transportēšanu, jāievēro:

- Pārliecinieties, ka kontakti ir aizsargāti un izolēti, lai izvairītos no īssavienojumiem.
- Pārliecinieties, ka akumulātors iepakojumā nevar paslīdēt.
- Bojātus vai tekošus akumulātorus nedrīkst transportēt.

Pilnāku informāciju Jūs varat saņemt no ekspedīcijas uzņēmuma.

APKOPE

Izmantojiet tikai firmu Milwaukee piederumus un firmas Milwaukee rezerves daļas. Ieciet nomainīt detaļas, kuru nomainā nav aprakstīta, kādā no firmu Milwaukee klientu apkalpošanas servisiem. (Skat. brošūru "Garantija/klientu apkalpošanas serviss".)

Pēc pieprasījuma, Jūsu Klientu apkalpošanas centrā vai pie Technotronic Industries GmbH, Max-Eyth-Strasse 10, 71364 Winnenden, Vācijā, ir iespējams saņemt iekārtas montāžas rasējumu, iepriekš norādot iekārtas modeli un sērijas numuru, kas atrodas uz datu plāksnītes un sastāv no sešiem simboliem.

SĪMBOLI



UZMANĪBU! BĪSTAMI!



Pirms jebkādiem darbiem, kas attiecas uz mašīnas apkopi, mašīnu noteikti vajag atvienot no kontaktlīdzdas.



Pirms sākt lietot instrumentu, lūdzu, izlasiet lietošanas pamācību.



Elektriskos aparātus, baterijas/akumulātorus nedrīkst utilizēt kopā ar mājāsaimniecības atkritumiem.

Elektriski aparāti un akumulātori ir jāsavāc atsevišķi un jānodod atkritumu pārstrādes uzņēmumā vai jēdod saudzīgai utilizācijai. Jautājiet vietējā iestādē vai savam specializētājam tirgotājam, kur atrodas atkritumu pārstrādes uzņēmumi vai savākšanas punkti.



CE marķējums



Ukrainas nacionālais atbilstības simbols



EurAsian atbilstības marķējums.

TECHNINIAI DUOMENYS / SMŪGINIS ATSUKTUVAJAS / GRAŽTAS SU AKUMULIATORIUMI	M18 FDD	M18 FPD
Produkto numeris	4524 89 03	4524 79 03
	...000001-999999	...000001-999999
Gręžimo ø plienė	13 mm	13 mm
Gręžimo ø medienoje	45 mm	45 mm
Gręžimo ø galvutė deglose ir silikatinėse plytose	13 mm	13 mm
Medvaržčiai (be išankstinio gręžimo)	10 mm	10 mm
Sūkių skaičius laisva eiga 1. pavara	0-550 min ⁻¹	0-550 min ⁻¹
Sūkių skaičius laisva eiga 2. pavara	0-2000 min ⁻¹	0-2000 min ⁻¹
Smūgių skaičius 1. pavara	0-8800 min ⁻¹	0-8800 min ⁻¹
Smūgių skaičius 2. pavara	0-32000 min ⁻¹	0-32000 min ⁻¹
Sukimo momentas *1 (5,0 Ah)	135 Nm	135 Nm
Keičiamo akumulatoriaus įtampa	18 V	18 V
Grąžo patrono veržimo diapazonas	1,5-13 mm	1,5-13 mm
Prietaiso svoris įvertintas pagal EPTA 2003/01 tyrimų metodiką (2,0 Ah)	2,3 kg	2,3 kg
Prietaiso svoris įvertintas pagal EPTA 2003/01 tyrimų metodiką (5,0 Ah)	2,5 kg	2,5 kg

Informacija apie triukšmą/vibraciją

Vertės matuotos pagal EN 60 745.

Prietaisui būdingas garso slėgio lygis, koreguotas pagal A dažnio charakteristiką,

Garso slėgio lygis (Paklaida K=3dB(A))	74,5 dB (A)	99,9 dB (A)
Garso galios lygis (Paklaida K=3dB(A))	85,5 dB (A)	110,9 dB (A)

Nešioti klausos apsaugines priemones!

Bendroji svyravimų reikšmė (trijų krypčių vektorių suma), nustatyta remiantis EN 60745.

Vibravimų emisijos reikšmė a_h

Betono perforavimas	13,2 m/s ²
Paklaida K=	1,5 m/s ²
Metalo gręžimas	1,29 m/s ²
Paklaida K=	1,5 m/s ²
Prisukimas varžtais	1,33 m/s ²
Paklaida K=	1,5 m/s ²

*1 Matuojant pagal „Milwaukee“ normą N 877318

DĖMESIO

Instrukcijoje nurodyta svyravimų ribinė vertė yra išmatuota remiantis standartu EN 60745; ji gali būti naudojama keliems elektriniams instrumentams palyginti. Ji taikoma ir laikinai įvertinti svyravimų apkrovą.

Nurodyta svyravimų ribinė vertė yra taikoma pagrindinėse elektrinio instrumento naudojimo srityse. Svyravimų ribinė vertė gali skirtis naudojant elektrinį instrumentą kitose srityse, papildomai naudojant netinkamus elektrinius instrumentus arba juos nepakankamai techniškai prižiūrint. Dėl to viso darbo metu gali žymiai padidėti svyravimų apkrova.

Siekiant tiksliai nustatyti svyravimų apkrovą, būtina atsižvelgti ir į laikotarpį, kai įrenginys yra išjungtas arba įjungtas, tačiau faktiškai nenaudojamas. Dėl to viso darbo metu gali žymiai sumažėti svyravimų apkrova.

Siekiant apsaugoti vartotojų nuo svyravimo įtakos naudojamos papildomos saugos priemonės, pavyzdžiui, elektrinių darbo instrumentų techninė priežiūra, rankų šilumos palaikymas, darbo procesų organizavimas.

⚠️ ĮSPĖJIMAS! Perskaitykite visus saugos nurodymus ir instrukcijas. Jei nepaisysite žemiau pateiktų saugos nuorodų ir reikalavimų, gali trenkti elektros smūgis, kilti gaisras ir/arba galite sunkiai susižaloti arba sužaloti kitus asmenis. **Išsaugokite šias saugos nuordas ir reikalavimus, kad ir ateityje galėtumėte jais pasinaudoti.**

⚠️ GRAŽTAMS SKIRTI SAUGUMO NURODYMAI

Nešioti klausos apsaugos priemones. Triukšmo poveikyje galima netekti klausos.

Naudokite į prietaiso komplektaciją įeinančias papildomas rankenas. Nesuvaldžius prietaiso galima susižeisti.

Dirbdami laikykite prietaisą už izoliuotų vietų, kuriose pjovimo įrenginys pats galėtų liesti pasieptus laidus. Dėl kontakto su laidininku, kuriuo teka elektros srovė, metalinėse prietaiso dalyse atsiranda atampa ir naudotojas gali gauti elektros smūgą.

⚠️ SUKTUVAMS SKIRTI SAUGUMO NURODYMAI

Prietaisą laikykite ant izoliuoto guminio paviršiaus, jei atliekate darbus, kurių metu sraigtas gali pasiekti sulenktas srovės tiekimo linijas. Sraigčiai prisilietus prie įtampą tiekiančių linijų gali įsikrauti prietaiso dalys ir įvykti elektros smūgis.

KITI SAUGUMO IR DARBO NURODYMAI

Dėvėkite apsaugines priemones. Dirbdami su mašina visada užsidėkite apsauginius akinius. Rekomenduotina dėvėti apsaugines priemones: apsaugos nuo dulkių respiratorius, apsaugines pirštines, kietus batus neslidžiais padais, šalną ir klausos apsaugos priemones.

Darbo metu susidaranti dulkės yra dažnai kenksmingos sveikatai ir todėl turėtų nepatekti į organizmą. Dėvėti tinkamą apsauginę kaukę nuo dulkių.

Negalima apdirbti medžiagų, dėl kurių gali būti sveikatos pažeidimai (pvz., asbesto).

Blokuojant įstatomąjį įrankį būtina išjungti prietaisą! Neįjunkite prietaiso, kol įstatomasis įrankis yra užblokuotas; galimas grįžtamasis smūgis su dideliu sukimo momentu. Atsižvelgdami į saugumo nurodymus, nustatykite ir pašalinkite įstatomojo įrankio blokavimo priežastį.

- Galimos priežastys:
- Susidariusios apdirbimo ruošinio briaunos
 - Apdirbamos medžiagos pratrūkimas
 - Elektros įrankio perkrova

Nekiskite rankų į veikiančią mašiną.

Naudojamas įstatomasis įrankis gali įkaisti.

DĖMESIO! Pavojus nusidegini

- keičiant įrankį
- padedant prietaisą

Draudžiama išiminti drožles ar nuopjovas, įrenginiui veikiant.

Dirbdami sienoje, lubose arba grindyse, atkreipkite dėmesį į elektros laidus, dujų ir vandens vamzdžius.

Ruošinį užfiksuokite įtempimo įrenginiu. Neufiksuoti ruošiniai gali sunkiai sužaloti ir būti pažeidimų priežastimi.

Prieš atlikdami bet kokius darbus įrenginyje, išimkite keičiamą akumulatorių.

Sunaudotų keičiamų akumulatorių nedeginkite ir nemeskite į buitines atliekas. „Milwaukee“ siūlo tausojantį aplinką sudėvėtų keičiamų akumulatorių tvarkymą, apie tai prekybos atstovo.

Keičiamų akumulatorių nelaikykite kartu su metaliniais daiktais (trumpojo jungimo pavojus).

Keičiamus M18 sistemos akumulatorius kraukite tik „M18“ sistemos įkrovikliais. Nekraukite kitų sistemų akumulatorių.

Keičiamų akumulatorių ir įkroviklių nelaikykite atvirai. Laikykite tik sausoje vietoje. Saugokite nuo drėgmės.

Ekstremalių apkrovų arba ekstremalios temperatūros poveikyje iš keičiamų akumulatorių gali ištekėti akumulatoriaus skystis. Išsitiesus akumulatoriaus skysčiu, tuoj pat nuplaukite vandeniu su muilu. Patekus į akis, tuoj pat ne trumpiau kaip 10 minučių gausiai skalaukite vandeniu ir tuoj pat kreipkitės į gydytoją.

Įspėjimas! Siekdami išvengti trumpojo jungimo sukeliama gaisro pavojaus, sužalojimų arba produkto pažeidimų, nekiskite įrankio, keičiamo akumulatoriaus arba įkroviklio į skysčius ir pasirūpinkite, kad į prietaisus arba akumulatorius nepatektų jokių skysčių. Koroziją sukeliantys arba laidūs skysčiai, pvz., sūrus vanduo, tam tikri chemikalai ir balikaliai arba produktai, kurių sudėtyje yra baliklių, gali sukelti trumpąjį jungimą.

NAUDOJIMAS PAGAL PASKIRTĮ

M18 FDD: Akumulatorinį suktuvą-gręžtuvą galima universaliai naudoti gręžimui ir sukimui nepriklausomai nuo elektros tinklo.

M18 FPD: Akumulatorinį smūginį suktuvą-gręžtuvą galima universaliai naudoti gręžimui, smūginiam gręžimui ir sukimui nepriklausomai nuo elektros tinklo.

Šį prietaisą leidžiama naudoti tik pagal nurodytą paskirtį.

CE ATITIKTIES PAREIŠKIMAS

Remiantis bendrais atsakomybės reikalavimais pareiškiami, jog skyriuje „Techniniai duomenys“ aprašytas produktas atitinka visus toliau pateiktų juridinių direktyvų reikalavimus: 2011/65/EU (RoHS), 2014/30/ES, 2006/42/EB ir kitus su jomis susijusius norminius dokumentus:

EN 60745-1:2009 + A1:2010
EN 60745-2-1:2010
EN 60745-2-2:2010
EN 55014-1:2006 + A1:2009 + A2:2011
EN 55014-2:2015
EN 50581:2012

Winnenden, 2017-11-30

Alexander Krug

Alexander Krug
Managing Director



Įgaliotas parengti techninius dokumentus.

Techtronic Industries GmbH
Max-Eyth-Straße 10
71364 Winnenden
Germany

AKUMULIATORIAI

Ilgesnį laiką nenaudotus keičiamus akumulatorius prieš naudojimą įkraukite.

Aukštesnė nei 50°C temperatūra mažina keičiamų akumulatorių galią. Venkite ilgesnio saulės ar šilumos šaltinių poveikio.

Įkroviklio ir keičiamo akumulatoriaus jungiamieji kontaktai visada turi būti švarūs.

Pasinaudoję prietaisu, visiškai įkraukite akumulatorių, kad prietaisais veiktų optimaliai ilgai.

Siekiant užtikrinti kuo ilgesnį baterijos tarnavimo laiką, reikėtų ją po atliko įkrovimo iškart išimti iš įkroviklio.

Bateriją laikant ilgiau nei 30 dienų, būtina atkreipti dėmesį į šias nuordas: bateriją laikyti sausoje aplinkoje, esant apie 27 °C temperatūrai. Baterijos įkrovimo lygis turi būti nuo 30% iki 50%. Baterija pakartotinai turi būti įkraunama kas 6 mėnesius.

APSAUGA NUO AKUMULIATORIAUS PERKROVOS

Perkrovus akumulatorių dėl itin didelės vartojamos srovės, pvz.: labai didelių apsakų, staigaus stabdymo, trumpo sujungimo ar užsikirtus grąžtui, elektrinis įrankis veikia dar 2 sekundes ir išsijungia automatiškai.

Norint iš naujo įjungti įrankį, reikia atleisti mygtuką ir jį dar kartą įjungti. Dėl ekstremalių apkrovų akumulatorius gali labai stipriai įkaisti. Tokiu atveju jis išsijungia.

Tada akumulatorių reikia įkisti į kroviklį, kad jis įsikrautų ir veiktų.

LIČIO JONŲ AKUMULIATORIŲ PERVEŽIMAS

Ličio jonų akumulatoriams taikomos įstatyminės nuostatos dėl pavojingų krovinių pervežimo.

Šiuos akumulatorius pervežti būtina laikantis vietinių, nacionalinių ir tarptautinių direktyvų ir nuostatų.

- Naudotojai šiuos akumulatorius gali naudoti savo transporte be jokių kitų sąlygų.
- Už komercinį ličio jonų akumulatorių pervežimą atsako ekspedicijos įmonė pagal nuostatas dėl pavojingų krovinių pervežimo. Pasiruošimo išsiųsti ir pervežimo darbus gali atlikti tik atitinkamai išmokyti asmenys. Visas procesas privalo būti prižiūrimas.

Pervežant akumulatorius būtina laikytis šių punktų:

- Siekiant išvengti trumpųjų jungimų, įsitikinkite, kad kontaktai yra apsaugoti ir izoliuoti.
- Atkreipkite dėmesį, kad akumulatorius pakuočės viduje nesididintų.
- Draudžiama pervežti pažeistus arba tekančius akumulatorius.

Dėl detalesnių nurodymų kreipkitės į savo ekspedicijos įmonę.

TECHNINIS APTARNAVIMAS

Naudokite tik „Milwaukee“ priedus ir „Milwaukee“ atsargines dalis. Dalis, kurių keitimas neaprašytas, leidžiama keisti tik „Milwaukee“ klientų aptarnavimo skyriams (žr. garantiją/klientų aptarnavimo skyrių adresus brošiūroje).

Esant poreikiui, nurodžius mašinos modelį ir šešiaženklį numerį, esantį ant specifikacijų lentelės, klientų aptarnavimo centre arba tiesiogiai „Techtronic Industries GmbH“, Max-Eyth-Str. 10, 71364 Winnenden, Vokietija, galite užsakyti išplėstinį prietaiso brėžinį.

SIMBOLIAI



DĖMESIO! ĮSPĖJIMAS! PAVOJUS!



Prieš atlikdami bet kokius įrenginyje, ištraukite iš lizdo kištuką.



Prieš pradėdami dirbti su prietaisu, atidžiai perskaitykite jo naudojimo instrukciją.



Elektros prietaisų, baterijų/akumulatorių šalinti kartu su buitinėmis atliekomis negalima. Elektros prietaisus ir akumulatorius reikia surinkti atskirai ir atiduoti perdirbimo įmonei, kad būtų pašalinti aplinkai saugiu būdu. Vietos valdžios institucijose arba specializuotose prekybos vietose pasidomėkite apie perdirbimo ir surinkimo centrus.



CE ženklas



Nacionalinė atitikties žyma Ukrainoje



„EurAsian“ atitikties ženklas.

TEHNILISED ANDMED	JUHTMETA LÖÖKPUUR	M18 FDD	M18 FPD
Tootmisnumber	4524 89 03	4524 79 03	4524 79 03
Puurimislabimõõt terases000001-999999000001-999999000001-999999
Puuri ø puidus	13 mm	13 mm	13 mm
Puuri ø tellistes ja silikaatkivides	45 mm	45 mm	45 mm
Puidukruvid (eelpuurimiseta)	10 mm	10 mm	10 mm
Pöörlemiskiirus tühijooksul 1. käigul	0-550 min ⁻¹	0-550 min ⁻¹	0-550 min ⁻¹
Pöörlemiskiirus tühijooksul 2. käigul	0-2000 min ⁻¹	0-2000 min ⁻¹	0-2000 min ⁻¹
Löökide arv 1. käigul	0-8800 min ⁻¹	0-8800 min ⁻¹	0-8800 min ⁻¹
Löökide arv 2. käigul	0-32000 min ⁻¹	0-32000 min ⁻¹	0-32000 min ⁻¹
Pöördemoment *1 (5,0 Ah)	135 Nm	135 Nm	135 Nm
Vahetatava aku pingeline	18 V	18 V	18 V
Puuri padruni pingutusvahemik	1,5-13 mm	1,5-13 mm	1,5-13 mm
Kaal vastavalt EPTA-protseduurile 01/2003 (2,0 Ah)	2,3 kg	2,3 kg	2,3 kg
Kaal vastavalt EPTA-protseduurile 01/2003 (5,0 Ah)	2,5 kg	2,5 kg	2,5 kg

Müra/vibratsiooni andmed

Mõõteväärtused on kindlaks tehtud vastavalt normile EN 60 745.

Seadme A-filtriga hinnatud helirõhutase on tüüpiliselt

Helirõhutase (Määramatus K=3dB(A)) 74,5 dB (A) 99,9 dB (A)

Helivõimsuse tase (Määramatus K=3dB(A)) 85,5 dB (A) 110,9 dB (A)

Kandke kaitseks kõrvaklappe!

Vibratsiooni koguväärtus (kolme suuna vektorsumma) mõõdetud EN 60745 järgi.

Vibratsiooni emissiooni väärtus a_w

Betooni löökpuurimine..... - 13,2 m/s²

Määramatus K=..... 1,5 m/s²

Metalli puurimine 1,29 m/s² 1,29 m/s²

Määramatus K=..... 1,5 m/s² 1,5 m/s²

Kruvimine 1,33 m/s² 1,33 m/s²

Määramatus K=..... 1,5 m/s² 1,5 m/s²

*1 Mõõdetud vastavalt Milwaukee normile N 877318

TÄHELEPANU

Antud juhendis toodud võnketase on mõõdetud EN 60745 standardile vastava mõtesüsteemiga ning seda võib kasutada erinevate elektriseadmete omavahelises võrdlemises. Antud näitaja sobib ka esmaseks võnkekoormuse hindamiseks.

Antud võnketase kehtib elektriseadme kasutamisel sihtotstarbeliselt. Kui elektriseadet kasutatakse muudel otstarvetel, muude tööriistadega või seda ei hooldata piisavalt võib võnketase siintoodust erineda. Eeltoodu võib võnketaset märkimisväärselt tõsta terves töökeskkonnas.

Võnketaseme täpseks hindamiseks tuleks arvestada ka aega, mil seade on välja lülitatud või on küll sisse lülitatud, kuid ei ole otseselt kasutuses.

See võib märgatavalt vähendada kogu töökeskkonna võnketaset.

Rakendage spetsiaalseid ettevaatusabinõusid töötajate suhtes, kes puutuvad töö käigus palju kokku vibratsiooniga. Nendeks abinõudeks võivad olla, näiteks: elektri- ja tööseadmete korraline hooldus, käte soojustamine, töövoo parem organiseerimine.

⚠ HOIATUS! Lugege kõiki ohutusjuhiseid ja korraldusi.

Ohutusnõuete ja juhiste eiramise tagajärjeks võib olla elektrilööki, tulekahju ja/või rasked vigastused.

Hoidke kõik ohutusnõuded ja juhised edasiseks kasutamiseks hoolikalt alles.

⚠ PUURMASINATE OHUTUSJUHISED

Kandke kaitseks kõrvaklappe. Müra mõju võib kutsuda esile kuulmise kaotuse.

Kasutage seadme koos tarnitud lisakäepidemed. Kontrolli kaotamine võib põhjustada vigastusi.

Tööde puhul, kus löikeseade võib minna vastu peidetud elektrijuheteid, hoidke kinni seadme isoleeritud käepidemest.

Kokkupuude pingeline all oleva juhtmega võib seada seadme enda metallosad pingeline alla ja põhjustada elektrilööki.

⚠ KRUVITSATE OHUTUSJUHISED

Hoidke käed seadme isoleeritud käepidemel, kui Te teostate töid, mille juures kruvi võib sattuda varjatud voolujuhtmetele.

Kruvi kontakt pinget juhtiva juhtmega võib panna metallist seadme osad pingeline alla ja põhjustada elektrilööki.

EDASISED OHUTUS- JA TÖÖJUHISED

Kasutada kaitsevarustust. Masinaga töötamisel kanda alati kaitseprille.

Kaitseriietusena soovitatatakse kasutada tolmumaski kaitsekindaid, kinniseid ja libisemisvastase tallaga jalanõusid, kiivrit ja kuulmisteede kaitset.

Töö ajal tekkiv tolm on sageli tervistkahjustav ning ei tohiks sattuda organismi. Kanda sobivat kaitsemaski.

Töödelda ei tohi materjale, millest lähtub oht tervisele (nt asbest).

Palun lülitage seade rakendustööriista blokeerimise korral kohe välja!

Ärge lülitage seadet sisse tagasi, kuni rakendustööriist on blokeeritud; seejuures võib kõrge reaktsioonimomendiga tagasilööki tekkida. Tehke ohutusjuhiseid arvesse võttes kindlaks ja kõrvaldage rakendustööriista blokeerimise põhjus.

Selle võimalikeks põhjusteks võivad olla:

- viltu asetumine töödeldavas toorikus

- töödeldava materjali läbimurdumine

- elektritööriista ülekoormamine

Ärge sisestage jäsemeid töötavasse masinasse.

Rakendustööriist võib kasutamise ajal kuumaks minna.

TÄHELEPANU! Põletusohu

- tööriista vahetamisel

- seadme ärapanemisel

Puru ega pilpaid ei tohi eemaldada masina töötamise ajal.

Seina, lae või põranda tööde puhul pidage silmas elektrijuhtmeid, gaasi- ja veetorusid.

Kinnitage toorik kinnipingutusseadise. Kinnitamata toorikud võivad raskeid vigastusi ja kahjustusi põhjustada.

Enne kõiki töid masina kallal võtke vahetatav aku välja.

Ärge visake tarvitatud vahetatavaid akusid tulle ega olmeprügisse.

Milwaukee pakub vanade akude keskkonnahoidlikku käitlust; palun küsige oma erialaselt tarnijalt.

Ärge säilitage vahetatavaid akusid koos metallesemetega (lühiseoht).

Laadige süsteemi M18 vahetatavaid akusid ainult süsteemi M18 laadijatega. Ärge laadige nendega teiste süsteemide akusid.

Ärge avage vahetatavaid akusid ega laadijaid ning ladustage neid ainult kuivades ruumides. Kaitse niiskuse eest.

Äärmuslikul koormusel või äärmuslikul temperatuuril võib kahjustatud vahetatavast akust akudevellik välja voolata. Akudevellikuga kokkupuutumise korral peske kohe vee ja seebiga. Silma sattumise korral loputage kiiresti põhjalikult vähemalt 10 minutit ning pöörduge viivitamatult arsti poole.

Hoiatus! Lühisest põhjustatud tuleohtu, vigastuste või toote kahjustuste vältimiseks ärge kasutage tööriista, vahetusakut ega laadimisest vedelikku ning jälgige, et vedelikke ei tungiks seadmesse ega akusse. Korrodeeruvad või elektrit juhtivad vedelikud, nagu soolvesi, teatud kemikaalid ja pleegitusained või pleegitusaineid sisaldavad tooted, võivad põhjustada lühisid.

KASUTAMINE VASTAVALT OTSTARBELE

M18 FDD: akutrell-kruvikeerajat saab sõltumata võrguühendusest universaalselt rakendada puurimiseks ja kruvide keeramiseks.

M18 FPD: Elektroonilist akulööktrell-kruvikeerajat saab sõltumata võrguühendusest universaalselt rakendada puurimiseks, löökpuurimiseks ja kruvide keeramiseks.

Antud seadet tohib kasutada ainult vastavalt äranäidatud otstarbele.

EÜ VASTAVUSVALDUS

Me deklareerime ainuiskuliselt vastutades, et lõigus "Tehnilised andmed" kirjeldatud toode vastab direktiivide 2011/65/EU (RoHS), 2014/30/EU, 2006/42/EU kõigile olulisele tähtsusega eeskirjadele ning järgmistele harmoneiseeritud normatiivsetele dokumentidele:

EN 60745-1:2009 + A11:2010

EN 60745-2-1:2010

EN 60745-2-2:2010

EN 55014-1:2006 + A1:2009 + A2:2011

EN 55014-2:2015

EN 50581:2012

Winnenden, 2017-11-30



Alexander Krug

Managing Director

On volitatud koostama tehnilist dokumentatsiooni.

Techtronic Industries GmbH

Max-Eyth-Straße 10

71364 Winnenden

Germany

AKUD

Pikemat aega mittekasutatud akusid laadige veel enne kasutamist.

Temperatuur üle 50 °C vähendab vahetatava aku töövõimet. Vältige pikemat soojenemist päikese või kiirguse seadme mõjul.

Hoidke laadija ja vahetatava aku ühenduskontaktid puhtad.

Patreide optimaalse eluea tagamiseks, pärast kasutamist täielikult lae pateride plokki.

Akud tuleks võimalikult pika kasutusea saavutamiseks pärast täislaadimist laadijast välja võtta.

Aku ladustamisel üle 30 päeva:

Ladustage akut kuivas kohas u 27°C juures.

Ladustage akut u 30-50% laetusesundis.

Laadige aku iga 6 kuu tagant täis.

AKU KOORMUSKAITSE

Aku ülekoormamisel kõrge voolutarbimisega, nt puuri blokeerumisel, äkilisel seiskumisel või lühise tekkimisel, vibreerib elektritööriist 2 sekundit ning seejärel lülitub automaatselt välja.

Uuesti sisse lülitamiseks tuleb päästik esmalt vabastada ning seejärel uuesti alla suruda.

Ülisuurel koormusel võib aku kuumeneda kõrgete temperatuurideni.

Sellisel juhul lülitub aku välja.

Aku tuleb laadimiseks ja taasaktiveerimiseks sisestada laadimisestadesse.

LIITUMIOONAKUDE TRANSPORTIMINE

Liitumioonakud on allutatud ohtlike ainete transportimisega seonduvatele õigusaktidele.

Nende akude transportimine peab toimuma kohalikest, sidetriklikest ja rahvusvahelistest eeskirjadest ning määrustest kinni pidades.

- Tarbijad tohivad neid akusid edasiste piiranguteta tänaval transportida.

- Liitumioonakude komertstransport ekspedeerimissettevõtete kaudu on allutatud ohtlike ainete transportimisega seonduvatele õigusaktidele. Tarne-ettevalmistusi ja transporti tohivad teostada eranditult vastavalt koolitatud isikud. Kogu protsessi tuleb asjatundlikult jälgida.

Akude transportimisel tuleb järgida järgmisi punkte:

- Tehke kindlaks, et kontaktid on lühiste vältimiseks kaitstud ja isoleeritud.

- Pöörake tähelepanu sellele, et akupakk ei saaks pakendis nihkuda.

- Kahjustatud või välja voolanud akusid ei tohi kasutada.

Pöörduge edasiste juhiste saamiseks ekspedeerimissetvõtte poole.

HOOLDUS

Kasutage ainult Milwaukee tarvikuid ja Milwaukee tagavaraosi.

Detailid, mille väljavahetamist pole kirjeldatud, laske välja vahetada Milwaukee klienditeeninduspunktis (vaadake brošüüri garantii / klienditeeninduste aadressid).

Vajadusel saab nõuda seadme plahvatusjoonise võimsussildil oleva masinatüübi ja kuuekohalise numbrilise alusel klienditeeninduspunkti või vahetult firmalt Techtronic Industries GmbH, Max-Eyth-Straße 10, 71364 Winnenden, Germany.

SÜMBOLID



ETTEVAATUST! TÄHELEPANU! OHUD!



Enne kõiki töid masina kallal tõmmake pistik pistikupesast välja.



Palun lugege enne käiklaskmist kasutamishand hoolikalt läbi.



Elektriseadmeid, patareisiid/akusid ei tohi utiliseerida koos majapidamisprügiga.

Elektriseadmed ja akud tuleb eraldi kokku koguda ning kõrvaldada keskkonnasõbralikul moel töötlemiskeskusesse.

Küsi info jäätmekäitlusjaamade ja kogumispunktide kohta oma kohalike ametnike või edasimüüja käest.



CE-märk



Ukraina riiklik vastavusmärk



Euraasia vastavusmärk.

ТЕХНИЧЕСКИЕ ДАННЫЕ АКК. УДАРНАЯ ДРЕЛЬ/ШУРУПОВЕРТ	M18 FDD	M18 FPD
Серийный номер изделия	4524 89 03	4524 79 03
Производительность сверления в стали	000001-999999	000001-999999
Производительность сверления в дереве	13 mm	13 mm
Производительность сверления в кирпич и кафель	45 mm	45 mm
Шурупы для дерева (без предварительного засверливания)	13 mm	13 mm
Число оборотов без нагрузки (об/мин) 1-ая передача	10 mm	10 mm
Число оборотов без нагрузки (об/мин) 2-я скорость	0-550 min ⁻¹	0-550 min ⁻¹
Количество ударов в минуту 1-ая передача	0-2000 min ⁻¹	0-2000 min ⁻¹
Количество ударов в минуту 2-я скорость	0-8800 min ⁻¹	0-8800 min ⁻¹
Момент затяжки *1 (5,0 Ah)	0-32000 min ⁻¹	0-32000 min ⁻¹
Вольтаж аккумулятора	135 Nm	135 Nm
Диапазон раскрытия патрона	18 V	18 V
Вес согласно процедуре EPTA 01/2003 (2,0 Ah)	1,5-13 mm	1,5-13 mm
Вес согласно процедуре EPTA 01/2003 (5,0 Ah)	2,3 kg	2,3 kg
	2,5 kg	2,5 kg

Информация по шумам/вибрации
 Значения замерялись в соответствии со стандартом EN 60745. Обычное низкочастотное звуковое давление, производимое инструментом, составляет
 Уровень звукового давления (Небезопасность K=3dB(A)) 74,5 dB (A) 99,9 dB (A)
 Уровень звуковой мощности (Небезопасность K=3dB(A)) 85,5 dB (A) 110,9 dB (A)

Пользуйтесь приспособлениями для защиты слуха.
 Общие значения вибрации (векторная сумма трех направлений) определены в соответствии с EN 60745.
 Значение вибрационной эмиссии a_h
 Ударное сверление в бетоне 13,2 m/s²
 Небезопасность K= 1,5 m/s²
 Сверление в металле 1,29 m/s² 1,29 m/s²
 Небезопасность K= 1,5 m/s² 1,5 m/s²
 Завинчивание 1,33 m/s² 1,33 m/s²
 Небезопасность K= 1,5 m/s² 1,5 m/s²
 *1 Измерения согласно нормативам Milwaukee № 877318

ВНИМАНИЕ
 Указанный в настоящем руководстве уровень вибрации измерен в соответствии с технологией измерения, установленной стандартом EN 60745 и может использоваться для сравнения электроинструментов друг с другом. Он также подходит для предварительной оценки вибрационной нагрузки.

Указанный уровень вибрации представляет основные виды использования электроинструмента. Но если электроинструмент используется для других целей, используемый инструмент отклоняется от указанного или техническое обслуживание было недостаточным, то уровень вибрации может отклоняться от указанного. В этом случае вибрационная нагрузка в течение всего периода работы значительно увеличивается.

Для точной оценки вибрационной нагрузки необходимо также учитывать время, в течение которого прибор отключен или включен, но фактически не используется. В этом случае вибрационная нагрузка в течение всего периода работы может существенно уменьшиться.

Установите дополнительные меры безопасности для защиты пользователя от воздействия вибрации, например: техническое обслуживание электроинструмента и используемого инструмента, поддержание рук в теплом состоянии, организация рабочих процессов.

⚠ ПРЕДУПРЕЖДЕНИЕ! Прочтите все указания по безопасности и инструкции. Упущения, допущенные при соблюдении указаний и инструкций по технике безопасности, могут стать причиной электрического поражения, пожара и тяжелых травм.
Сохраняйте эти инструкции и указания для будущего использования.

⚠ УКАЗАНИЯ ПО ТЕХНИКЕ БЕЗОПАСНОСТИ ДЛЯ ДРЕЛЕЙ
Используйте наушники! Воздействие шума может привести к потере слуха.
Используйте вспомогательные рукоятки, поставляемые вместе с инструментом. Потеря контроля может стать причиной травмы.

Если Вы выполняете работы, при которых режущий инструмент может зацепить скрытую электропроводку кабель, инструмент следует держать за специально предназначенные для этого изолированные поверхности. Контакт с ведущими напряжениями проводами ставит металлические части прибора под напряжение и ведет к поражению электротоком.

⚠ УКАЗАНИЯ ПО ТЕХНИКЕ БЕЗОПАСНОСТИ ДЛЯ ШУРУПОВЕРТОВ
Если Вы выполняете работы, при которых болт может зацепить скрытую электропроводку, устройство следует держать за специально предназначенные для этого изолированные поверхности. Контакт болта с токоведущим проводом может ставить под напряжение металлические части прибора, а также приводить к удару электрическим током.

ДОПОЛНИТЕЛЬНЫЕ УКАЗАНИЯ ПО БЕЗОПАСНОСТИ И РАБОТЕ
 Пользоваться средствами защиты. Работать с инструментом всегда в защитных очках. Рекомендуется спецоджда: пылезащитная маска, защитные перчатки, прочная и нескользящая обувь, каска и наушники.
 Пыль, возникающая при работе данным инструментом, может нанести вред здоровью. Не следует допускать её попадания в организм. Надевайте противопылевой респиратор.
 Запрещается обрабатывать материалы, которые могут нанести вред здоровью (напр., асбест).

При блокировании используемого инструмента немедленно выключите прибор! Не включайте прибор до тех пор, пока используемый инструмент заблокирован, в противном случае может возникнуть отдача с высоким реактивным моментом. Определите и устраните причину блокирования используемого инструмента с учетом указаний по безопасности.

Возможными причинами могут быть:
 • перекос заготовки, подлежащей обработке
 • разрушение материала, подлежащего обработке
 • перегрузка электроинструмента

Не прикасаться к работающему станку.
 Используемый инструмент может нагреваться во время применения.
ВНИМАНИЕ! Опасность получения ожога
 • при смене инструмента
 • при укладывании прибора

Не убирайте опилки и обломки при включенном инструменте.
 При работе в стенах, потолках или полу следите за тем, чтобы не повредить электрические кабели или водопроводные трубы.

Зафиксируйте вашу заготовку с помощью зажимного приспособления. Незафиксированные заготовки могут привести к тяжелым травмам и повреждениям.

Выньте аккумулятор из машины перед проведением с ней каких-либо манипуляций.

Не выбрасывайте использованные аккумуляторы вместе с домашним мусором и не сжигайте их. Дистрибьюторы компании Milwaukee предлагают восстановление старых аккумуляторов, чтобы защитить окружающую среду.

Не храните аккумуляторы вместе с металлическими предметами во избежание короткого замыкания.

Для зарядки аккумуляторов модели M18 используйте только зарядным устройством M18. Не заряжайте аккумуляторы других систем.

Никогда не вскрывайте аккумуляторы или зарядные устройства и храните их только в сухих помещениях. Следите, чтобы они всегда были сухими.

Аккумуляторная батарея может быть повреждена и дать течь под воздействием чрезмерных температур или повышенной нагрузки. В случае контакта с аккумуляторной кислотой немедленно промойте место контакта мылом и водой. В случае попадания кислоты в глаза промойте глаза в течение 10 минут и немедленно обратитесь за медицинской помощью.

Предупреждение! Для предотвращения опасности пожара в результате короткого замыкания, травм и повреждения изделия не опускайте инструмент, сменный аккумулятор или зарядное устройство в жидкости и не допускайте попадания жидкостей внутрь устройств или аккумуляторов. Коррозионные и проводящие жидкости, такие как соленый раствор, определенные химикаты, отбеливающие средства или содержащие их продукты, могут привести к короткому замыканию.



ИСПОЛЬЗОВАНИЕ
M18 FDD: Аккумуляторная дрель/шуруповерт сконструирована для простого сверления и закручивания шурупов в местах, необеспеченных электропитанием.

M18 FPD: Электронная ударная дрель/шуруповерт Milwaukee сконструирована для простого сверления, ударного сверления, закручивания шурупов в местах, необеспеченных электропитанием.
 Не пользуйтесь данным инструментом способом, отличным от указанного для нормального применения.

ДЕКЛАРАЦИЯ О СООТВЕТСТВИИ СТАНДАРТАМ ЕС
 Мы заявляем под собственную ответственность, что изделие, описанное в разделе "Технические характеристики", соответствует всем важным предписаниям Директивы 2011/65/EU (Директива об

ограничении применения опасных веществ в электрических и электронных приборах), 2014/30/EU, 2006/42/ЕС и приведенным далее гармонизированным нормативным документам:

EN 60745-1:2009 + A11:2010
 EN 60745-2-1:2010
 EN 60745-2-2:2010
 EN 50514-1:2006 + A1:2009 + A2:2011
 EN 50514-2:2015
 EN 50581:2012
 Winnenden, 2017-11-30


 Alexander Krug
 Managing Director

 Уполномочен на составление технической документации.
 Techtronic Industries GmbH
 Max-Eyth-Straße 10
 71364 Winnenden
 Germany

АККУМУЛЯТОР
 Перед использованием аккумулятора, которым не пользовались некоторое время, его необходимо зарядить.

Температура свыше 50°C снижает работоспособность аккумуляторов. Избегайте продолжительного нагрева или прямого солнечного света (риск перегрева).

Контакты зарядного устройства и аккумуляторов должны содержаться в чистоте. Чтобы снова зарядить и активировать аккумулятор, подключите его к зарядному устройству.

Для обеспечения оптимального срока службы аккумуляторы необходимо полностью заряжать после использования.

Для достижения максимально возможного срока службы аккумуляторы после зарядки следует вынимать из зарядного устройства.

При хранении аккумулятора более 30 дней: Храните аккумулятор при 27°C в сухом месте. Храните аккумулятор с зарядом примерно 30% - 50%. Каждые 6 месяцев аккумулятор следует заряжать.

ЗАЩИТА АККУМУЛЯТОРА ОТ ПЕРЕГРУЗКИ
 При перегрузке аккумулятора из-за очень высокого расхода электроэнергии, напр., предельно высоких крутящих моментов, заклинивания сверла, внезапной остановки или короткого замыкания, электроинструмент гудит 2 секунды и автоматически отключается. Для повторного включения отпустите кнопку выключателя и затем снова включите.
 При предельно высоких нагрузках аккумулятор может сильно нагреться. В этом случае аккумулятор отключится.

ТРАНСПОРТИРОВКА ЛИТИЙ-ИОННЫХ АККУМУЛЯТОРОВ
 Литий-ионные аккумуляторы в соответствии с предписаниями закона транспортируются как опасные грузы.

Транспортировка этих аккумуляторов должна осуществляться с соблюдением местных, национальных и международных предписаний и положений.

• Эти аккумуляторы могут перевозиться по улице потребителем без дальнейших обязательств.
 • При коммерческой транспортировке литий-ионных аккумуляторов экспедиторскими компаниями действуют положения, касающиеся транспортировки опасных грузов. Подготовка к отправке и транспортировка должны производиться исключительно специально обученными лицами. Весь

процесът трябва да се намира под контрола на специалист.

При транспортировка акумулаторов е необходимо да се спазват следните точки:

- Уверете се, че контактите са защитени и изолирани, за да се избегне късо съединение.
- Следете за темп., че акумулаторният блок не се нагрява вътре в опаковката.
- Транспортировка повредените или протекащи акумулаторов е забранена.

За допълнителни указания се обърнете към своето обслужване.

ОБСЛУЖИВАНЕ

Ползвайте аксесоари и запасни части Milwaukee. В случай на повреда е необходимо да се замени, която не е описана, обърнете се в един от сервизните центрове по обслужване електроинструментов Milwaukee (см. списък сервизните организации).

При необходимост, у сервизна служба или директно у фирмата Techtronic Industries GmbH, Max-Eyth-Straße 10, 71364, Винненден, Германия, може да се поиска чертеж на устройството, като се посочи тип и шестзначен номер, даден в фирмената табличка.

СИМВОЛИ



ВНИМАНИЕ! ПРЕДУПРЕЖДЕНИЕ! ОПАСНОСТ!



Прочетете инструкцията преди да работите с машината.



Пожалуйста, внимателно прочитайте инструкцию по использованию перед началом любых операций с инструментом.



Електроприборите, батериите/акумулаторите не трябва да се утилизират заедно с битовия отпадък. Електрическите прибори и акумулаторите следва да се събират отделно и да се предават на специализирана компания за рециклиране в съответствие с нормите за охрана на околната среда. Получете в местните власти или у вашето специализирано дилерско предприятие информация за местата за вторична рециклировка и пунктовете за събиране.



Знак CE



Национален знак за съответствие в Украйна



Сертификат за съответствие
No. TC RU C-DE.ГП86.В.00065
Срок на действие на Сертификата за съответствие
по 22.12.2019
ООО «Ручные электрические машины.
Сертификация»
141400, РФ, Московская область, г. Химки, Ул.
Ленинградская, 29

Транспортировка:

Категорично не се допуска падане и всякакви механични въздействия на опаковката при транспортировка.

При разтоварване/позтоварване не се допуска използване

на всякакви инструменти, работещи по принцип на замяна на удар.

Хранение:

Необходимо е да се съхранява в сухо място. Необходимо е да се избегне излагане на високи температури и въздействие на слънчевите лъчи. При съхранение е необходимо да се избегне резкия температурен скок.
Хранение без опаковката не се допуска.

Срок на служба на продукта:

Срок на служба на продукта е 5 години.
Не се препоръчва експлоатация след изтичане на 5 години от датата на производство без предварителна проверка.

Дата на производство (код дата) е отпечатан на повърхността на корпуса на продукта.

Пример:

A2015, где 2015 - год изготовления

A – месец изготовления

Определен месец на производство може да се определи от следната таблица

A - Януари	G - Юли
B - Февруари	H - Август
C - Март	J - Септември
D - Април	K - Октомври
E - Май	L - Ноември
F - Юни	M - Декември

Тектроник Индастриз ГмбХ
Германия, 71364, Винненден,
ул. Макс-Ай-Штрассе, 10
Сделано в КНР

ТЕХНИЧЕСКИ ДАННИ АКУМУЛАТОРЕН УДАРЕН ГАЙКОВЕРТ

	M18 FDD	M18 FPD
Производствен номер.....	4524 89 03.....	4524 79 03.....
	...000001-999999	...000001-999999
Диаметър на свредлото за стомана.....	13 mm.....	13 mm.....
Диаметър на свредлото за дърво.....	45 mm.....	45 mm.....
Диаметър на свредлото за обикновени и силикатни тухли.....	13 mm.....	13 mm.....
Винтове за дърво (без предварително разпробиване).....	10 mm.....	10 mm.....
Обороти на празен ход на 1. скорост.....	0-550 min ⁻¹	0-550 min ⁻¹
Обороти на празен ход на 2. скорост.....	0-2000 min ⁻¹	0-2000 min ⁻¹
Брой на ударите на 1. скорост.....	0-8800 min ⁻¹	0-8800 min ⁻¹
Брой на ударите на 2. скорост.....	0-32000 min ⁻¹	0-32000 min ⁻¹
Въртящ момент *1 (5,0 Ah).....	135 Nm.....	135 Nm.....
Напрежение на акумулатора.....	18 V.....	18 V.....
Затегателен участък на патронника.....	1,5-13 mm.....	1,5-13 mm.....
Тегло съгласно процедурата ЕРТА 01/2003 (2,0 Ah).....	2,3 kg.....	2,3 kg.....
Тегло съгласно процедурата ЕРТА 01/2003 (5,0 Ah).....	2,5 kg.....	2,5 kg.....

Информация за шума/вибрациите

Измерените стойности са получени съобразно EN 60745.

Нивото на звуково налягане на уреда в db (A) обикновено съставлява

Равнище на звуковото налягане (Несигурност K=3dB(A)).....	74,5 dB (A).....	99,9 dB (A).....
Равнище на мощността на звука (Несигурност K=3dB(A)).....	85,5 dB (A).....	110,9 dB (A).....

Да се носи предпазно средство за слуха!

Общите стойности на вибрациите (векторна сума на три посоки) са определени в съответствие с EN 60745.

Стойност на емисиите на вибрациите a_h

Ударно пробиване в бетон.....	-	13,2 m/s ²
Несигурност K=.....		1,5 m/s ²
Пробиване на метал.....	1,29 m/s ²	1,29 m/s ²
Несигурност K=.....		1,5 m/s ²
Завинтване.....	1,33 m/s ²	1,33 m/s ²
Несигурност K=.....		1,5 m/s ²

*1 Измерено по стандарт N 877318 на Milwaukee

ВНИМАНИЕ

Посоченото в тези инструкции ниво на вибрациите е измерено в съответствие със стандартизиран в EN 60745 измервателен метод и може да се използва за сравнение на електрически инструменти помежду им. Подходящ е и за временна оценка на вибрационното натоварване.

Посоченото ниво на вибрациите представя основните приложения на електрическия инструмент. Ако обаче електрическият инструмент се използва за друго предназначение, с различни сменяеми инструменти или при недостатъчна техническа поддръжка, нивото на вибрациите може да е различно. Това чувствително може да увеличи вибрационното натоварване по време на целия работен цикъл.

За точната оценка на вибрационното натоварване трябва да се вземат предвид и периодите от време, в които уреда е изключен или работи, но в действителност не се използва. Това чувствително може да намали вибрационното натоварване по време на целия работен цикъл.

Определете допълнителни мерки по техника на безопасност в защита на обслужващия работник от въздействието на вибрациите като например: техническа поддръжка на електрическия инструмент и сменяемите инструменти, поддръжане на ръцете топли, организация на работния цикъл.

▲ ПРЕДУПРЕЖДЕНИЕ! Прочетете всички указания и напътствия за безопасност.

Пропуски при спазването на указанията и напътствията за безопасност могат да доведат до токов удар, пожар и/или тежки наранявания.

Съхранявайте указанията и напътствията за безопасност за справка при нужда.

▲ УКАЗАНИЯ ЗА БЕЗОПАСНОСТ ЗА БОРМАШИНИ

Носете средство за защита на слуха. Въздействието на шума може да предизвика загуба на слуха.

Използвайте доставените с уреда допълнителни ръкохватки. Загубата на контрол може да доведе до наранявания.

Дръжте уреда за изолираните ръкохватки, когато извършвате работи, при които режещият инструмент може да засегне скрити електроинсталационни кабели. При влизане в съприкосновение с проводник под напрежение, то се предава на всички метални части на електроинструмента, което може да доведе до токов удар.

▲ УКАЗАНИЯ ЗА БЕЗОПАСНОСТ ЗА СВРЕДЛА ЗА УДАРНО ПРОБИВАНЕ

Когато извършвате работи, при които болтът може да докосне скрити електрически кабели, дръжте уреда за изолираните ръкохватки. Контактът на болта с токопроводим проводник може да постави метални част на уреда под напрежение и може да Ви хване ток.

ДОПЪЛНИТЕЛНИ УКАЗАНИЯ ЗА РАБОТА И БЕЗОПАСНОСТ

Да се използват предпазни средства. При работа с машината винаги носете предпазни очила. Препоръчват се защитно облекло и прахозащитна маска, защитни ръкавици, здрави и нехлъзгащи се обувки, каска и предпазни средства за слуха.

Прахът, който се образува при работа, често е вреден за здравето и не бива да попада в тялото. Да се носи подходяща прахозащитна маска.

Не е разрешена обработката на материали, които представляват опасност за здравето (напр. азбест).

Ако използванят инструмент блокира, изключете веднага уреда! Не включвайте уреда отново, докато използваният инструмент е блокиран; това би могло да доведе до откат с висока реактивна сила. Открийте и отстранете причината за блокирането на използвания инструмент и майки в предвидените инструкции за безопасност.

Възможните причини за това могат да бъдат:

- Заключване в обработваната част
- Пробиване на материала
- Пренатоварване на електрическия инструмент

Не бъркайте в машината, докато тя работи.

Използваният инструмент може да загрее по време на употреба.

ВНИМАНИЕ! Опасност от изгаряния

- при сямяна на инструментата
- при оставяне на уреда

Стружки или отчупени парчета да не се отстраняват, докато машина работи.

При работа в стени, тавани или подове внимавайте за кабели, газопроводи и водопроводи.

Закрепете обработваната част с устройство за захващане. Незакрепени части за обработка могат да причинят сериозни наранявания и материални щети.

Преди започване на каквото е да работи по машината извадете акумулатора.

Не изхвърляйте изхабените акумулатори в огъня или в битовите отпадъци. Milwaukee предлага екологосъобразно събиране на старите акумулатори; моля ползвайте Вашия специализиран търговец.

Не съхранявайте акумулаторите заедно с метални предмети (опасност от късо съединение).

Акумулатори от системата M18 да се зареждат само със зарядни устройства от системата M18 laden. Да не се зареждат акумулатори от други системи.

Не отваряйте акумулатори и зарядни устройства и ги съхранявайте само в сухи помещения. Пазете ги от влага.

При екстремно натоварване или екстремна температура от повредени акумулатори може да изтече батерийна течност. При допир с такава течност веднага измийте с вода и сапун. При контакт с очите веднага изплаквайте старателно най-малко 10 минути и незабавно потърсете лекар.

Предупреждение! За да избегнете опасността от пожар, предизвикана от късо съединение, както и нараняванията и повредите на продукта, не потапяйте инструмента, сменяемата акумулаторна батерия или зарядното устройство в течности и се погрижете в уредите и акумулаторните батерии да не попадат течности. Течностите, предизвикващи корозия или провеждащи електричество, като солена вода, определени химикали, избелващи вещества или продукти, съдържащи избелващи вещества, могат да предизвикат късо съединение.

ИЗПОЛЗВАНЕ ПО ПРЕДНАЗНАЧЕНИЕ

M18 FDD: Акумулаторният пробивен винтоверт се използва универсално за пробиване и за завинтване на винтове и не зависи от захранване от мрежата.

M18 FPD: Акумулаторният ударен пробивен винтоверт с електронно управление може универсално да се използва за пробиване, ударно пробиване и завинтване на винтове, като не зависи от захранване от мрежата.

Този уред може да се използва по предназначение само както е посочено.

СЕ - ДЕКЛАРАЦИЯ ЗА СЪОТВЕТСТВИЕ

Заявявам под собствена отговорност, че описаният в "Технически данни" продукт съответства на всички важни разпоредби на директива 2011/65/EU (RoHS), 2014/30/EU, 2006/42/EO, както и на всички следващи нормативни документи във тази връзка.

EN 60745-1:2009 + A11:2010
EN 60745-2-1:2010
EN 60745-2-2:2010
EN 55014-1:2006 + A1:2009 + A2:2011
EN 55014-2:2015
EN 50581:2012

Winnenden, 2017-11-30



Alexander Krug
Managing Director



Упълномощен за съставяне на техническата документация

Techtronic Industries GmbH
Max-Eyth-Straße 10
71364 Winnenden
Germany

АКУМУЛАТОРИ

Акумулатори, които не са ползвани по-дълго време, преди употреба да се дозаредят. Температура над 50°C намалява мощността на акумулатора. Да се избягва по-продължително нагряване на слънце или от отопление.

Поддържайте чисти присъединителните контакти на зарядното устройство и на акумулатора.

С цел оптимална продължителност на живот след употреба батериите трябва да бъдат заредени напълно.

За възможно по-дълга продължителност на живот батериите трябва да се изваждат от уреда след зареждане.

При съхранение на батериите за повече от 30 дни: съхранявайте батерията при прибл. 27°C и на сухо място. Съхранявайте батерията при 30 до 50 % от заряда. Зареждайте батерията на всеки 6 месеца.

ЗАЩИТА ОТ ПРЕТОВАРВАНЕ НА БАТЕРИЯТА

При претоварване на акумулатора поради много висока консумация на ток, напр. много високи въртящи моменти, заклиняване на свердлото, внезапен стоп или късо съединение, електрическият инструмент бръмчи 2 секунди и самостоятелно се изключва.

За ново включване освободете бутона за включване и отново го включете. При извънредни натоварвания акумулаторът може да се нагрее силно. В този случай акумулаторът изключва. Тогава акумулаторът да се включи към зарядното устройство, за да се дозареди и активира.

ПРЕВОЗ НА ЛИТИЕВО-ЙОННИ БАТЕРИИ

Литиево-йонните батерии са предмет на законовите разпоредби за превоз на опасни товари.

Превозът на тези батерии трябва да се извършва в съответствие с местните, националните и международните разпоредби и регламенти.

- Потребителите могат да превозват тези батерии по пътя без допълнителни изисквания.
- Превозът на литиево-йонни батерии от транспортни компании е предмет на законовите разпоредби за превоз на опасни товари. Подготовката на превоза и самият превоз трябва да се извършват само от обучени лица. Целият процес трябва да е под професионален надзор.

Спазвайте следните изисквания при превоз на батерии:

- Уверете се, че контактите са защитени и изолирани, за да се избегне късо съединение.
- Уверете се, че няма опасност от разместване на батерията в опаковката.
- Не превозвайте повредени батерии или такива с течове.

Обърнете се към Вашата транспортна компания за допълнителни инструкции.

ПОДДРЪЖКА

Да се използват само аксесоари на Milwaukee и резервни части на Milwaukee. Елементи, чията подмяна не е описана, да се дадат за подмяна в сервиз на Milwaukee (вижте брошурата "Гаранция и адреси на сервизи").

При необходимост можете да поискате схема на елементите на уреда при посочване на обозначение на машината и шестцифрения номер на табелката за технически данни от Вашия сервиз или директно на Techtronic Industries GmbH, Max-Eyth-Straße 10, 71364 Winnenden, Германия.

СИМВОЛИ



ВНИМАНИЕ! ПРЕДУПРЕЖДЕНИЕ! ОПАСНОСТ



Преди каквито и да е работи по машината извадете щепсела от контакта.



Преди пускане на уреда в действие моля прочетете внимателно инструкцията за използване.



Електрическите уреди, батерии/акумулаторни батерии не трябва да се изхвърлят заедно с битовите отпадъци. Електрическите уреди и акумулаторни батерии трябва да се събират разделно и да се предават на службите за рециклиране на отпадъците според изискванията за опазване на околната среда. Информирайте се при местните служби или при местните специализирани търговци относно местата за събиране и центровете за рециклиране на отпадъци.



СЕ-знак



Национален знак за съответствие - Украйна



EurAsian знак за съответствие.

DATE TEHNICEMASINĂ DE GĂURIT/ ÎNȘURUBAT COMPACTĂ CU ACUMULATOR

	M18 FDD	M18 FPD
Număr producție.....	4524 89 03.....	4524 79 03... ..000001-999999
Capacitate de găurire în oțel.....	13 mm.....	13 mm
Capacitate de perforare în lemn.....	45 mm.....	45 mm
Capacitate de perforare în cărămidă și țiglă.....	10 mm.....	10 mm
Șuruburi pt. lemn (fără pregăurire).....	0-550 min ⁻¹	0-550 min ⁻¹
Viteza de mers în gol , prima treaptă de putere.....	0-2000 min ⁻¹	0-2000 min ⁻¹
Viteza de mers în gol , a 2-a treaptă de putere.....	0-8800 min ⁻¹	0-8800 min ⁻¹
Rata de impact, prima treaptă de putere.....	0-32000 min ⁻¹	0-32000 min ⁻¹
Rata de impact, a 2-a treaptă.....	135 Nm.....	135 Nm
Cuplu *1 (5,0 Ah).....	18 V.....	18 V
Tensiune acumulator.....	1,5-13 mm.....	1,5-13 mm
Interval de deschidere burghiu.....	2,3 kg.....	2,3 kg
Greutatea conform „EPTA procedure 01/2003” (2,0 Ah).....	2,5 kg.....	2,5 kg
Greutatea conform „EPTA procedure 01/2003” (5,0 Ah).....		

Informație privind zgomotul/vibrațiile

Valori măsurate determinate conform EN 60 745.

Valoarea reală A a nivelului presiunii sonore a sculei este :

Nivelul presiunii sonore (Nesiguranță K=3dB(A))..... 74,5 dB (A) 99,9 dB (A)

Nivelul sunetului (Nesiguranță K=3dB(A))..... 85,5 dB (A) 110,9 dB (A)

Purtați căști de protecție

Valorile totale de oscilație (suma vectorială pe trei direcții) determinate

conform normei EN 60745.

Valoarea emisiei de oscilații a_h

Găurit cu percuție în beton..... 13,2 m/s²

Nesiguranță K=..... 1,5 m/s²

Găurit în metal..... 1,29 m/s²..... 1,29 m/s²

Nesiguranță K=..... 1,5 m/s²..... 1,5 m/s²

Înșurubare..... 1,33 m/s²..... 1,33 m/s²

Nesiguranță K=..... 1,5 m/s²..... 1,5 m/s²

*1 Măsurată conform normei Milwaukee N 877318

AVERTISMENT

Gradul de oscilație indicat în prezentele instrucțiuni a fost măsurat în conformitate cu o procedură de măsurare normată prin norma EN 60745 și poate fi folosit pentru a compara unelte electrice între ele. El se pretează și pentru o evaluare provizorie a solicitării la oscilații.

Gradul de oscilație indicat reprezintă aplicațiile principale ale uneltelor electrice. În cazul în care însă uneltele electrice au fost folosite pentru alte aplicații, ori au fost folosite unelte de muncă diferite ori acestea nu au fost supuse unei suficiente inspecții de întreținere, gradul de oscilație poate fi diferit. Acest fapt poate duce la o creștere netă a solicitărilor la oscilații dealungul întregii perioade de lucru.

În scopul unei evaluări exacte a solicitării la oscilații, urmează să fie luate în considerație și perioadele de timp în care aparatul a fost oprit ori funcționează dar, în realitate, el nu este folosit în mod practic. Acest fapt poate duce la o reducere netă a solicitărilor la oscilații dealungul întregii perioade de lucru.

Stabilitți măsurii de siguranță suplimentare în scopul protecției utilizatorului de efectele oscilațiilor, de exemplu: inspecție de întreținere a uneltelor electrice și a celor de muncă, păstrarea caldă a mâinilor, organizarea proceselor de muncă.

⚠️ AVERTIZARE! Citiți toate indicațiile de siguranță și toate instrucțiunile.

Nerespectarea indicațiilor de avertizare și a instrucțiunilor poate provoca electrocutare, incendii și/sau răniiri grave.

Păstrați toate indicațiile de avertizare și instrucțiunile în vederea utilizărilor viitoare.

⚠️ INSTRUCȚIUNI DE SIGURANȚĂ PENTRU MAȘINILE DE GĂURIT

Purtați aparatoare de urechi. Expunerea la zgomot poate produce pierderea auzului.

Utilizați manerale auxiliare livrate cu scula. Pierderea controlului poate provoca rănirea persoanelor.

Țineți aparatul de mânerale izolate când executați lucrări la care scula tăietoare poate nimeri peste conductorii electrici ascunși. Contactul cu un conductor sub tensiune determină punerea sub tensiune a componentelor metalice ale mașinii și duce la electrocutare.

⚠️ INSTRUCȚIUNI DE SIGURANȚĂ PENTRU MAȘINILE DE ÎNȘURUBAT

Țineți aparatul de mânerale izolate atunci când executați lucrări la care șurubul ar putea atinge cabluri de curent ascunse. Contactul șurubului cu un conductor prin care circulă curentul electric poate pune sub tensiune componente metalice ale aparatului, provocând electrocutare.

INSTRUCȚIUNI SUPLIMENTARE DE SIGURANȚĂ ȘI DE LUCRU

Folosii echipament de protecție . Purtați întotdeauna ochelari de protecție când lucrați cu mașina . Se recomandă utilizarea hainelor de protecție ca de ex. Măști contra prafului, mănuși de protecție, încălțăminte stabilă nealunecoasă, cască și apăratoare de urechi.

Praful care apare când se lucrează cu această sculă poate fi dăunător sănătății și prin urmare nu trebuie să atingă corpul. Purtați o mască de protecție corespunzătoare împotriva prafului.

Nu se admite prelucrarea unui material care poate pune în pericol sănătatea operatorului (de exemplu azbestul).

La blocarea sculei demontabile vă rugăm să deconectați imediat aparatul! Nu conectați aparatul atâta timp cât scula demontabilă este blocată; dacă o faceți, s-ar putea să se producă un recul cu un cuplu mare de reacție. Găsiți și remediați cauza de blocare a sculei demontabile respectând indicațiile pentru siguranță.

Cauzele posibile pot fi:

- Agățarea în piesa de prelucrat
- Strângutarea materialului de prelucrat
- Suprasolicitarea sculei electrice

Nu atingeți părțile mașinii aflate în rotație.

Scula introdusă poate să devină fierbinte în timpul utilizării.

AVERTISMENT! Pericol de arsuri

- la schimbarea sculei
- la depunerea aparatului

Rumeгуșul și spanul nu trebuie îndepărtate în timpul funcționării mașinii.

Când se lucrează pe pereți, tavan sau dușumea, aveți grijă să evitați cablurile electrice și țevile de gaz sau de apă.

Asigurați piesa de prelucrat cu un dispozitiv de fixare. Pieseale neasigurate pot provoca accidentări grave și stricăciuni.

Îndepărtați acumulatorul înainte de începerea lucrului pe mașina

Nu aruncați acumulatorii uzați la containerul de rezidui menajere și nu îi ardeți. Milwaukee Distributors se oferă să recupereze acumulatorii vechi pentru protecția medijului inconjurător.

Nu depozitați acumulatorul împreună cu објекте металне (risc de scurtcircuit)

Folositi numai incarcatoare System M18 pentru incarcarea acumulatorilor System M18. Nu folositi acumulatori din alte sisteme.

Nu deschideți niciodată acumulatorii și incarcatoarele ѝ паstrajі-le numai ѝn incaperi uscate. Pastrajі-le ѝntodeauna uscate .

Acidul se poate scurge din acumulatorii deteriorați ѝn incărcături sau temperaturi extreme. ѝn caz de contact cu acidul din acumulator, spălați ѝmediat cu apă și сапun. ѝn caz de contact cu ochii, clătiți cu atenție timp de cel puțin 10 minute și аpelați ѝmediat ѝa ѝngrijire medicală.

Аvertizare! Pentru а reduce pericolul unui incendiu ѝ evitarea r/niirilor sau deteriorarea produsului ѝn urma unui scurtcircuit nu ѝmersai scula, acumulatorul de schimb sau ѝnc/rc/торul ѝn lichide ѝ asigurai-v/ s/ nu p/trund/ lichide ѝn аparate ѝ acumulatori. Lichidele corosive sau cu conductibilitate, precum аpa s/rat/, аnumite substane chimice ѝ ѝn/lbitori sau produse ce conin ѝn/lbitori, pot provoca un scurtcircuit.

CONDIȚII DE UTILIZARE SPECIFICATE

M18 FDD: Машина де гăурит / де ѝншурбат cu acumulator este destinată operațiilor де гaurire ѝ ѝншурbare , pentru utilizare independentă , departe de sursele de alimentare.

M18 FPD: Машина електроніка де гăурит / де ѝншурбат, cu перcuție cu acumulator este destinată гăурirii, перcutанте precum ѝ ѝншурбării, ѝa utilizare independentă departe de surse de alimentare.

Nu utilizați аcest produs ѝn alt mod decăt cel stabilit pentru utilizare normală

DECLARAȚIE DE CONFORMITATE

Declarăm pe propria răspundere că produsul descris ѝa "Date tehnice" este ѝn concordanță cu toate prevederile legale relevante ale Directivei 2011/65/EU (RoHS), 2014/30/EU, 2006/42/CE și cu următoarele norme armonizate:

EN 60745-1:2009 + A11:2010

EN 60745-2-1:2010

EN 60745-2-2:2010

EN 55014-1:2006 + A1:2009 + A2:2011

EN 55014-2:2015

EN 50581:2012

Winnenden, 2017-11-30

Alexander Krug
Managing Director



Ѓmpultericиt să elaboreze documentația tehnică.

Techtronic Industries GmbH

Max-Eyth-Straße 10

71364 Winnenden

Germany

ACUMULATORI

Acumulatorii care nu au fost utilizați а perioadă de timp trebuie reіncărcаți ѝnainte de utilizare.

Temperatura mai mare de 50°C (122°F) reduce performanța acumulatorului. Evitați expunerea prelungită а căldură sau radiație solară (risc de supraіncălzire)

Contactele incărcatoarelor ѝ acumulatorilor trebuie păstrate curate.

Pentru а durabilitate optimă, acumulatorii trebuie reіncărcаți complet după folosire.

Pentru а durată de viață căt mai lungă, acumulatorii ar trebui scoși din incărcător după incărcare.

La depozitarea acumulatorilor mai mult de 30 zile:

Acumulatorii se depozitează а cca. 27°C și ѝa loc uscat.

Acumulatorii se depozitează а nivelul de incărcare de cca. 30%-50%.

Acumulatorii se incărcă din nou а fiecare 6 luni.

PROTECȚIE SUPRAІNCĂRCARE ACUMULATOR

Ѓn caz de supraіncărcare а acumulatorului prin consum foarte ridicat de curent, de ex. cupluri mecanice extrem de mari, ѝnțepenirea burghilului, ѝntrerupere bruscă sau scurtcircuit, unealta електрикă produce timp de 2 secunde un zgomot

іnfundat, după care se decuplează de ѝa sine.

Ѓn vederea recupării, dați drumul butonului de comutare, iar apoi efectuați а nouă cuplare.

Ѓn condiții de incărcări extreme, acumulatorul se poate incălzi peste măsură. Ѓn аcest caz, acumulatorul se decuplează.

Pentru а-і reіncărcа ѝ activa, puneți acumulatorul ѝn ѝn апаратul de incărcare.

TRANSPORTUL ACUMULATORILOR CU IONI DE LITIU

Acumulatorii cu ioni de litiu cad sub incidența prescripțiilor legale pentru transportul de mărфuri periculoase.

Transportul аcestor acumulatorii trebuie să se efectueze cu respectarea prescripțiilor ѝ reglementărilor pe plan local, național ѝ internațional.

- Consumatorilor le este permis transportul rutier nerestrіcționat al аcestui тип de acumulatori.
- Transportul comercial al acumulatorilor cu ioni de litiu prin intermediul firmelor de expediție ѝ transport este supus reglementărilor transportului de mărфuri periculoase. Pregătirile pentru expediție ѝ transportul а voce să fie efectuate numai de către personal instruit corespunzător. Ѓntregul proces trebuie asistat ѝn mod competent.

Următoarele puncte trebuie аvute ѝn vedere а transportul acumulatorilor:

- Pentru а se evita scurtcircuite, аsigurați-vă de faptul că sunt protejate ѝ izolate contactele.
- Aveți grijă ca pachetul de acumulatori să nu poată aluneca ѝn altă poziție ѝn interiorul ambalajului său.
- Este interzis transportarea unor acumulatori deteriorați sau care pierd lichid.

Pentru indicații suplimentare аdresați-vă firmei de expediție ѝ transport cu care colaborați.

INTREȚINERE

Utilizați numai accesorii ѝ piese de schimb Milwaukee. Dacă unele din componente care nu au fost descrise trebuie ѝnlocuite , vă rugăm contactați unul din agenții de service Milwaukee (vezi lista noastră pentru service / garanție)

Dacă este necesar, puteți solicita de а centrul dvs. de service pentru clienți sau direct а Techtronic Industries GmbH, Max-Eyth-Straße 10, 71364 Winnenden, Germania un desen descompus al апаратului prin indicarea tipului de апарат ѝ а numărului cu șase cifre de pe tăblița indicatoare.

SIMBOLURI



PERICOL! AVERTIZARE! ATENȚIE!



Ѓntodeauna scoateți stecarul din prizа ѝnainte de а efectua intervenția а mașină.



Va rugăm citiți cu atenție instrucțiunile ѝnainte de pornirea mașinii



Aparatele electrice, bateriile/acumulatorii nu se elimină ѝmpreună cu deșeurile menajere. Aparatele electrice ѝ acumulatorii se colectează separat ѝ se predau ѝa un centru de reciclare, ѝn vederea eliminării ecologice. Informați-vă de а autoritățile locale sau de а comercianții аcreditați ѝn legătură cu centrele de reciclare ѝ de colectare.



Marcaj CE



Marcaj național de conformitate Ucraina



Marcaj de conformitate EurAsian.

ТЕХНИЧКИ ПОДАТОЦИ	УДАРНА ДУПЧАЛКА НА БАТЕРИИ	M18 FDD	M18 FPD
Производен број.....		4524 89 03.....	4524 79 03.....
		...000001-999999	...000001-999999
Капацитет на дупчење во челик		13 mm	13 mm
Капацитет на дупчење во дрво		45 mm	45 mm
Капацитет на дупчење во тули и плочки		13 mm	13 mm
Шрафови во дрво (без предходно дупчење)		10 mm	10 mm
Брзина без отповарување, 1ва брзина		0-550 min ⁻¹	0-550 min ⁻¹
Брзина без отповарување, 2ра брзина		0-2000 min ⁻¹	0-2000 min ⁻¹
Големина на удар, 1ва брзина		0-8800 min ⁻¹	0-8800 min ⁻¹
Големина на удар, 2ра брзина		0-32000 min ⁻¹	0-32000 min ⁻¹
Спрега торк *1 (5,0 Ah).....		135 Nm	135 Nm
Волтажа на батеријата		18 V	18 V
Опсег на отворање на бушотина		1,5-13 mm	1,5-13 mm
Тежина според ЕПТА-процедурата 01/2003 (2,0 Ah).....		2,3 kg	2,3 kg
Тежина според ЕПТА-процедурата 01/2003 (5,0 Ah).....		2,5 kg.....	2,5 kg

Информација за бучавата/вибрациите

Измерените вредности се одредени согласно стандардот EN 60745.

Типично очекувано ниво на звучен притисок на алатот е:

Ниво на звучен притисок. (Несигурност K=3dB(A))..... 74,5 dB (A)

Ниво на јачина на звук. (Несигурност K=3dB(A))..... 85,5 dB (A)

Носте штитник за уши.

Вкупни вибрациски вредности (векторски збир на трите насоки) пресметани согласно EN 60745.

Вибрациска емисиона вредност a_h

Перкусиско дупчење во бетон..... 13,2 m/s²

Несигурност K = 1,5 m/s²

Дупчење во метал..... 1,29 m/s²..... 1,29 m/s²

Несигурност K = 1,5 m/s²..... 1,5 m/s²

Зашрафување..... 1,33 m/s²..... 1,33 m/s²

Несигурност K = 1,5 m/s²..... 1,5 m/s²

*1 Мерни во зависност од Milwaukee норма N 877318

ПРЕДУПРЕДУВАЊЕ

Нивото на осцилација наведено во овие инструкции е измерено во согласност со мерните постапки нормирани во EN 60745 ѝ може да биде употребено за меѓусебна споредба на електро-алати. Ова ниво може да се употреби ѝ за привремена проценка на отповарувањето на осцилацијата.

Наведено ниво на осцилација ги репрезентира главните намени на електро-алатот. Но, доколку електро-алатот се употребува за други намени, со отстапувачки додатоци или со несоодветно одржување, нивото на осцилација може да отстапи. Тоа може значително да го зголеми отповарувањето на осцилацијата за време на целиот работен период.

За прецизна проценка на отповарувањето на осцилацијата предвид треба да бидат земени и времињата, во коишто апаратот е исклучен или работи, но фактички не се употребува. Тоа може значително да го намали отповарувањето на осцилацијата за време на целиот работен период.

Утврдете дополнителни безбедносни мерки за заштита на операторот од влијанието на осцилациите, како на пример: одржување на електро-алатот ѝ на додатоци кон електро-алатот, одржување топли раце, организација на работните процеси.

▲ ВНИМАНИЕ! Прочитајте ги безбедносните напомени и упатства.

Заборавање на почитувањето на безбедносните упатства и инструкции можат да предизвикаат електричен удар, пожар ѝ/или тешки повреди.

Сочувајте ги сите безбедносни упатства и инструкции за во иднина.

▲ БЕЗБЕДНОСНИ НАПОМЕНИ ЗА ПЕРКУСИОНИ БОРМАШИНИ

Носете штитник за уши. Изложеноста на бука може да предизвика губење на слухот.

Користете помошни рачки кои доаѓаат заедно со алатот. Губењето контрола може да предизвика повреда.

Држете го електричниот алат за издадените површини при изведување на операции при кои алатот за сечење можат да дојдат во контакт со скриени жици. Контакт со жица под напон исто така ќе направи проводници од металните делови и оној кој ракува со алатот ќе доживее струен удар.

▲ БЕЗБЕДНОСНИ НАПОМЕНИ ЗА ЗАШТРАФУВАЊЕ

При реализација на работи, при кои завртката може да погоди сокриени водови на струја, држете го апаратот на изолираните површини за држење. Контактот на навртката со вод под напон може да ги стави металните делови од апаратот под напон и да доведе до електричен удар.

ОСТАНАТИ БЕЗБЕДНОСНИ И РАБОТНИ УПАТСТВА

Употребувајте заштитна опрема. При работа со машината постојано носете заштитни очила. Се препорачува заштитна облека како: маска за заштита од прашина, заштитни ракавици, цврсти чевли што не се лизгаат, кацига и заштита за уши.

Пршината која се создава при користење на овој алат може да биде штетна по здравјето. Не ја вдишувајте. Носете соодветна заштитна маска.

Не смеат да бидат обработувани материјали кои што можат да го загорзат здравјето (на пр. азбест).

Доколку употребуваното орудие се блокира, молиме веднаш да се исклучи апаратот! Не го вклучувајте апаратот повторно додека употребуваното орудие е блокирано, притоа би можело да дојде до повратен удар со висок момент на реакција. Испитајте и отстранете ја причината за блокирањето на употребеното орудие имајќи ги во предвид напомените за безбедност.

Можни причини би можеле да се:

- Заканување во парчето кое што се обработува
- Кршење поради продирање на материјалот кој што се обработува
- Преоптоварување на електричното орудие

Не фаќајте во машината кога работи.

Употребеното орудие за време на примената може да стане многу жешко.

ПРЕДУПРЕДУВАЊЕ! Опасност од изгоретини

- при менување на орудие
- при ставање на апаратот на страна

Прашината и струготините не смеат да се одстрануваат додека е машината работи.

Кога работите на сидови, таван или под внимавајте да ги избегнете електричните, гасните и водоводни инсталации.

Обезбедете го предметот кој што го обработувате со направа за напон. Необезбедени парчиња кои што се обработуваат можат да предизвикаат тешки повреди и оштетувања.

Извадете го батеријскиот склоп пред отпочнување на каков и да е зафат врз машината.

Не ги оставајте искористените батерии во домашниот отпад и не горете ги. Дистрибутерите на Милвоки ги собираат старите батерии, со што ја штитат нашата околина.

Не ги чувајте батериите заедно со метални предмети (ризик од краток спој).

Користете исклучиво Систем М18 за полнење на батерии од М18 систем. Не користете батерии од друг систем.

Не ги отворајте насилно батериите и полначите, и чувајте ги само на суво место. Чувајте ги постојано суви.

Киселината од оштетените батерии може да истече при екстреман напон или температури. Доколку дојдете во контакт со исатата, измијте се веднаш со сапун и вода. Во случај на контакт со очите плакнете ги убаво најмалку 10 минути и задолжително одете на лекар.

Предупредување! За да избегнете опаснosta од пожар, од наранување или од оштување на производот, коишто ги создава краток спој, не ја потопувајте во течност алатката, заменливата батерија или полначот и пазете во уредите и во батериите да не проникнуваат течности. Корозивни или електроспроводноливи течности, како солена вода, одредени хемикалии, избелувачки препарати или производи кои содржат избелувачки супстанции, можат да предизвикаат краток спој.

СПЕЦИФИЦИРАНИ УСЛОВИ НА УПОТРЕБА

M18 FDD: Дупчалката на батериј/шрафцигерот е дизајниран за дупчење и зашрафување, независно употреба далеку од главното напојување.

M18 FPD: Перкусионата дупчалка/шрафцигер со електронска батерија е дизајниран за дупчење, перкусионо дупчење, како и шрафцигер при независна употреба далеку од главното напојување.

Не го користете овој производ на било кој друг начин освен пропишаниот за нормална употреба.

ЕУ-ДЕКЛАРАЦИЈА ЗА СООБРАЗНОСТ

Во своја сопствена одговорност изјавуваме дека под "Технички податоци" опишаниот производ е во склад со сите релевантни прописи од регулативата 2011/65/EU (RoHS), 2014/30/EU, 2006/42/EC и следните хармонизирани нормативни документи:

EN 60745-1:2009 + A11:2010
EN 60745-2-1:2010
EN 60745-2-2:2010
EN 55014-1:2006 + A1:2009 + A2:2011
EN 55014-2:2015
EN 50581:2012

Winnenden, 2017-11-30

Alexander Krug
Managing Director



Ополномоштен за составување на техничката документација.

Techtronic Industries GmbH
Max-Eyth-Straße 10
71364 Winnenden
Germany

БАТЕРИИ

Подолг период неупотребувани комплекти батерии да се наполнат пред употреба.

Температура повисока од 50°C (122°F) го намалуваат траењето на батериите. Избегнувајте подолго изложување на батериите на високи температури или сонце (ризик од прегревање).

Клемите на полначот и батериите мора да бидат чисти.

За оптимален работен век, по употреба батериите мора да бидат целосно наполнети.

За можно подолг век на траење, апаратите после нивноото полнење треба да бидат извадени од апаратот за полнење на батериите.

Во случај на складирање на батеријата подолго од 30 дена: Акумулаторот да се чува на температура од приближно 27°C и на суво место.

Акумулаторот да се складира на приближно 30%-50% од состојбата на наполнетост.

Акумулаторот повторно да се наполни на секои 6 месеци.

ЗАШТИТА ОД ПРЕОПТЕРЕТУВАЊЕ НА БАТЕРИЈАТА

При преоптоварување на батеријата со многу висока потрошувачка на струја, на пример екстремно високи вртежни моменти, заглавување на дупчалката, ненадејно запирање или краток спој, електро-уредот бучи 2 секунди, а потоа самостојно се гаси.

За повторно вклучување ослободете го прекинувачот и вклучете повторно. Во случај на екстремни оптоварувања батеријата може да загрее многу. Во такв случај батеријата исклучува.

Тогаш ставете ја батеријата во уредот за полнење за повторно да ја наполните и активирате.

ТРАНСПОРТ НА ЛИТИУМ-ЈОНСКИ БАТЕРИИ

Литиум-јонските батерии подлежат на законските одредби за транспорт на опасни материи.

Транспортот на овие батерии мора да се врши согласно локалните, националните и меѓународните прописи и одредби.

- Потрошувачите на овие батерии може да вршат непречен патен транспорт на истите.
- Комерцијалниот транспорт на литиум-јонски батерии од страна на шпедитерски претпријатија подлежат на одредбите за транспорт на опасни материи. Подготовките за шпедиција и транспорт треба да ги вршат исклучиво соодветно обучени лица. Целокупниот процес треба да биде стручно надгледуван.

При транспортот на батерии треба да се внимава на следното:

- Осигурајте се дека контактите се заштитени и изолирани, а сето тоа со цел да се избегнат кратки спојеви.
- Внимавајте да не дојде до измествување на батериите во нивната амбалажа.
- Забранет е транспорт на оштетени или протечени литиум-јонски батерии.

За понатамошни инструкции обратете се до Вашето шпедитерско претпријатие.

ОДРЖУВАЊЕ

Користете само Milwaukee додатоци и резервни делови. Доколку некои од компонентите кои не се опишани треба да бидат заменети, Ве молиме контактирајте ги сервисните агенти на Milwaukee (консултирајте ја листата на адреси).

При потреба може да се побара експлозионен цртеж на апаратот со наведување на машинскиот тип и шестозифрениот број на табличката со учинокот или во Вашата корисничка служба или директно кај Techtronic Industries GmbH, Max-Eyth-Straße 10, 71364 Winnenden, Германија.

СИМБОЛИ



ВНИМАНИЕ! ПРЕДУПРЕДУВАЊЕ! ОПАСНОСТ!



Секогаш кога преземате активности врз машината исклучете го кабелот од струјата.



Ве молиме пред да ја стартувате машината обрнете внимание на упатствата за употреба.



Електричните апарати и батериите што се полнат не смеат да се фрлат заедно со домашниот отпад. Електричните апарати и батериите треба да се собираат одделно и да се однесат во соодветниот погон заради нивно фрлање во склад со начелата за заштита на околината. Информирајте се кај Вашите местни служби или кај специјализираниот трговски претставник, каде има такви погони за рециклажа и собирни станици.



СЕ-знак



Национален конформитетски знак за Украина



EurAsian (Евроазиски) знак на конформитет.

ТЕХНИЧНИ ХАРАКТЕРИСТИКИ

ТЕХНИЧНИ ХАРАКТЕРИСТИКИ	АКУМУЛАТОРНИИ УДАРНИИ ДРИЛЪ-ГВИНТОКРУТ	M18 FDD	M18 FPD
Номер výroбу		4524 89 03	4524 79 03
		...000001-999999	...000001-999999
Ø свердління сталі		13 mm	13 mm
Ø свердління деревини		45 mm	45 mm
Свердління в цеглі та силікатній цеглі		13 mm	13 mm
Шурули для деревини		10 mm	10 mm
Кількість обертів холостого ходу 1 передача		0-550 min ⁻¹	0-550 min ⁻¹
Кількість обертів холостого ходу 2 передача		0-2000 min ⁻¹	0-2000 min ⁻¹
Кількість ударів під навантаженням 1 передача		0-8800 min ⁻¹	0-8800 min ⁻¹
Кількість ударів під навантаженням 2 передача		0-32000 min ⁻¹	0-32000 min ⁻¹
Крутильний момент *1 (2,0 Ah)		135 Nm	135 Nm
Напруга знімної акумулаторної батареї		18 V	18 V
Ділянка затискання свердильного патрона		1,5-13 mm	1,5-13 mm
Вага згідно з процедурою EPTA 01/2003 (2,0 Ah)		2,3 kg	2,3 kg
Вага згідно з процедурою EPTA 01/2003 (4,0 Ah / 5,0 Ah)		2,5 kg	2,5 kg

Шум / інформація про вибрацију

Вимиряни значення визначени згідно з EN 60 745.

Рівень шуму "А" приладу становити в типовому випадку:

Рівень звукового тиску (похибка К = 3 дБ(А)) 74,5 dB (A) 99,9 dB (A)
Рівень звуковој потужности (похибка К = 3 дБ(А)) 85,5 dB (A) 110,9 dB (A)

Використовувати засоби заштити органів слуху!

Сумарни значення вибрациј (векторна сума трьох напрямків), встановлені згідно з EN 60745.

Значення вибрациј a _w		
Ударне свердління бетону	-	13,2 m/s ²
похибка К =		1,5 m/s ²
Свердління в металі	1,29 m/s ²	1,29 m/s ²
похибка К =		1,5 m/s ²
Привинчування	1,33 m/s ²	1,33 m/s ²
похибка К =		1,5 m/s ²

*1 Вимирюється за стандартом AEG N 877318

ПОПЕРЕДЖЕННЯ!

Рівень вибрациј, вказаний в цій інструкциј, вимирювався згідно з методом вимирювання, нормованим стандартом EN 60745, і може використовуватися для порівняння електроінструментів. Він призначеній також для попередньої оцінки навантаження від вибрациј.

Вказаний рівень вибрациј відповідае основним сферам використання електроінструменту. Але якщо електроінструмент використовується для іншої мети, з іншими вставними інструментами або при недостатньому техничному обслуговуванні, рівень вибрациј може бути іншим. Це може значно підвищити навантаження від вибрациј за весь период работи.

Для точної оцінки навантаження від вибрациј необхідно також враховувати час, коли прилад вимкнений або увімкнений, але фактично не використовується. Це може значно зменшити навантаження від вибрациј за весь период работи.

Визначте додаткові заходи безпеки для заштити оператора від дії вибрациј, наприклад: Техничне обслуговування електроінструменту та вставних інструментів, зігрвання рук, організація робочих процесів.

⚠ ПОПЕРЕДЖЕННЯ! Прочитайте всі вказівки з техники безпеки та інструкциј.

Упущення при дотриманні вказівок з техники безпеки та інструкциј можуть призвести до ураження електричним струмом, пожежі та/або тяжких травм.

Зберігайте всі вказівки з техники безпеки та інструкциј на майбутне.

⚠ ВКАЗІВКИ З ТЕХНІКИ БЕЗПЕКИ ДЛЯ ДРИЛІВ

Користуйтеся засобами заштити органів слуху. Вплив шуму може спричинити втрату слуху.

Користуйтеся додатковими рукоятками, що поставляються разом с пристроєм, якщо вони входять в комплект поставки. Втрата контролю може призвести до пошкодження.

Під час виконання робіт тримайте прилад за ізольовані поверхні рукоятки, якщо вставний інструмент може натрапити на приховані електричні лінії. Контакт з лінією під напругою може призвести до появи напруги в металевих частинах приладу та до ураження електричним струмом.

⚠ ВКАЗІВКИ З ТЕХНІКИ БЕЗПЕКИ ДЛЯ ГВИНТОКРУТА

Тримайте прилад за ізольовані поверхні ручок, коли виконуєте роботу, під час якої гвинт може наштотхнутися на приховані електропроводи. Контакт гвинта з проводом під напругою може сприяти виникненню напруги на металевих деталях пристрою та призвести до ураження електричним струмом.

ДОДАТКОВИИ ИНСТРУКЦИЈ З ТЕХНІКИ БЕЗПЕКИ ТА ЕКСПЛУАТАЦИЈ

Використовуйте индивидуалні засоби заштити. Під час работи з машиною завжди носите зашисні окуляри. Радимо використовувати зашисний одяг, як наприклад маску для заштити від пилу, зашисні рукавици, міцне та нековзне взуття, каску та засоби заштити органів слуху.

Пил, що утворюється під час работи, часто бувае шкідливим для здоров'я; він не повинен потрапляти в організм. Носити відповідну маску для заштити від пилу.

Не можна обробляти матеріали, небезпечні для здоров'я (наприклад, азбест).

При блокуванні вставного інструменту негайно вимкните прилад! Не вмикайте прилад, якщо вставний інструмент заблокований; при цьому може виникати віддача з високим зворотним моментом. Визначити та усунути причину блокування вставного інструменту з урахуванням вказівок з техники безпеки.

Можливі причини:

- Перекіс в заготовці, що обробляється
- Пробивання оброблюваного матеріалу
- Перевантаження електроінструмента

Частини тіла не повинні потрапляти в машину, коли вона працюе.

Вставний інструмент може нагріватися під час работи.

ПОПЕРЕДЖЕННЯ! Небезпека опіків

- при заміні інструменту
- при відкладанні приладу

Не можна видаляти стружку або уламки, коли машина працюе.

Під час работи на стінах, стелях або підлозі звертайте увагу на електричні кабелі, газові та водопровідні лінії.

Зафіксувати заготовку в затискному пристрої. Незакріплені заготовки можуть привести до тяжких травм та пошкодження.

Перед будь-якими роботами на машині вийняти змінну акумулаторну батарею

Відпрацьовані знімні акумулаторні батареї не можна кидати у вогонь або викидати з побутовими відходами. АЕГ пропонуе утилізацію старих знімних акумулаторних батареї, безпечна для довкілля; зверніться до свого дилера.

Не зберігати знімні акумуляторні батареї разом з металевими предметами (небезпека короткого замикання).

Знімні акумуляторні батареї системи M18 заряджати лише зарядними пристроями системи M18. Не заряджати акумуляторні батареї інших систем.

Не відкривати знімні акумуляторні батареї і зарядні пристрої та зберігати їх лише в сухих приміщеннях. Берегти від вологи.

При екстремальному навантаженні або при екстремальній температурі з пошкодженої змінної акумуляторної батареї може витікати електроліт. При потрапленні електроліту на шкіру його негайно необхідно змити водою з милом. При потрапленні в очі їх необхідно негайно ретельно промити, щонайменше 10 хвилин, та негайно звернутися до лікаря.

Попередження! Для запобігання небезпеці пожежі в результаті короткого замикання, травм і пошкодженню виробів не занурюйте інструмент, змінний акумулятор або зарядний пристрій у рідину і не допускайте потраплення рідини всередину пристроїв або акумуляторів. Корозійні і струмопровідні рідини, такі як солоний розчин, певні хімікати, вибілювальні засоби або продукти, що їх містять, можуть призвести до короткого замикання.

ВИКОРИСТАННЯ ЗА ПРИЗНАЧЕННЯМ

Ударний дріль/винтокрут можна використовувати універсально для свердління, ударного свердління, пригвинчування.

Цей прилад можна використовувати тільки за призначенням так, як вказано в цьому документі.

СЕРТИФІКАТ ВІДПОВІДНОСТІ ВИМОГАМ ЄС

Ми заявляємо на власну відповідальність, що виріб, описаний в „Технічних даних“, відповідає всім застосовним положенням директиви 2011/65/EU (RoHS), 2014/30/EU, 2006/42/EG, та наступним гармонізованим нормативним документам:

EN 60745-1:2009 + A11:2010

EN 60745-2-1:2010

EN 60745-2-2:2010

EN 55014-1:2006 + A1:2009 + A2:2011

EN 55014-2:2015

EN 50581:2012

Winnenden, 2017-11-30

Alexander Krug
Managing Director



Уповноважений із складання технічної документації.

Techtronic Industries GmbH
Max-Eyth-Straße 10
71364 Winnenden
Germany

АКУМУЛЯТОРНІ БАТАРЕЇ

Знімну акумуляторну батарею, що не використовувалася тривалий час, перед використанням необхідно підзарядити.

Температура понад 50 °C зменшує потужність змінної акумуляторної батареї. Уникати тривалого нагрівання сонячними променями або системою обігріву.

З'єднувальні контакти зарядного пристрою та змінної акумуляторної батареї повинні бути чистими.

Для забезпечення оптимального строку експлуатації акумуляторні батареї після використання необхідно повністю зарядити.

Для забезпечення максимально можливого терміну експлуатації акумуляторні батареї після зарядки необхідно виймати з зарядного пристрою.

При зберіганні акумуляторної батареї понад 30 днів:

Зберігати акумуляторну батарею при температурі приблизно 27 °C в сухому місці.

Зберігати акумуляторну батарею в стані зарядки приблизно 30-50 %.

Кожні 6 місяців заново заряджати акумуляторну батарею.

ЗАХИСТ АКУМУЛЯТОРНОЇ БАТАРЕЇ ВІД ПЕРЕВАНТАЖЕННЯ

При перевантаженні акумуляторної батареї внаслідок занадто великого споживання струму, наприклад, при занадто високому крутильному моменті, заклинюванні пилкового диску, раптової зупинці або короткому замкненню, електронний інструмент зупиняється на 2 секунди та самостійно вимикається.

Для повторного увімкнення відпустити кнопку вимикача і знов увімкнути.

При надзвичайному навантаженні акумуляторна батарея може дуже сильно нагрітися. В такому випадку акумуляторна батарея вимикається..

ТРАНСПОРТУВАННЯ ЛІТІЙ-ІОННИХ АКУМУЛЯТОРНИХ БАТАРЕЙ

Літій-іонні акумуляторні батареї підпадають під законоположення про перевезення небезпечних вантажів.

Транспортування таких акумуляторних батарей повинно відбуватися із дотриманням місцевих, національних та міжнародних приписів та положень.

- споживачі можуть без проблем транспортувати ці акумуляторні батареї по вулиці.

- Комерційне транспортування літій-іонних акумуляторних батарей експедиторськими компаніями підпадає під положення про транспортування небезпечних вантажів. Підготовку до відправлення та транспортування можуть здійснювати виключно особи, які пройшли відповідне навчання. Весь процес повинні контролювати кваліфіковані фахівці.

При транспортуванні акумуляторних батарей необхідно дотримуватися зазначених далі пунктів:

- Переконайтеся в тому, що контакти захищені та ізольовані, щоб запобігти короткому замиканню.

- Слідкуйте за тим, щоб акумуляторна батарея не переміщувалася всередині упаковки.

- Пошкоджені акумуляторні батареї, або акумуляторні батареї, що потекли, не можна транспортувати.

Для отримання подальших вказівок звертайтеся до своєї експедиторської компанії.

ОБСЛУГОВУВАННЯ

Використовувати комплектуючі та запчастини тільки від Milwaukee. Деталі, заміна яких не описується, замінювати тільки в відділі обслуговування клієнтів Milwaukee (зверніть увагу на брошуру "Гарантія / адреси сервісних центрів").

У разі необхідності можна запросити креслення з зображенням вузлів машини в перспективному вигляді, для цього потрібно звернутися в ваш відділ обслуговування клієнтів або безпосередньо в Techtronic Industries GmbH, Max-Eyth-Straße 10, 71364 Winnenden, Німеччина, та вказати тип машини та шестизначний номер на фірмовій табличці з даними машини.

СИМВОЛИ



УВАГА! ПОПЕРЕДЖЕННЯ! НЕБЕЗПЕЧНО!



Перед будь-якими роботами на приладі вийняти змінну акумуляторну батарею.



Уважно прочитайте інструкцію з експлуатації перед введенням приладу в дію.



Електроприлади, батареї/акумулятори заборонено утилізувати разом з побутовим сміттям. Електричні прилади і акумулятори слід збирати окремо і здавати в спеціалізовану компанію для утилізації відповідно до норм охорони довкілля. Зверніться до місцевих органів або до вашого дилера, щоб отримати адреси пунктів вторинної переробки та пунктів прийому.



Знак CE



Національний знак відповідності для України



Знак відповідності для Європи та Азії EurAsian

Copyright 2017

Techtronic Industries GmbH
Max-Eyth-Straße 10 71364 Winnenden
Germany

+49 (0) 7195-12-0



(08.17)

4931 4146 95