

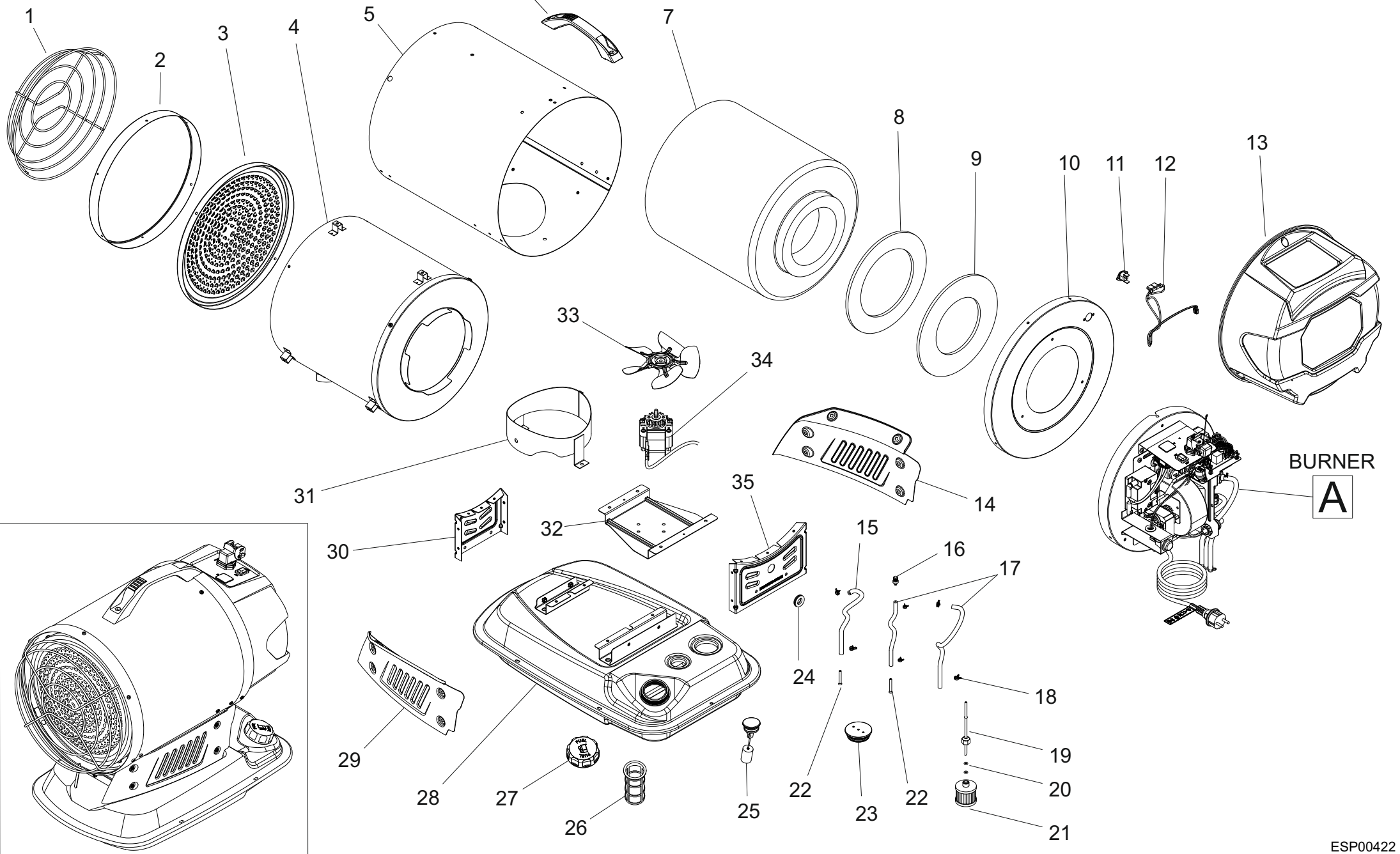
MODEL XL61 - 230 V / 50 Hz

UNIT 1

ILLUSTRATED PARTS BREAKDOWN

From serial number: 04736000475

Rev.- - Sept. 2016

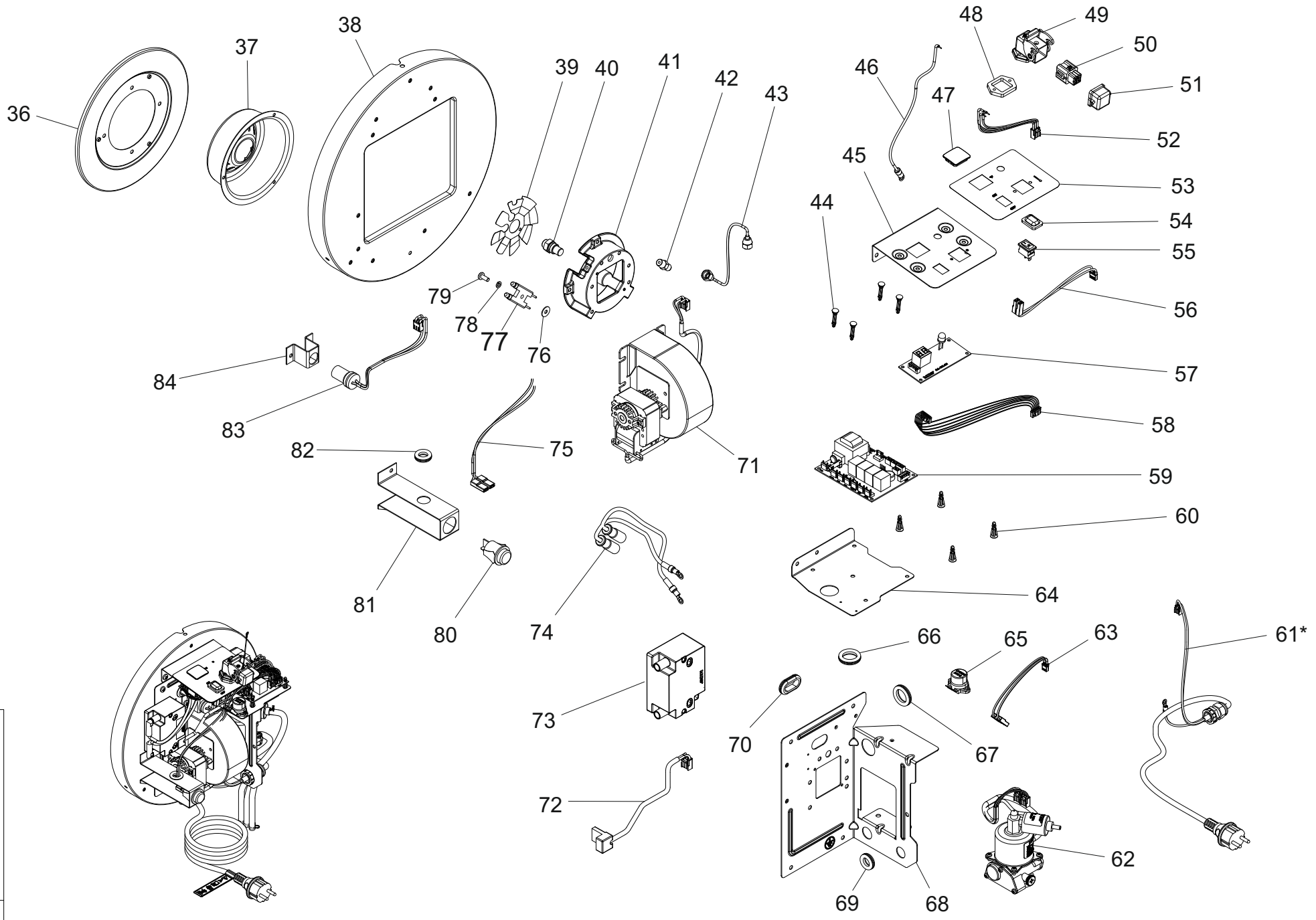


MODEL XL61 - 230 V / 50 Hz

UNIT 2

ILLUSTRATED PARTS BREAKDOWN

A



61-A *

POWER CORD New ZL
(type I)

MODEL XL61 - 230 V / 50 Hz

UNIT 2

PARTS LIST

POS.	Code NR	Description	Rev. - - Sept. 2016
1	4201.046	PROTECTION GRILLE	
2	4201.074	GRILLE RING	
3	4201.045	RADIATION DISK	
4	4201.038	COMBUSTION CHAMBER	
5	4201.021	VARNISHED SHELL	
6	4201.048	HANDLE	
7	4201.044	INSULATION CILINDER	
8	4201.032	CERAMIC FIBER GASKET	
9	4201.139	PAPER GASKET	
10	4201.421	BURNER PLATE	
11	4	SAFETY THERMOSTAT	
12	4201.290	THERMOSTAT WIRES	
13	4201.331	COVER	
14	4201.011	DX SIDE SHELL	
15	4201.061	OIL PIPE	
16	4260.246	BREATHE VALVE	
17	4201.062	OIL PIPE	
18	4290.027	CLIP	
19	4260.059	OIL PIPE + NUT	
20	4290.024	O-RING	
21	4290.025	OIL FILTER	
22	4201.415	OIL CONNECTION	
23	4201.443	RUBBER BUSHING	
24	4290.052	CABLE FEEDTHROUGH	
25	4260.006	FUEL GAUGE	
26	4290.239	TANK FILTER	
27	4100.054	TANK CAP	
28	4201.000	TANK	
29	4201.013	SX SIDE SHELL	
30	4201.007	FRONT SHELL	
31	4201.018	VENTILATION MOTOR CONVEYOR	
32	4201.064	VENTILATION MOTOR SUPPORT	
33	4201.065	FAN	
34	4260.000	VENTILATION MOTOR	
35	4201.009	REAR SHELL	
36	4201.031	COMPENSATION FLANGE	
37	4201.030	COMBUSTION HEAD DIFFUSER	
38	4201.077	BURNER PLATE	
39	4201.034	TURBOLATION DISK	
40	4260.001	NOZZLE	
41	4201.033	COMBUSTION HEAD	
42	4290.053	STRAIGHT CONNECTION	
43	4201.	OIL PIPE	
44	4290.028	SPACERS	
45	4201.404	DISPLAY PLATE	
46	4117.697	GROUND WIRE	
47	4201.068	DISPLAY COVER	
48	4201.426	THERMOSTAT SPACER	
49	4160.647	THERMOSTAT 90° CONNECTION	
50	4161.400	THERMOSTAT PLUG	

MODEL XL61 - 230 V / 50 Hz

UNIT 3

PARTS LIST

POS.	Code NR	Description	Rev. - - Sept. 2016
51	4162.467	THERMOSTAT CAP	
52	4117.695	THERMOSTAT WIRES	
53	4201.447	DISPLAY LABEL	
54	4104.336	SWITCH COVER	
55	4106.179	SWITCH	
56	4201.289	SWITCH WIRE	
57	4201.424	DISPLAY BOARD	
58	4201.293	DISPALY BOARD WIRES	
59	4201.427	PC-BOARD	
60	4290.021	SPACERS	
61	4201.079	POWER CORD	
62	4260.002	PUMP	
63	4201.297	ANTI-TILT WIRES	
64	4201.027	PC-BOARD SUPPORT	
65	4260.110	ANTI-TILT SWITCH	
66	4290.003	CABLE FEEDTHROUGH	
67	4290.003	CABLE FEEDTHROUGH	
68	4201.135	BURNER COMPONENTS BRACKET	
69	4290.052	CABLE FEEDTHROUGH	
70	4290.055	CABLE FEEDTHROUGH	
71	4260.003	COMBUSTION MOTOR	
72	4260.009	HIGH TENSION TRANSFORMER POWER CORD	
73	4260.253	HIGH TENSION TRANSFORMER	
74	4201.089	HIGH TENSION WIRES	
75	4201.330	RESET WIRES	
76	4110.394	FIBER WASHER	
77	4201.035	ELECTRODES	
78	4110.393	ELASTIC WASHER	
79	4160.601	SCREW	
80	4260.233	RESET SWITCH	
81	4201.327	RESET SWITCH BRACKET	
82	4290.052	CABLE FEEDTHROUGH	
83	4201.260	PHOTOCELL	
84	4201.259	PHOTOCELL BRACKET	

RECOMMENDED PARTS LIST

POS.	Code NR	Description	Rev. - - Sept. 2016
3	4201.045	RADIATION DISK	
4	4201.038	COMBUSTION CHAMBER	
7	4201.044	INSULATION CILINDER	
11	4&*&"&)" (SAFETY THERMOSTAT	
21	4290.025	OIL FILTER	
27	4100.054	TANK CAP	
34	4260.000	VENTILATION MOTOR	
40	4260.001	NOZZLE	
57	4201.424	DISPLAY BOARD	
59	4201.427	PC-BOARD	
62	4260.002	PUMP	
65	4260.110	ANTI-TILT SWITCH	
73	4260.253	HIGH TENSION TRANSFORMER	
83	4201.260	PHOTOCELL	