

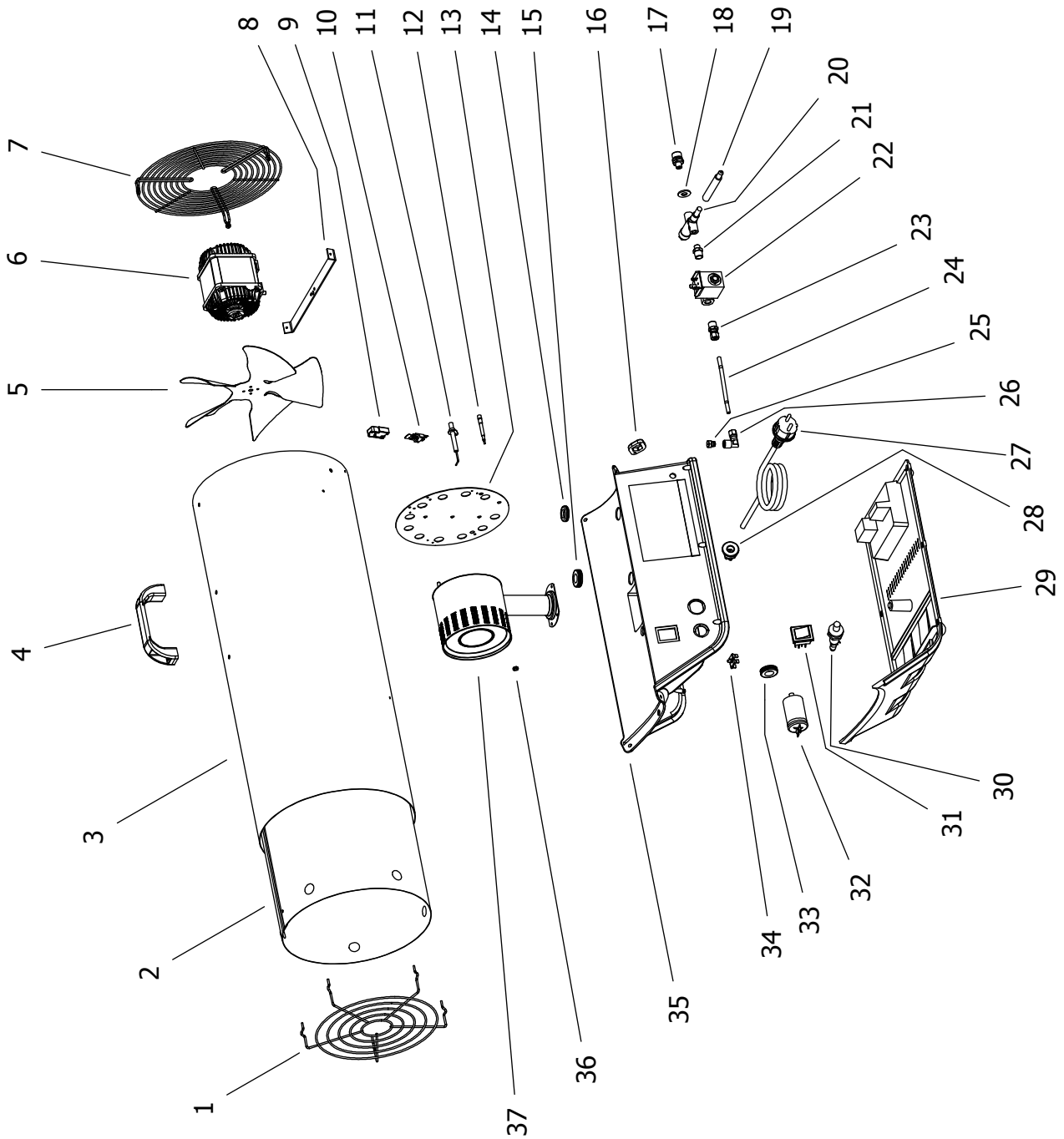
BLP 73 M MODEL 2012

UNIT 1

ILLUSTRATED PARTS BREAKDOWN

From Serial Number: 332013619

Edizione 2012
Rev. A



Pos.	Code NR	Description
1	4160.740	OUTLET GRID
2	4162.749	COMBUSTION CHAMBER
3	4162.746	COVER
4	4162.893	PLASTIC HANDLE
5	4162.745	FAN
6	(*)	MOTOR
7	4160.739	INLET GRID
8	4162.733	MOTOR BRACKET
9	4162.909	SAFETY THERMOSTAT COVER
10	4162.910	SAFETY THERMOSTAT
11	4160.731	IGNITION ELECTRICAL FOLDER
12	4106.042	INTERRUPTED THERMOCOUPLE
13	4162.870	BURNER PLATE
14	4160.646	GROMMET
15	4160.646	GROMMET
16	4161.854	BLOCK FOR NOZZLE
17	4160.048	GAS INLET NOZZLE
18	4160.283	WASHER
19	4162.479	VALVE ROD
20	4160.688	SAFETY VALVE
21	4160.299	REDUCTION NIPPLES
22	4160.963	ELECTROVALVE
23	4160.962	REDUCTION NIPPLES
24	4162.724	COPPER TUBE
25	4160.770	GAS NOZZLE
26	4160.967	ELBOW
27	4160.539	POWER CORD
28	4160.635	KEEPER WIRE
29	4162.853	LOWER PLASTIC BASE
30	4162.222	PIEZO IGNITOR
31	4160.637	SWITCH
32	(*)	CAPACITOR
33	4160.646	GROMMET
34	4160.639	RIVET POP
35	4162.719	UPPER PLASTIC BASE
36	4106.043	THERMOCOUPLE NUT
37	4160.467	GAS BURNER
(*)	4160.958	MOTOR
	4110.293	CAPACITOR 5 μ F
	4160.047	MOTOR
	4110.294	CAPACITOR 8 μ F